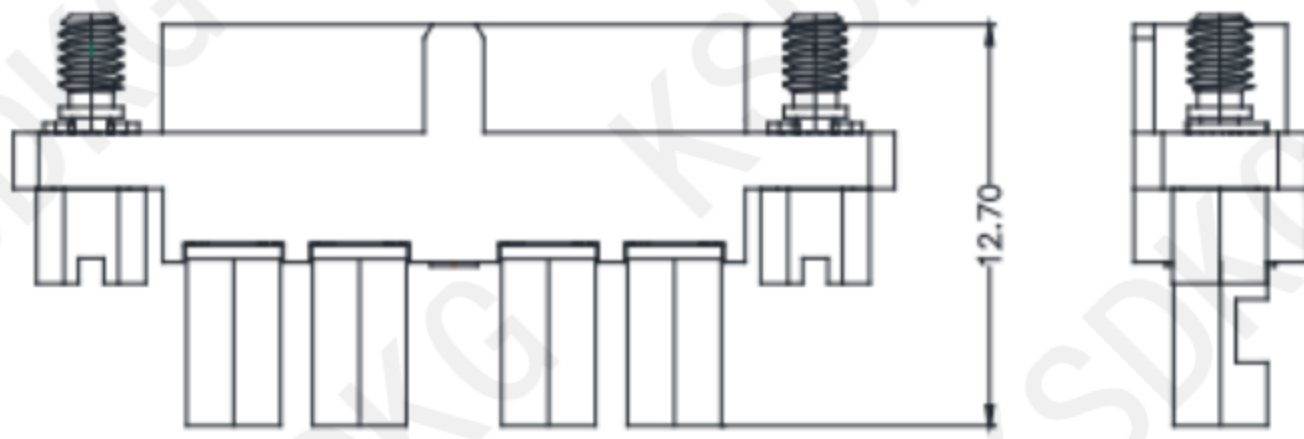
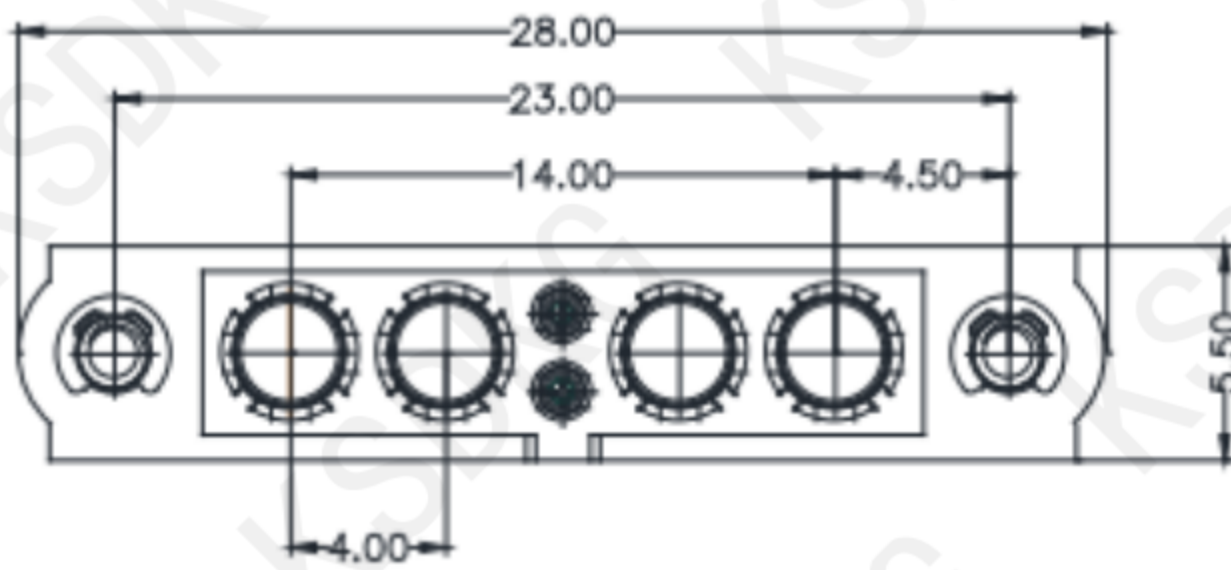


# KSD-MPMX75XX01 FEMALE

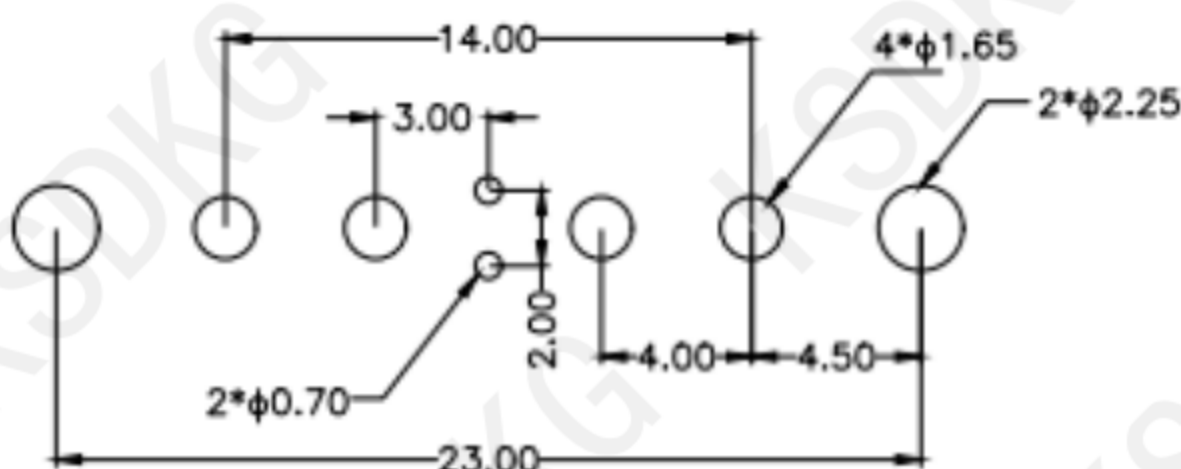


**KSD-MPMX75XX01**



## 安装开口尺寸

### Mounting Interface Design



Recommended PCB Layout  
Tolerance:±0.05

●触点间距 Contact Pitch:2.00mm/4.00mm

●电缆导线尺寸 Cable Conductor Size: 24-28AWG +14AWG

●行数Number of Rows: 混合 Mixed

●连接器方向Connector Orientation: 直线 Straight

### 产品描述Product Description

●信号触点 Signal Contact: 铜合金 Copper Alloy

●电源触点 Power Contact: 铜合金 Copper Alloy

●螺杆 Jackscrew: 不锈钢 Stainless steel

●绝缘材料Insulator: Glass filled PPS

●电镀 Finish: 镍底镀金 Au&Ni

### 性能参数Specification

●芯数 Pins: 根据需求进行灵活性混合搭配

●阻燃等级 Flame retardant grade: UL94V-0

●插拔寿命 Mechanical Operations: 500 Operations

●工作温度 Range temperature: -55C ~+125C

●工作电压 Working Voltage: 800 V AC/DC

●耐电压 ProofVoltage: 1200 V AC/DC

	Signal Contact	Power Contact
●接触电阻 Contact Resistance	< 25 mΩ	< 6 mΩ
●额定电流 Current Rating	3A Max @25°C, 2.2A Max @85C	15A Max with 14AWG
●插入力 Insertion Force	2N Max	8N Max
●拔出力 Withdrawal Force	0.2N Min	0.5N Min

●绝缘电阻 Insulation Resistance: >100mΩ

●连接类型 Connection Type: 电缆(焊接+压接)  
Cable(Solder + Crimp)

### 应用领域 Application

●航空航天, 通信设备、充电设备、以及储能等电源模块的功率、信号传输

● Power and signal transmission in power modules for aerospace, communication equipment, charging equipment, and energy storage