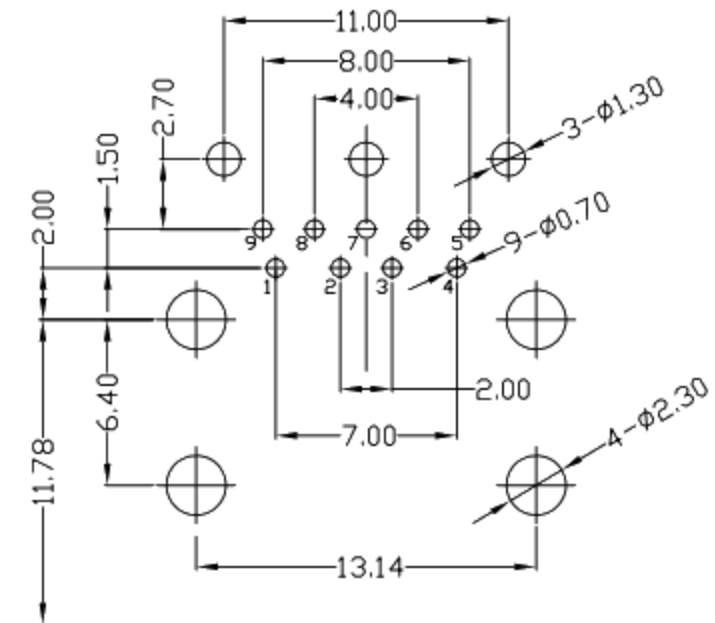
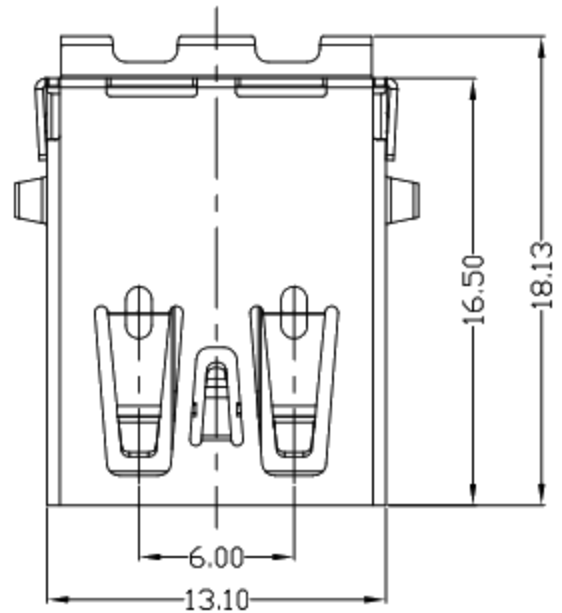


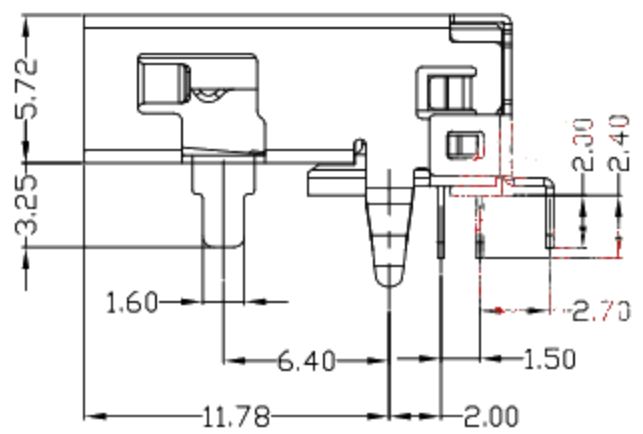
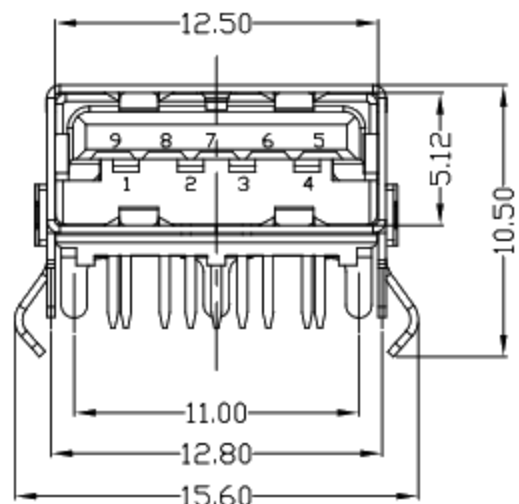


RoHS  
Compliant  
2002/95/EC

REV.	ECN.	NO.	APPD.



RECOMMEND PCB LAYOUT



- NOTES:
- ELECTRICAL:
    - VOLTAGE CURRENT RATING: 1.8AMP, 30V AC;
    - INSULATION RESISTANCE: 100MΩ MIN;
    - CONTACT RESISTANCE: 30mΩ MAX;
    - WITHSTANDING VOLTAGE: 100V AC;
    - OPERATING TEMPERATURE: -55°C TO +85°C.
  - Mechanical:
    - Mating Force: 35N MAX
    - Unmating Force: 10N MIN.
  - DIMENSIONS MARKED "▼" TO BE CHECKED BY Q.C & IPQC.
  - PART NO.

- |            |          |
|------------|----------|
| 1: Au 1U*  | W: WHITE |
| 5: Au 15U* | B: BLACK |
| 6: Au 30U* | BL: BLUE |
| T: TIN     | 1: PBT   |
| N: NICKEL  | 2: PA6T  |
|            | 3: PA9T  |
|            | 4: LCP   |

Bill of materials:

NO	PARTS	MATERIAL	QTY	FINISHING
4	HOUSING	PBT+30%GF	1	UL94V-0
3	SHELL	COPPER ALLOY	1	PLATED TIN/NICKEL
2	TERMINAL	COPPER ALLOY	5	PLATED GOLD/TIN
1	TERMINAL	COPPER ALLOY	4	PLATED GOLD/TIN

X.	X.* ±2'	UNITS	mm
.X ±0.3	.X* ±1'	MAT'L	SEE NOTE
.XX ±0.25	.XX*	FINISH	SEE NOTE
.XXX ±0.15	.XXX*	Q'TY	SEE NOTE

THESE DRAWINGS AND SPECIFICATIONS ARE THE PROPERTY OF ACCURATE INNO TECH INC AND SHALL NOT BE REPRODUCED, COPIED OR USED IN ANY MANNER WITHOUT THE PRIOR WRITTEN CONSENT OF ACCURATE INNO TECH INC

**廣東科斯達電子科技有限公司**

TITLE: LSR AP3.0 单层90度 半(1) 7脚插板	PART NO.:
DR: gan 2017/3/15	DWG NO.:
CHKD: gan 2017/3/15	SCALE SHEET REV. CUSTOMER DRAWING
APPD:	1:1 1/1 B