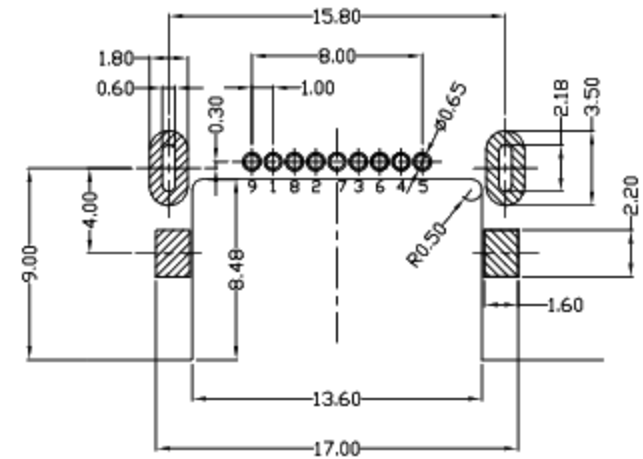
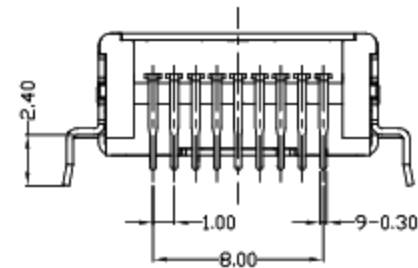
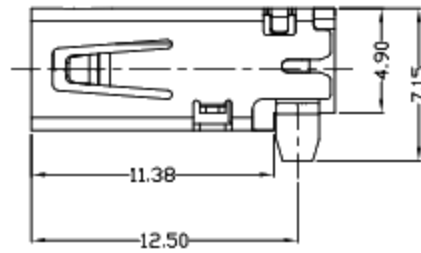
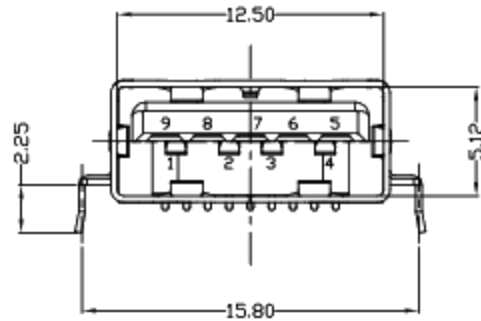
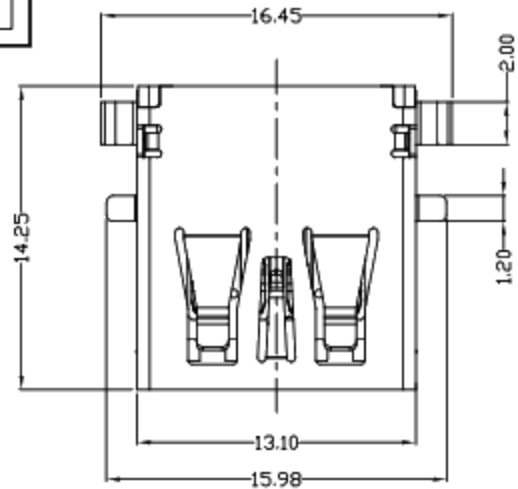


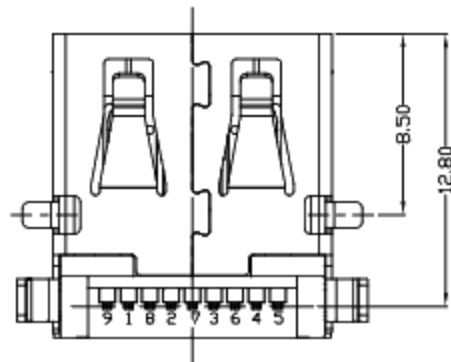


RoHS
Compliant
2002/95/EC

REV.	ECN. NO.	APPD.



RECOMMENDED PCB LAYOUT(1.0~1.60±0.05)



NOTES:

- 1) ELECTRICAL:
 - 1) VOLTAGE CURRENT RATING:1.5AMP,30V AC;
 - 2) INSULATION RESISTANCE: 1000MΩ MIN;
 - 3) CONTACT RESISTANCE: 30mΩ MAX;
 - 4) WITHSTANDING VOLTAGE: 500V AC;
 - 5) OPERATING TEMPERATURE:-25°C TO +85°C.
- 2) Mechanical:
 - 1) Mating Force: 35N MAX
 - 2) Unmating Force: 10N MIN.
- 3) NOTE:1.DIMENSIONS MARKED "*" TO BE CHECKED BY Q.C & IPQC.

4.PART NO.

1Au 1U*
5Au 15u*
6Au 30U*

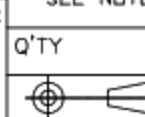
W:WHITE
B:BLACK
BL:BLUE
1-PBT
2-PA6T
3-PA9T
4-LCP

Bill of materials:

NO	PARTS	MATERIAL	QTY	FINISHING
4	HOUSING	LCP+30%GF	1	UL94V-0
3	SHELL	COPPER ALLOY	1	PLATED NICKEL
2	TERMINAL(4P)	COPPER ALLOY	4	PLATED GOLD/TIN
1	TERMINAL(5P)	COPPER ALLOY	5	PLATED GOLD/TIN

X	X*	UNITS
±0.35	±2*	mm
±0.3	±1*	MAT'L
±0.25	*	SEE NOTE
±0.15	*	FINISH
		SEE NOTE
		Q'TY

THESE DRAWINGS AND SPECIFICATIONS ARE THE PROPERTY OF ACCURATE INNOTECH INC AND SHALL NOT BE REPRODUCED, COPIED OR USED IN ANY MANNER WITHOUT THE PRIOR WRITTEN CONSENT OF ACCURATE INNOTECH INC



廣東科斯達電子科技有限公司

TITLE: USB 3.0 AF 銅板 04.90 DIP 无卷边 藍胶	PART NO.:
DR: gan 2018/07/12	DWG NO.:
CHKD: gan 2018/07/12	SCALE SHEET REV. CUSTOMER DRAWING
APPD:	1:1 1/1 B