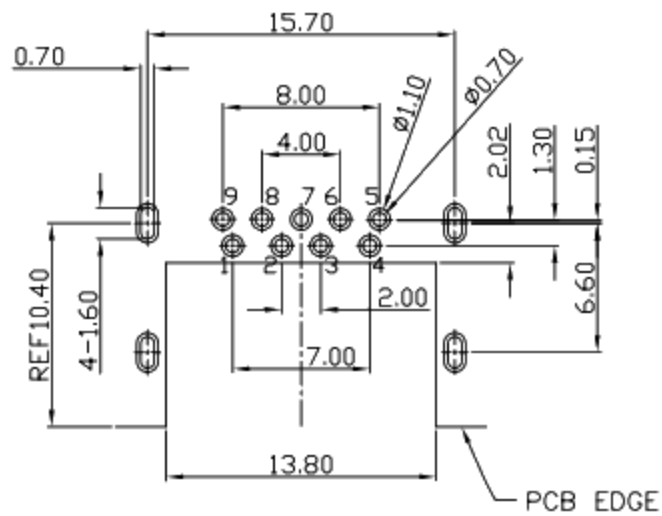
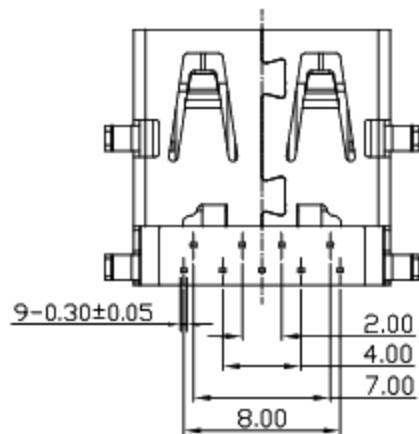
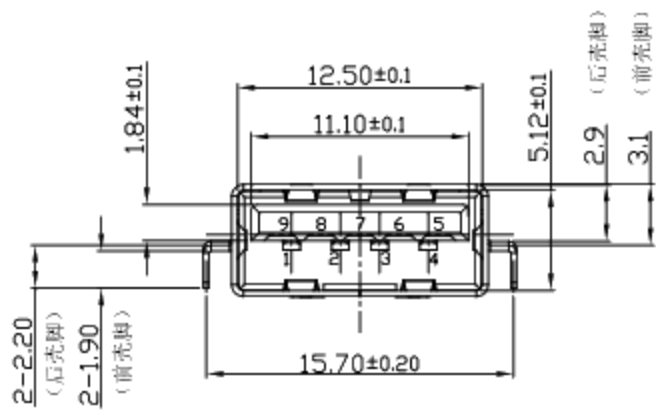
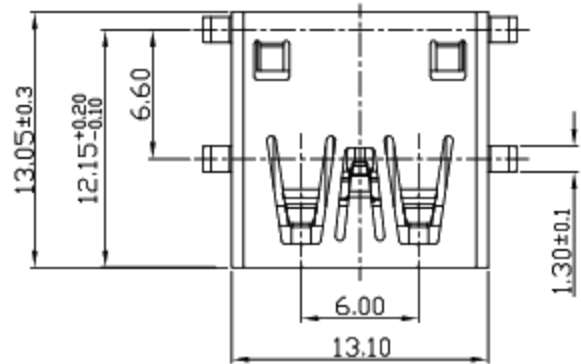


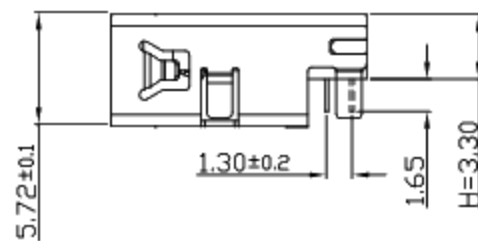


RoHS
Compliant
2002/95/EC

REV.	ECN.	NO.	APPD.



TOLERANCE: ±0.05, THICKNESS: 1.2 mm
RECOMMENDED PCB LAYOUT



Pin #	SIGNAL NAME
1	VBUS
2	D-
3	D+
4	GND
5	StdA_SSRX-
6	StdA_SSRX+
7	GND_DRAIN
8	StdA_SSTX-
9	StdA_SSTX+
Shell	Shield

NOTES:

- ELECTRICAL:**
 - VOLTAGE CURRENT RATING: 1.5AMP, 30V AC;
 - INSULATION RESISTANCE: 1000MΩ MIN;
 - CONTACT RESISTANCE: 30mΩ MAX;
 - WITHSTANDING VOLTAGE: 500V AC;
 - OPERATING TEMPERATURE: -40°C TO +85°C.
- Mechanical:**
 - Mating Force: 35N MAX
 - Unmating Force: 10N MIN.
 - Durability: 5,000 cycles
- DIMENSIONS MARKED "▼"**
TO BE CHECKED BY Q.C & IPQC.

4.PART NO.

1Au 10u"	W/WHITE
5Au 15u"	B/BLACK
6Au 30u"	BL/BLUE
	1PBT
	2PA6T
	3PA9T
	4LCP

Bill of materials:

NO	PARTS	MATERIAL	QTY	FINISHING
4				X. ±0.35 X.* ±2* UNITS mm
3	HOUSING	LCP+30%GF	1	UL94V-0 .X ±0.3 .X* ±1* MAT'L
2	SHELL	COPPER ALLOY	1	PLATED NICKEL .XX ±0.25 .XX* SEE NOTE
1	TERMINAL	COPPER ALLOY	9	PLATED GOLD/TIN .XXX ±0.15 .XXX* FINISH
				SEE NOTE Q'TY

廣東科斯達電子科技有限公司

TITLE: USB 3.0 AF 沉板 无卷边 L=13.0mm CL=0.50mm	PART NO.:
DR: Ricky 2017/11/8	DWG NO.:
CHKD: Ricky 2017/11/8	SCALE SHEET REV. CUSTOMER DRAWING
APPD:	1:1 1/1 B

THESE DRAWINGS AND SPECIFICATIONS ARE THE PROPERTY OF ACCURATE INNOTECH INC AND SHALL NOT BE REPRODUCED, COPIED OR USED IN ANY MANNER WITHOUT THE PRIOR WRITTEN CONSENT OF ACCURATE INNOTECH INC