

Fuse holder for overload protection

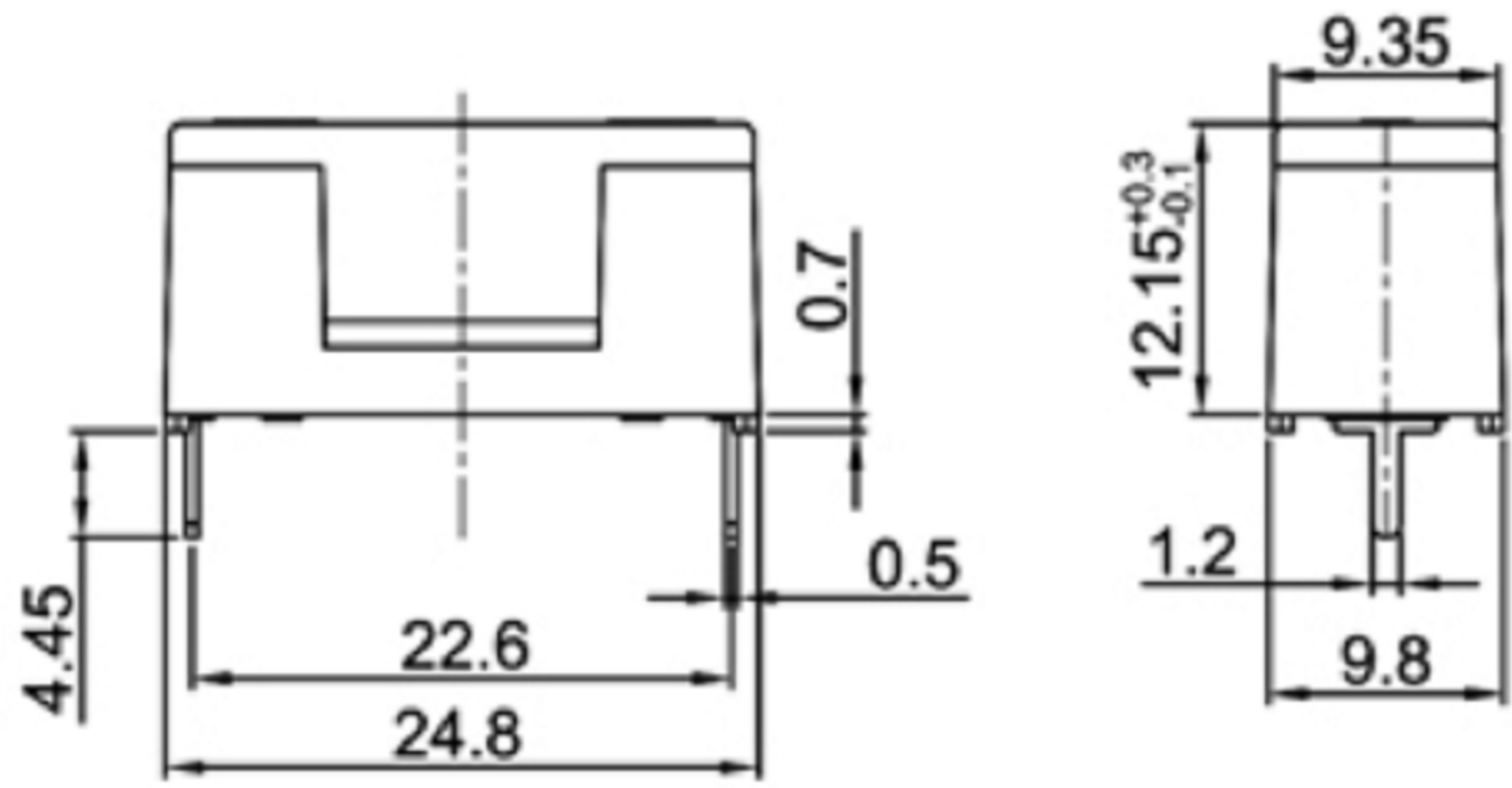
Rating: 10A 250VAC

Fuse: $\varnothing 5.0 \times 20 \text{mm}$ 

Operating Temperature: $-20^{\circ}\text{C} \sim +70^{\circ}\text{C}$

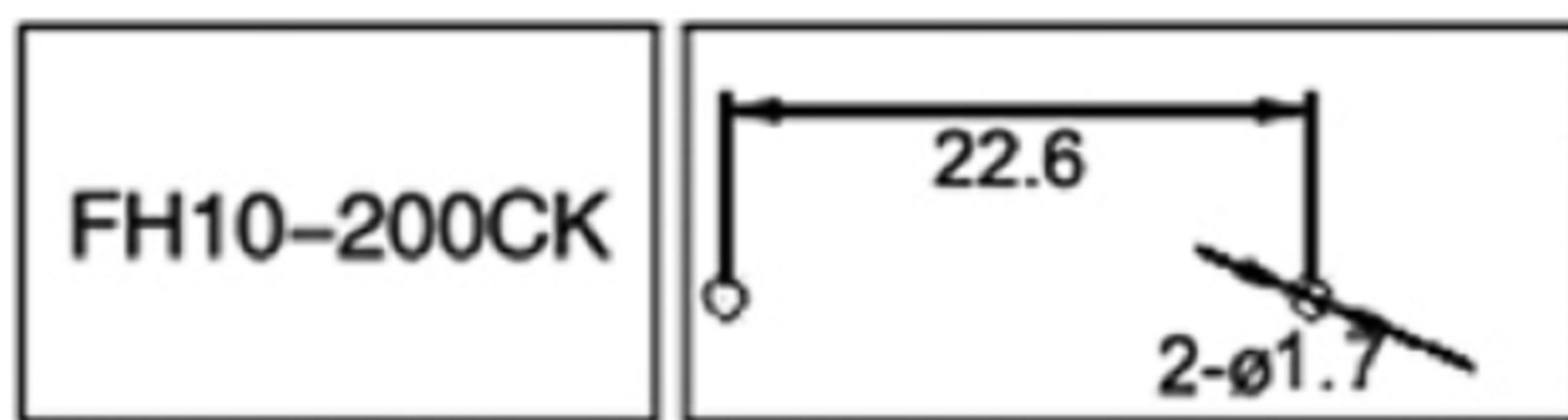

Dielectric Strength: 1500VAC 1 minute

Welding method: Manual Soldering ($350^{\circ}\text{C} \pm 5^{\circ}\text{C}$, $3\text{s} \pm 0.5\text{s}$)
:Wave-soldering



MATERIAL:

Housing: PBT, UL rated 94V0 min
 Bayonet: PBT, UL rated 94V0 min
 Terminal: Phosphor bronze, silver or tin plated

广东科斯达电子科技有限公司
GUANG DONG KE SI DA ELECTRONIC TECHNOLOGY CO., LTD.

TOLERANCE UNLESS OTHERWISE STATED:	Up to 5	± 0.2	3RD. ANGEL'S	UNITS	MM
	Above 5 ~ 15	± 0.3			
	Above 15 ~ 30	± 0.4			
	Above 30 ~ 50	± 0.5			
	Angle	$\pm 0.3^{\circ}$			

DRAWN BY:	DATE	MAT'L	TITLE	SWITCH
Jack Lu	12/27/22			
CHECKED BY:	DATE	FINISH	MODLE	TACT SWITCH WITH LED
Jacky Chen	12/27/22			
APPROVED BY:	DATE	SCALE	DWG NO.	SIZE
Tony Kao	12/27/22	1 : 1		A4
		SHEET NO.	PART NO.	VER
		1 of 1		R

ITEM NO.	DESCRIPTION	DRAWN	DATE