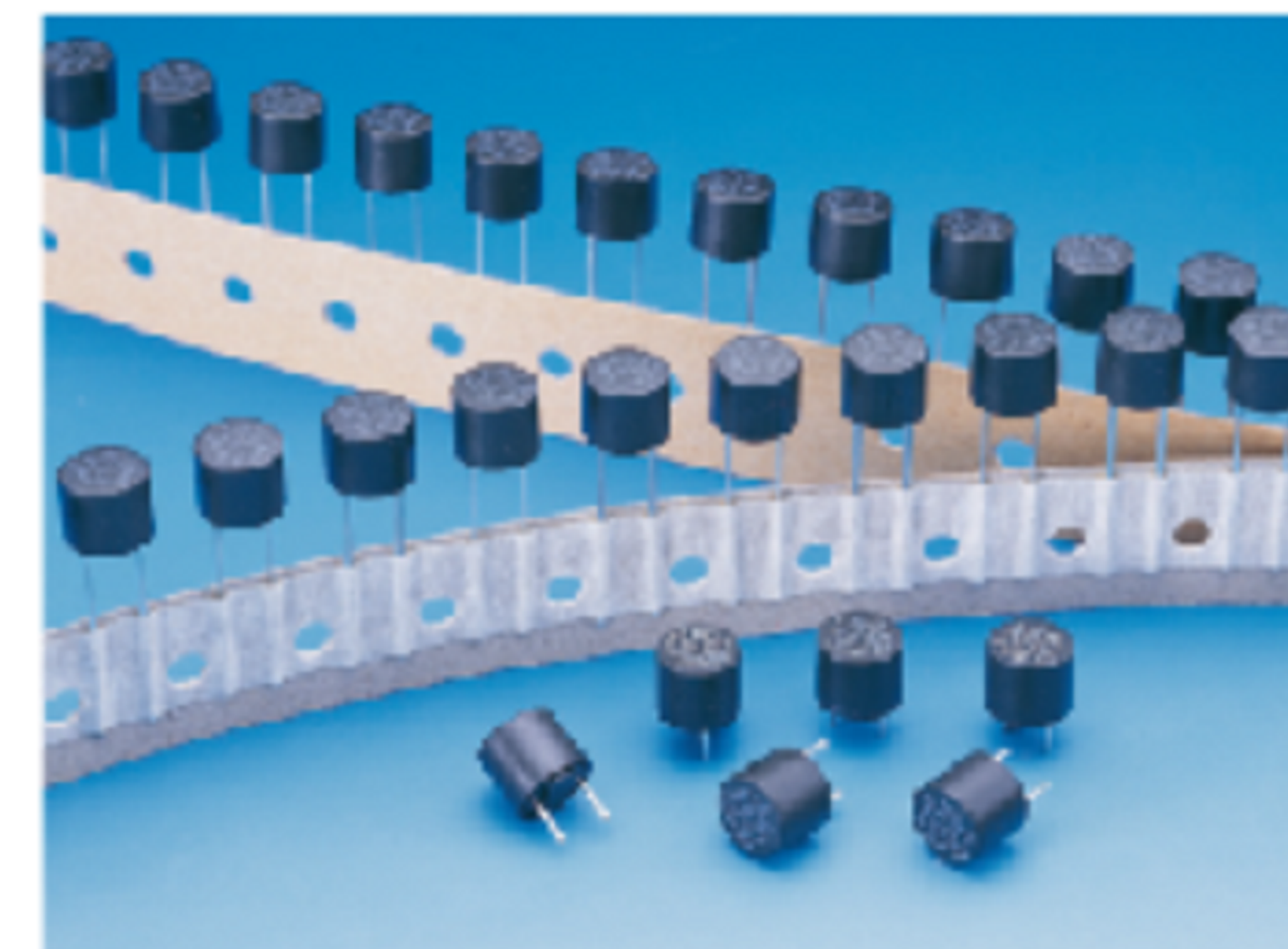


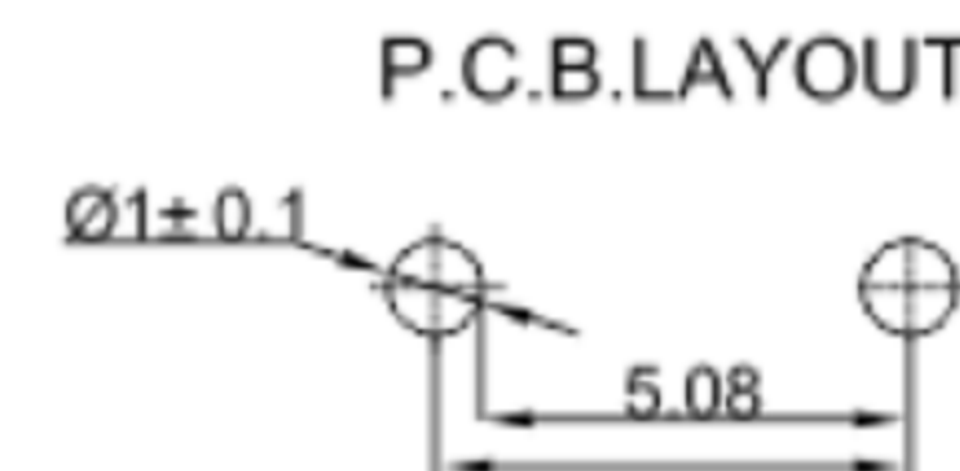
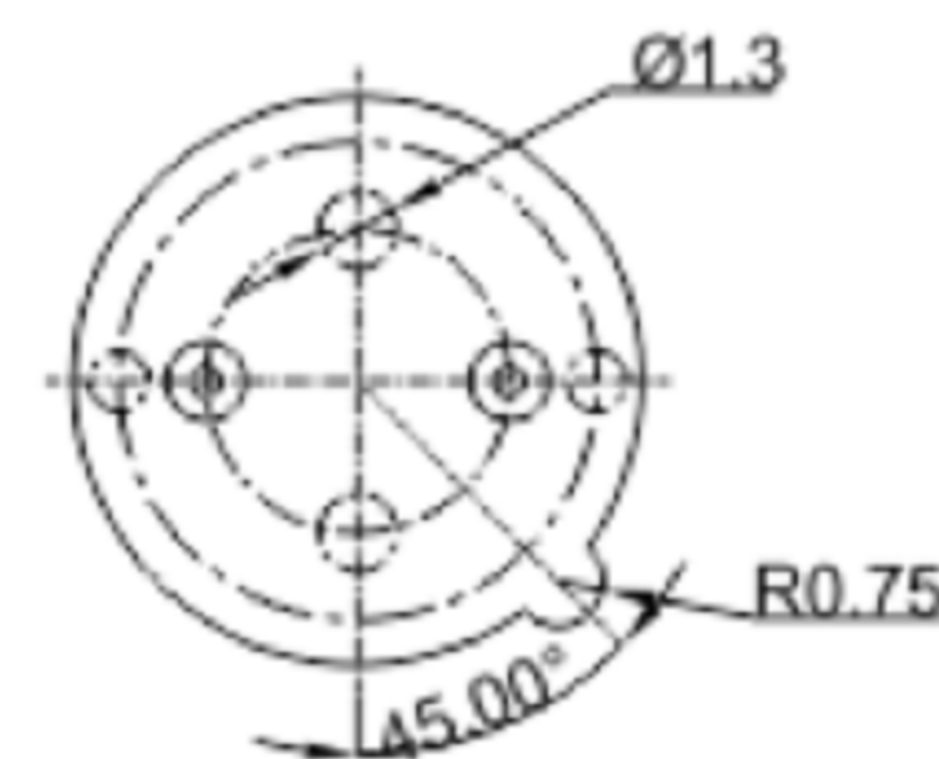
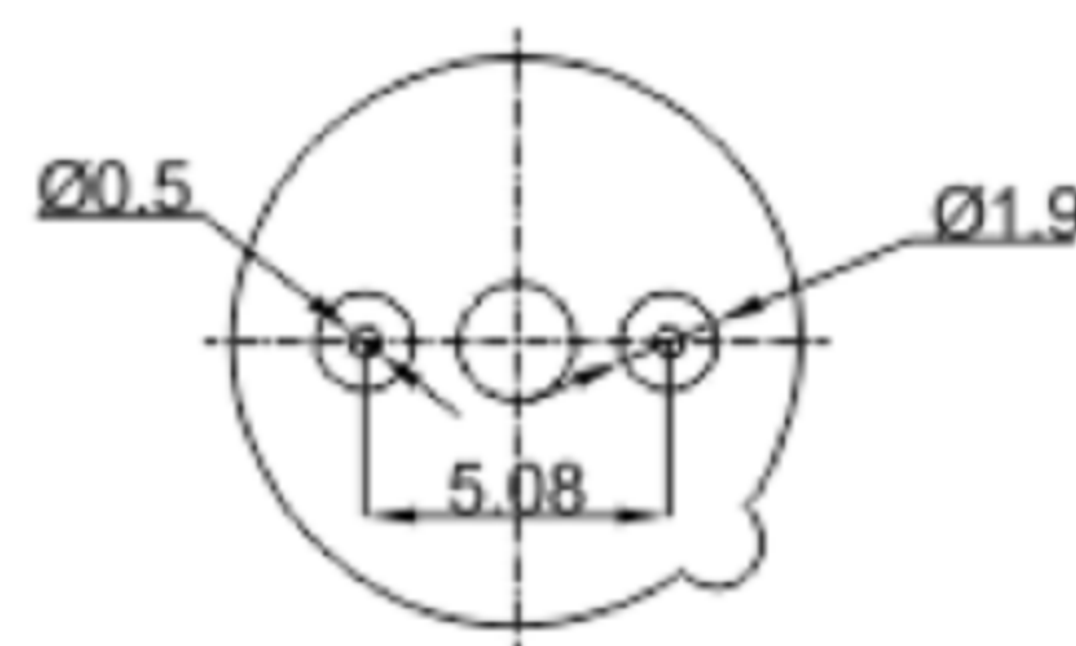
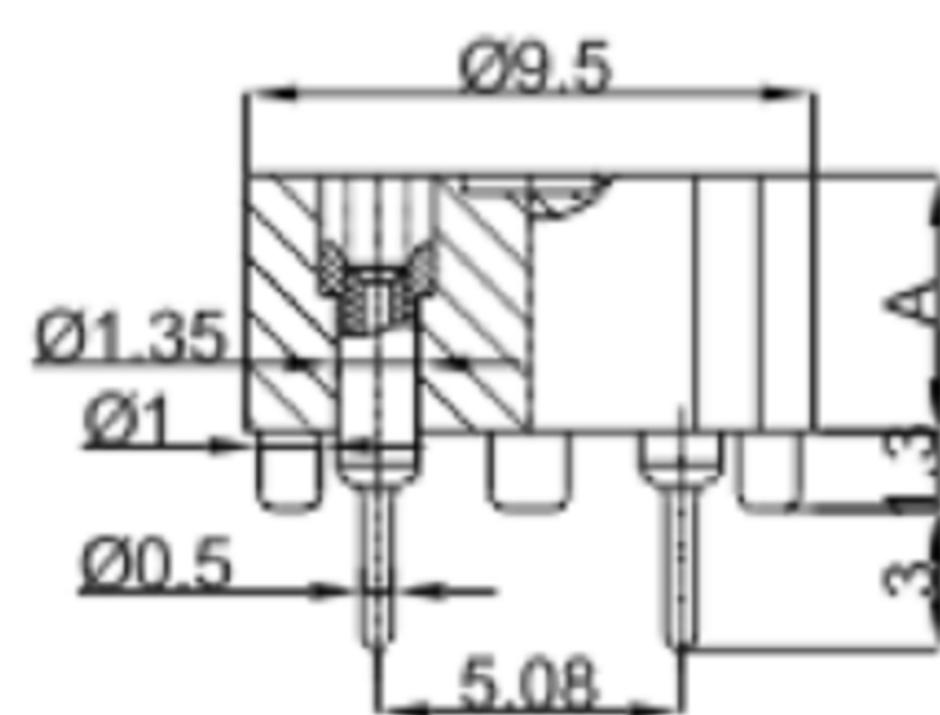


Housing : Glass filled polyester UL94-V0
 Insulation Resistance: 103MΩ at V=100V
 Temperature Range: -55°C to 125°C
 Contact: Beryllium copper, Heat treated
 Plating: Nickel / Tin
 Max. Current Rating: 6.3A
 Contact Resistance: < 4mΩ
 Insertion Force: < 200g
 Withdrawal Force: > 50g



MET FUSE

Dim A	
FB-560A	3.0mm
FB-560B	4.3mm



 **广东科斯达电子科技有限公司**
 GUANG DONG KE SI DA ELECTRONIC TECHNOLOGY CO., LTD.

TOLERANCE UNLESS OTHERWISE STATED :
 Up to 5 ±0.2
 Above 5 ~ 15 ±0.3
 Above 15 ~ 30 ±0.4
 Above 30 ~ 50 ±0.5
 Angle ±0.3

3RD. ANGEL'S

UNITS MM

DRAWN BY:	DATE	MAT'L	TITLE	SWITCH
Jack Lu	12/27/22			
CHECKED BY:	DATE	FINISH	MODLE	TACT SWITCH WITH LED
Jacky Chen	12/27/22			
APPROVED BY:	DATE	SCALE	DWG NO.	
Tony Kao	12/27/22	1 : 1		
		SHEET NO.	PART NO.	
		1 of 1		

ITEM NO.	DESCRIPTION	DRAWN	DATE

SIZE
A4
VER
R