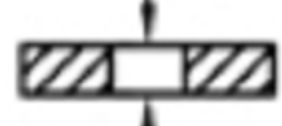


Fuse holder for overload protection
Screw-in mounting

Rating: 10A 250VAC

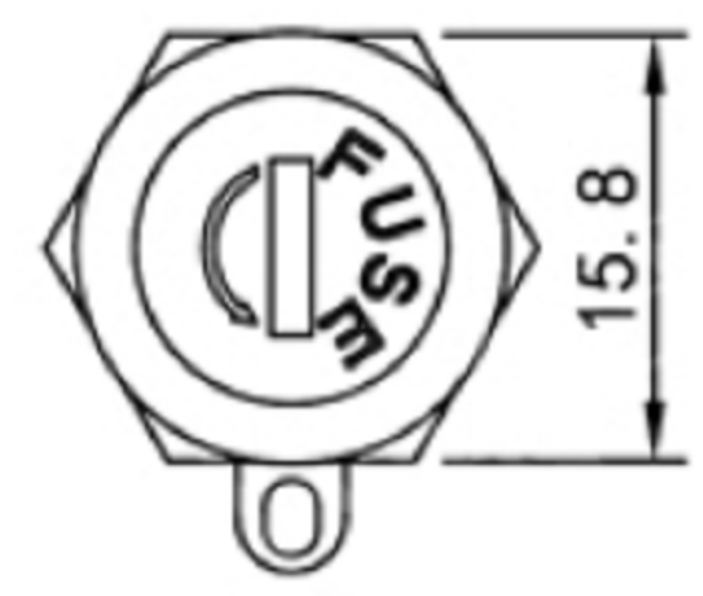
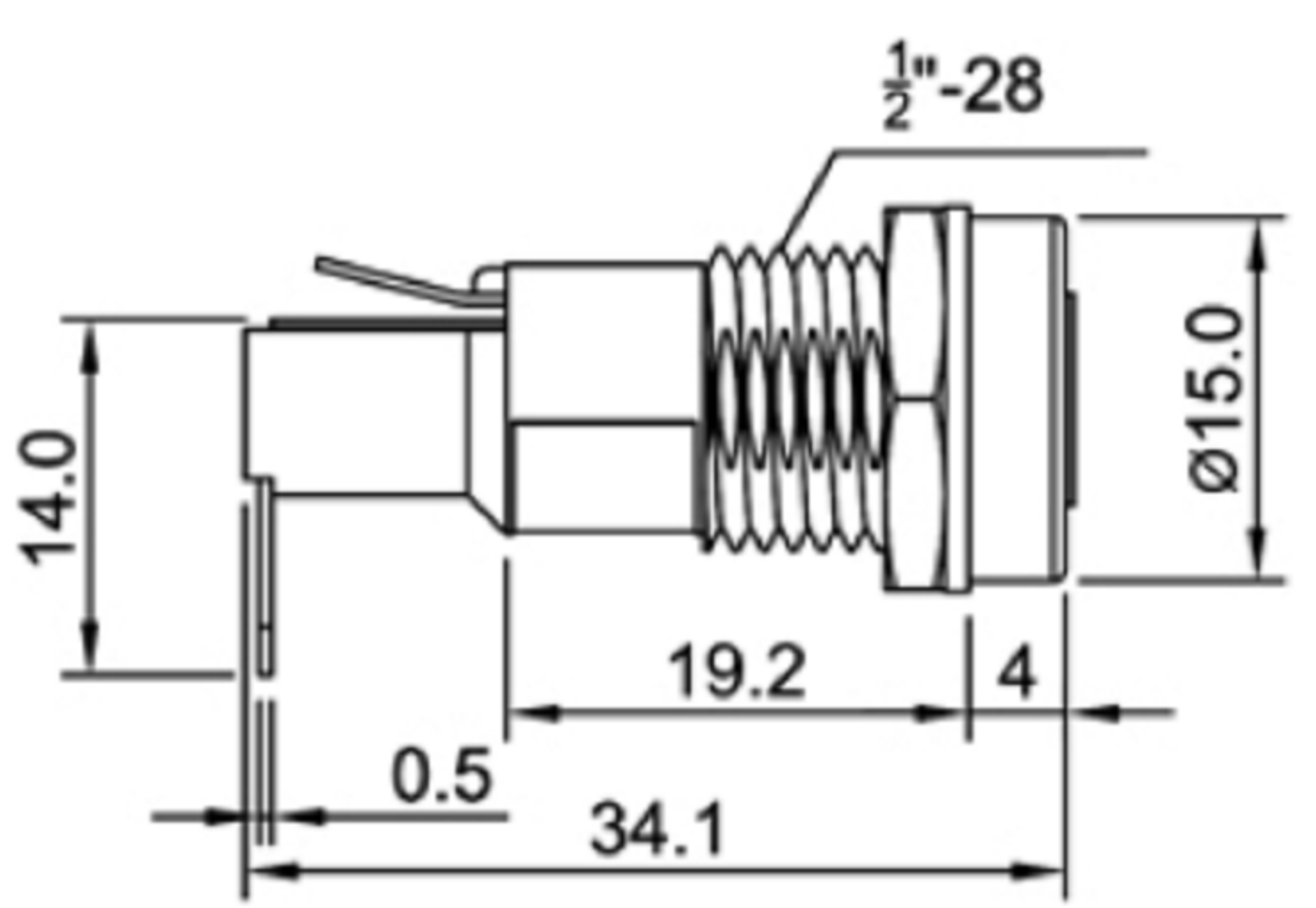
Fuse: Ø5.0x20mm 

Cap: Bayonet type

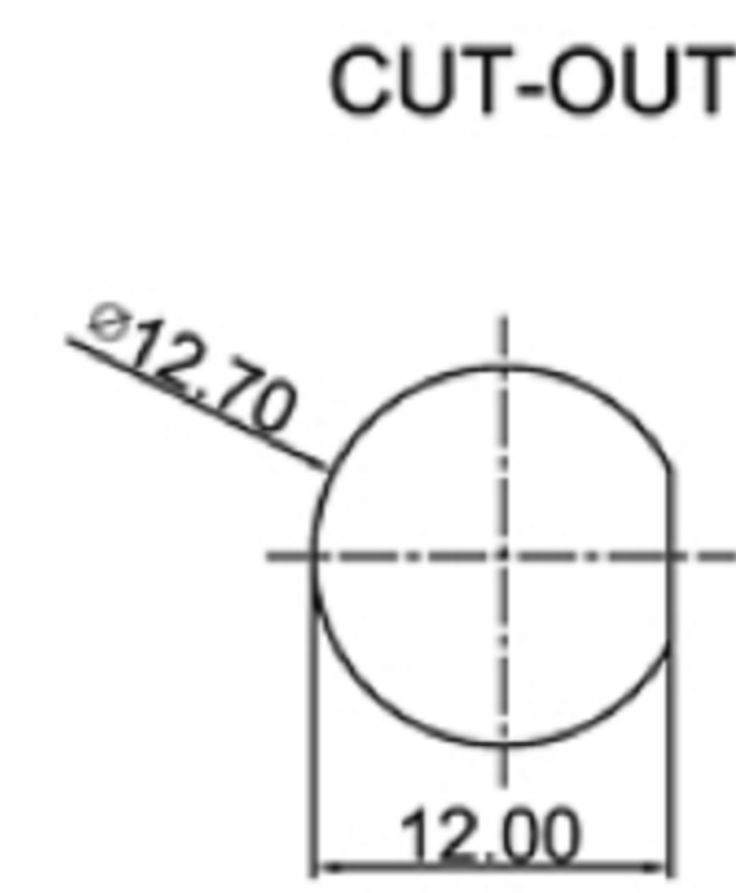
Panel thickness: 4.5mm max 

Operating Temperature: -10°C ~ +70°C

Welding method: Manual Soldering (350°C ± 5°C, 3s ± 0.5s)

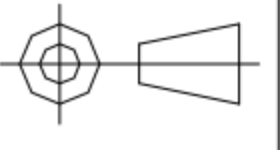


MATERIAL:
Housing: PBT, UL rated 94V0
Bayonet: PBT, UL rated 94V0
Terminal: Brass, silver plated
Nut: Zn Alloy, Ni plated



 **广东科斯达电子科技有限公司**
GUANG DONG KE SI DA ELECTRONIC TECHNOLOGY CO., LTD.

TOLERANCE UNLESS OTHERWISE STATED:
Up to 5 ±0.2
Above 5 ~ 15 ±0.3
Above 15 ~ 30 ±0.4
Above 30 ~ 50 ±0.5
Angle ±0.3

3RD. ANGEL'S 

UNITS MM

DRAWN BY:	DATE	MAT'L	TITLE	SWITCH
Jack Lu	12/27/22			
CHECKED BY:	DATE	FINISH	MODLE	TACT SWITCH WITH LED
Jacky Chen	12/27/22			
APPROVED BY:	DATE	SCALE	DWG NO.	SIZE
Tony Kao	12/27/22	1 : 1		A4
		SHEET NO.	PART NO.	VER
		1 of 1		R

ITEM NO.	DESCRIPTION	DRAWN	DATE