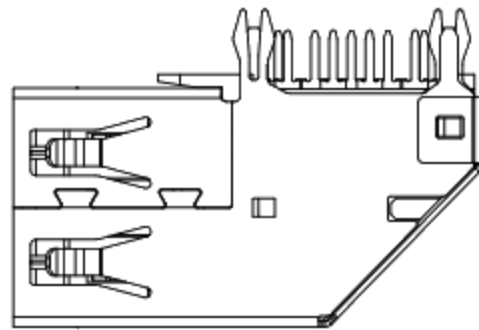


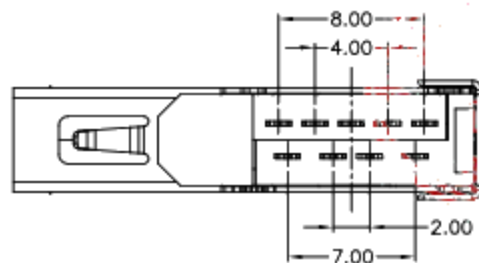
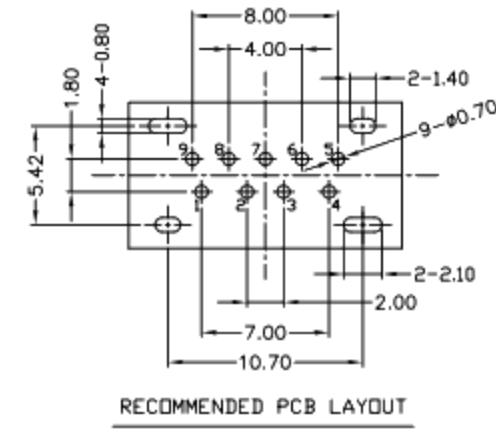
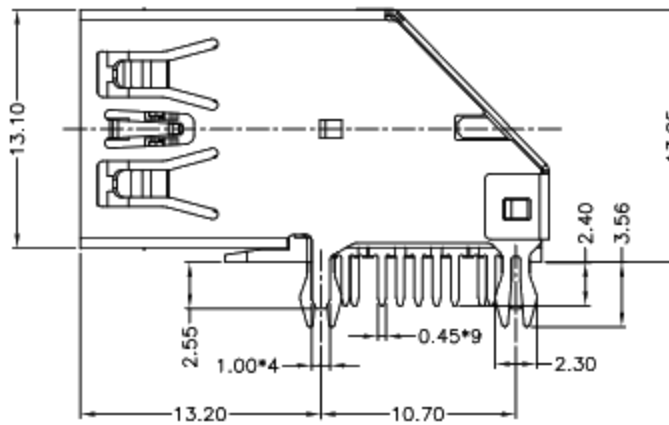
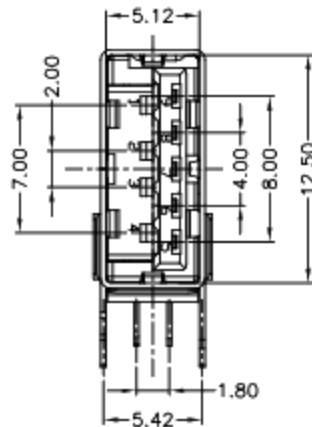
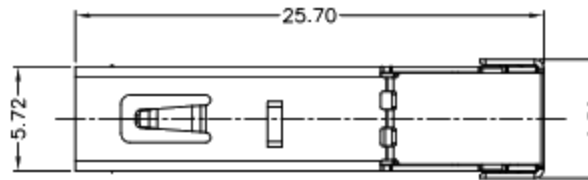


RoHS
Compliant
2002/95/EC

REV	LTR	DESCRIPTION	DATE	REVISER	APPD



PIN NUMBER	SIGNAL NAME
1	VBUS
2	D-
3	D+
4	GND
5	SSRX-
6	SSRX+
7	GND
8	SSTX-
9	SSRT+
Shell	Shield



NOTES:

- ELECTRICAL:
 - VOLTAGE CURRENT RATING: 1.8AMP, 30V AC;
 - INSULATION RESISTANCE: 100MΩ MIN;
 - CONTACT RESISTANCE: 30mΩ MAX;
 - WITHSTANDING VOLTAGE: 100V AC;
 - OPERATING TEMPERATURE: -55°C TO +85°C.
- Mechanical:
 - Mating Force: 35N MAX
 - Unmating Force: 10N MIN.
- NOTE: DIMENSIONS MARKED "▼" TO BE CHECKED BY Q.C & IPQC.

4. PART NO.

1: Au 1U*	W: WHITE
5: Au 15U*	B: BLACK
6: Au 30U*	BL: BLUE
	1-PBT
	2-PA6T
	3-PA9T
	4-LCP

Bill of materials:

NO	PARTS	MATERIAL	QTY	FINISHING	X	X*	UNITS	廣東科斯達電子科技有限公司							
4	SHELL	STAINLESS STEEL	1	PLATED NICKEL	X ±0.35	X* ±2'	mm	TITLE: USB 3.0 90度 侧插式 外壳无卷边 小鱼叉插 成品图 DR: gan 2017/1/14 CHKD: gan 2017/1/14 APPD:							
3	HOUSING	LCP/PBT+30%GF	1	UL94V-0	.X ±0.3	.X* ±1'	MAT'L					PART NO.:			
2	TERMINAL2	COPPER ALLOY	4	PLATED GOLD/TIN	.XX ±0.25	.XX*	SEE NOTE								
1	TERMINAL1	COPPER ALLOY	5	PLATED GOLD/TIN	.XXX ±0.15	.XXX*	FINISH					SCALE SHEET REV. CUSTOMER DRAWING			
							SEE NOTE								
							Q'TY								

THESE DRAWINGS AND SPECIFICATIONS ARE THE PROPERTY OF ACCURATE INNOTECH INC AND SHALL NOT BE REPRODUCED, COPIED OR USED IN ANY MANNER WITHOUT THE PRIOR WRITTEN CONSENT OF ACCURATE INNOTECH INC