

Rating:

10A 250VAC max. 1.6W (ENEC)

10A 250VAC max. 1.6W (CCC)

Insulation Resistance: DC 500V 100MΩ Min

Dielectric Strength: AC 2000V 1minute

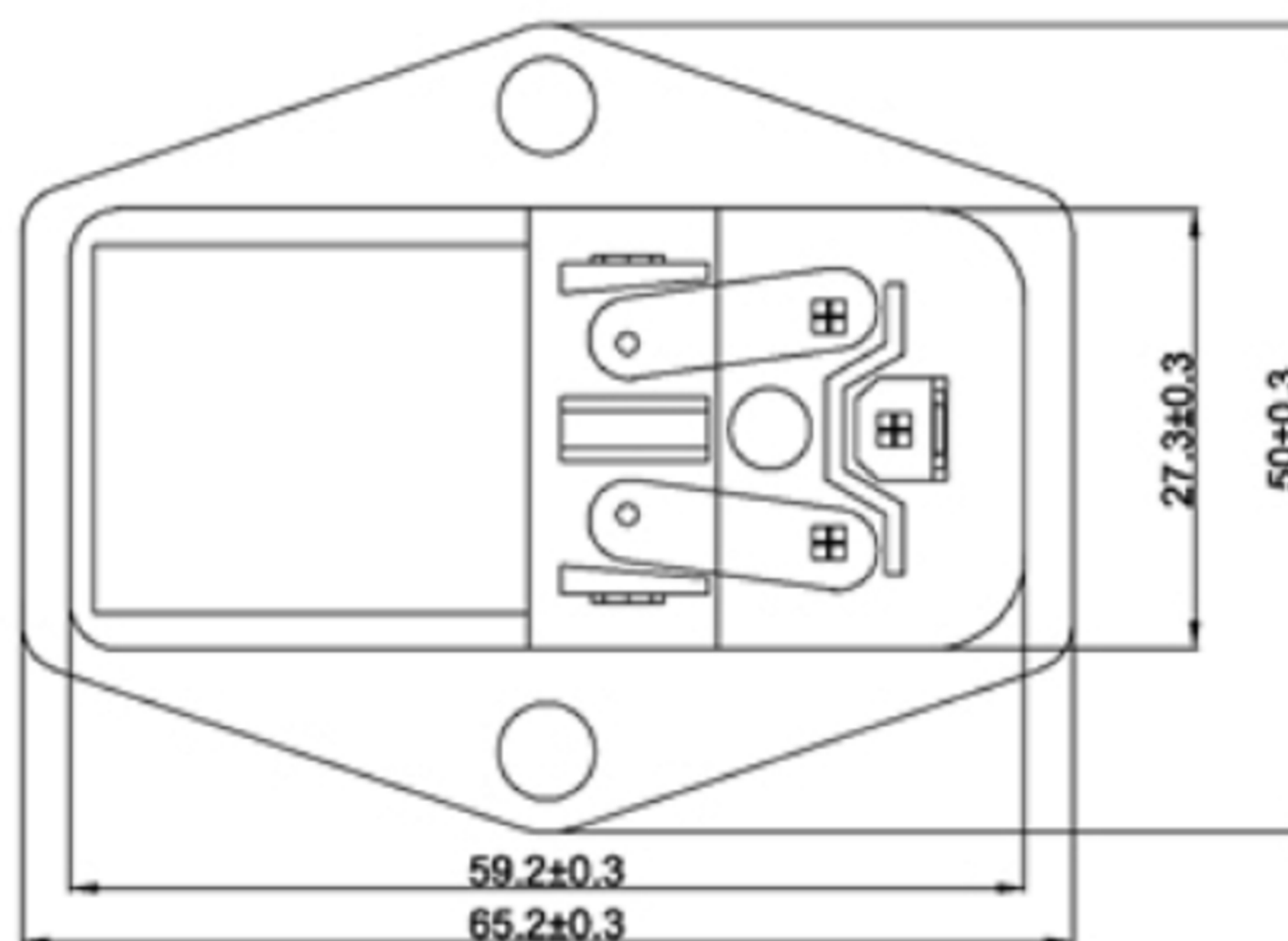
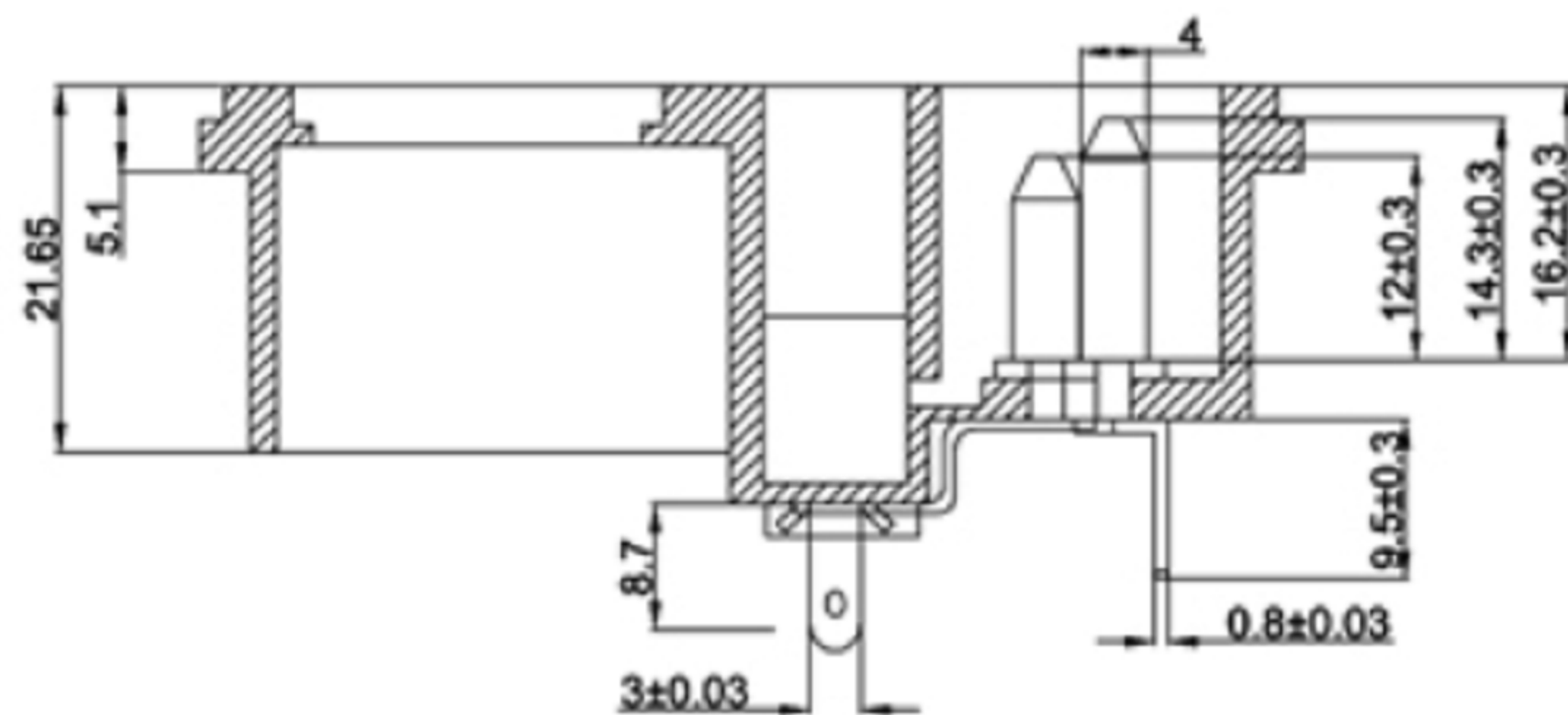
Fuse: Ø5.0x20mm

MATERIAL:

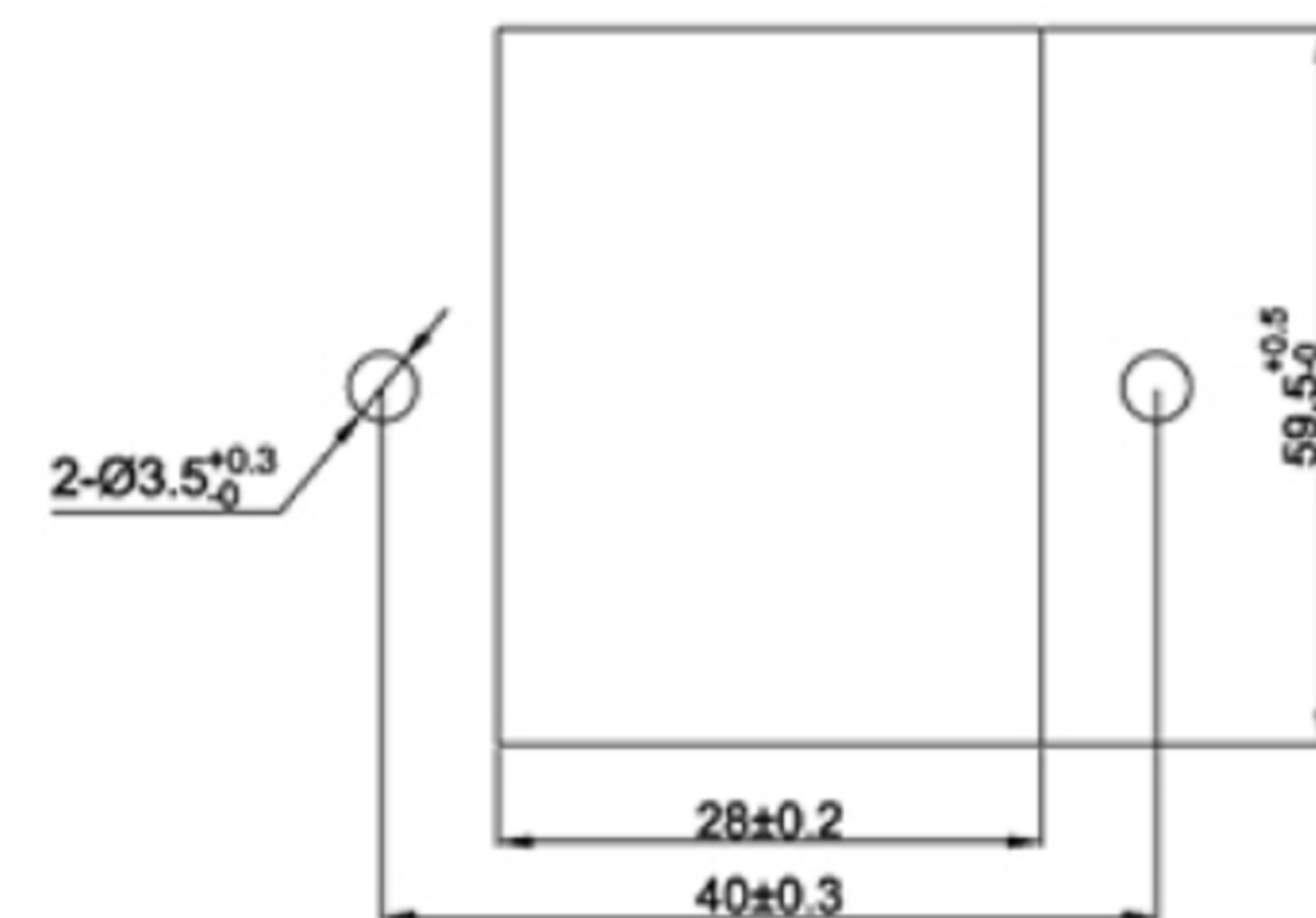
Base: PBT, UL rated: 94 V-0 Min;

Cap: PA66;

Terminal: Brass, Tin plated .



BOTTOM VIEW



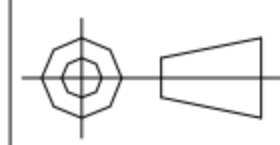
PANEL CUTOUT



广东科斯达电子科技有限公司
GUANG DONG KE SI DA ELECTRONIC TECHNOLOGY CO., LTD.

TOLERANCE UNLESS OTHERWISE STATED:
 Up to 5 ±0.2
 Above 5 ~ 15 ±0.3
 Above 15 ~ 30 ±0.4
 Above 30 ~ 50 ±0.5
 Angle ±0.3

3RD. ANGEL'S



UNITS MM

DRAWN BY:	DATE
Jack Lu	12/27/22
CHECKED BY:	DATE
Jacky Chen	12/27/22
APPROVED BY:	DATE
Tony Kao	12/27/22

MAT'L	TITLE	SWITCH
FINISH	MODLE	TACT SWITCH WITH LED
SCALE 1:1	DWG NO.	
SHEET NO. 1 of 1	PART NO.	

SIZE	A4
VER	R

ITEM NO.	DESCRIPTION	DRAWN	DATE