



Fuse holder for overload protection

Screw-in mounting

Rating: 10A 250VAC

2.5W/10A 250VAC

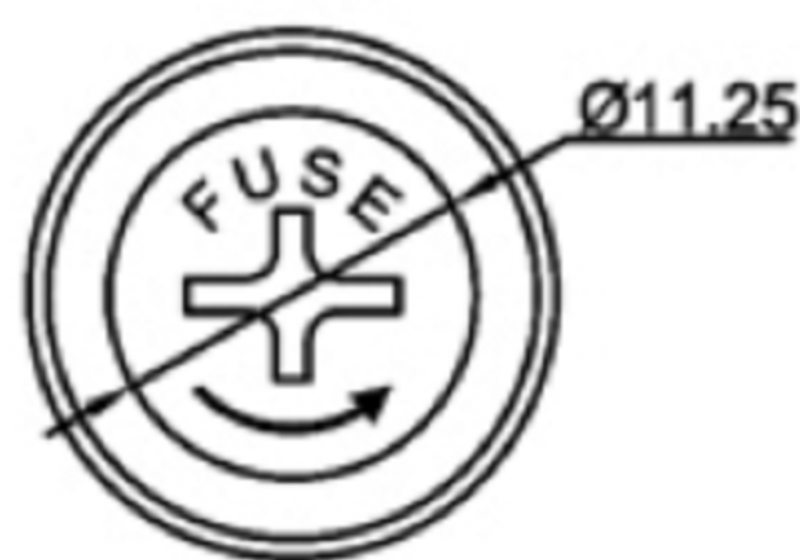
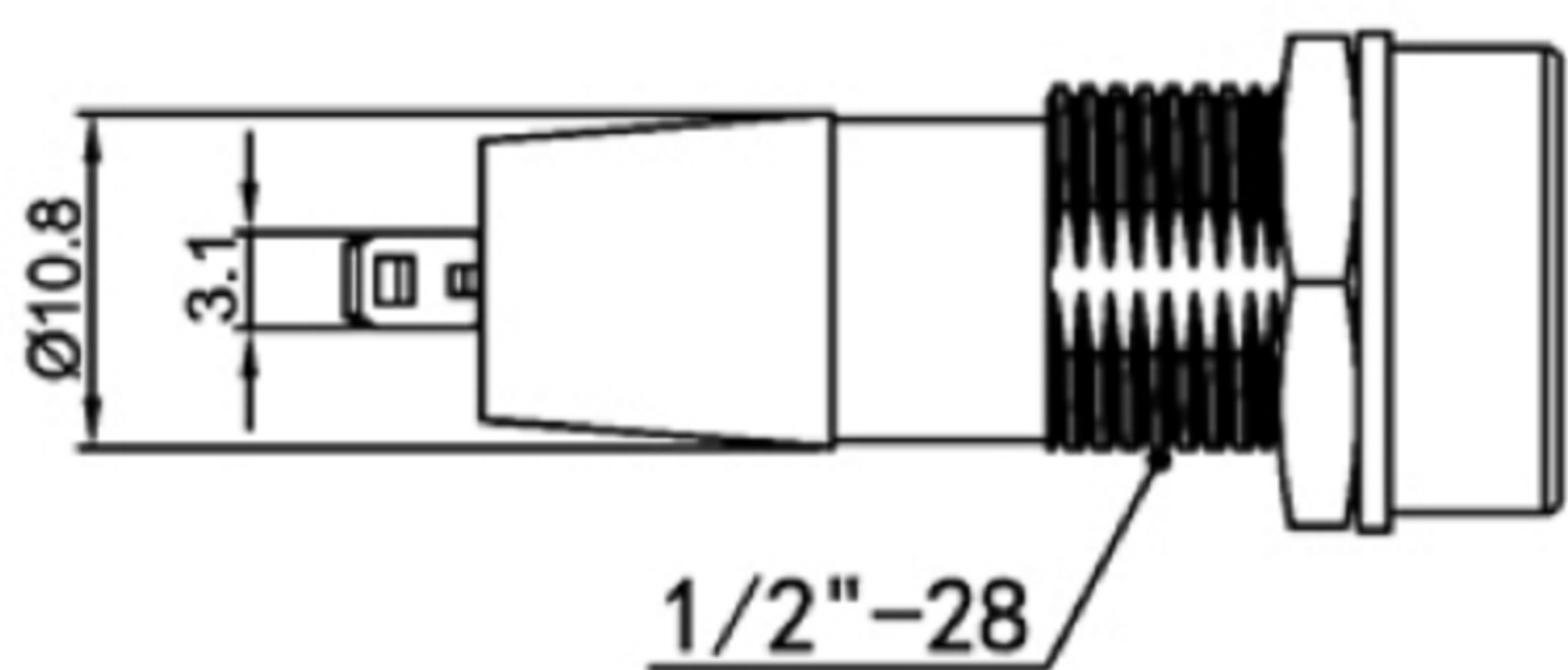
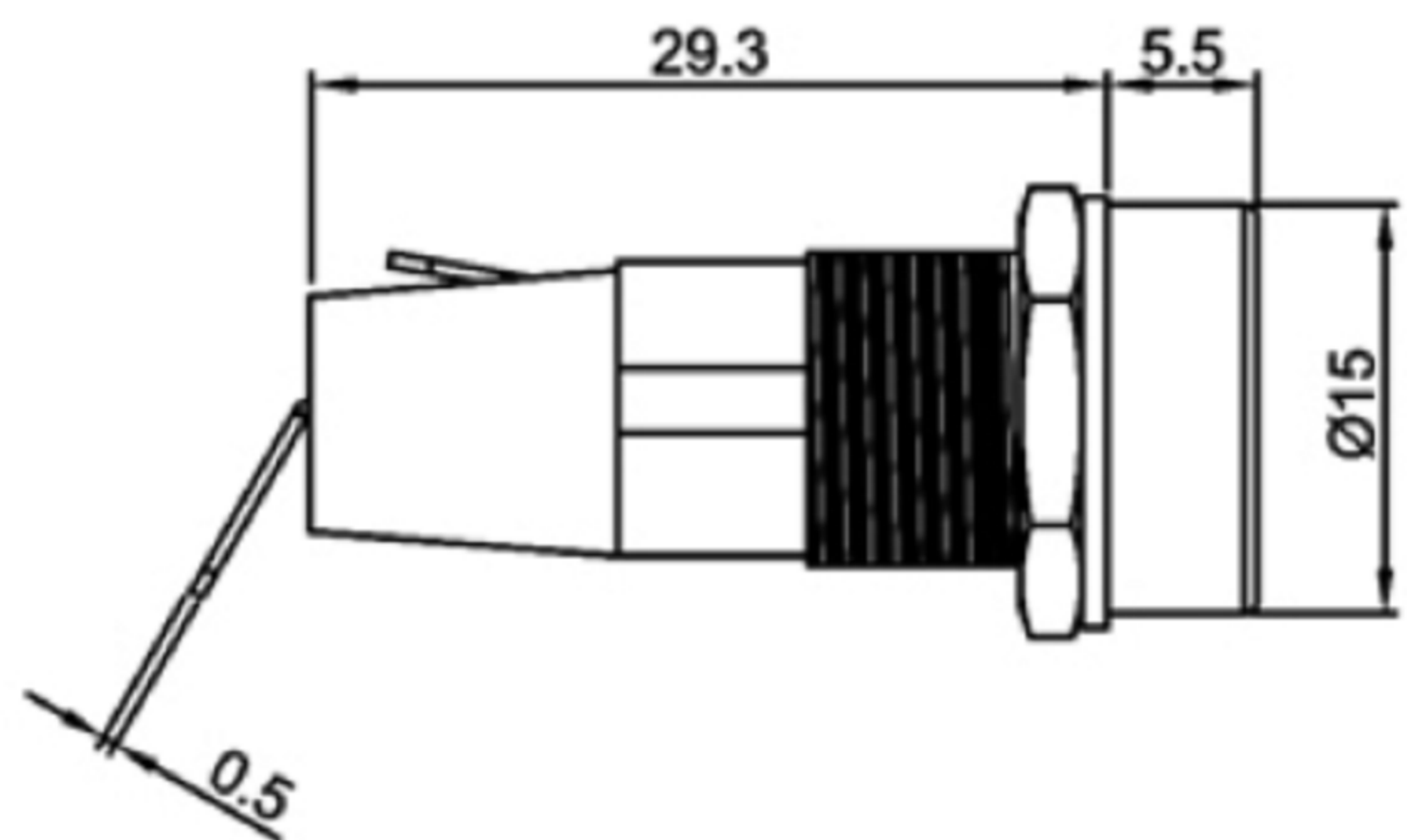
Fuse: $\varnothing 5.0 \times 20 \text{mm}$ 

Cap: Screw type

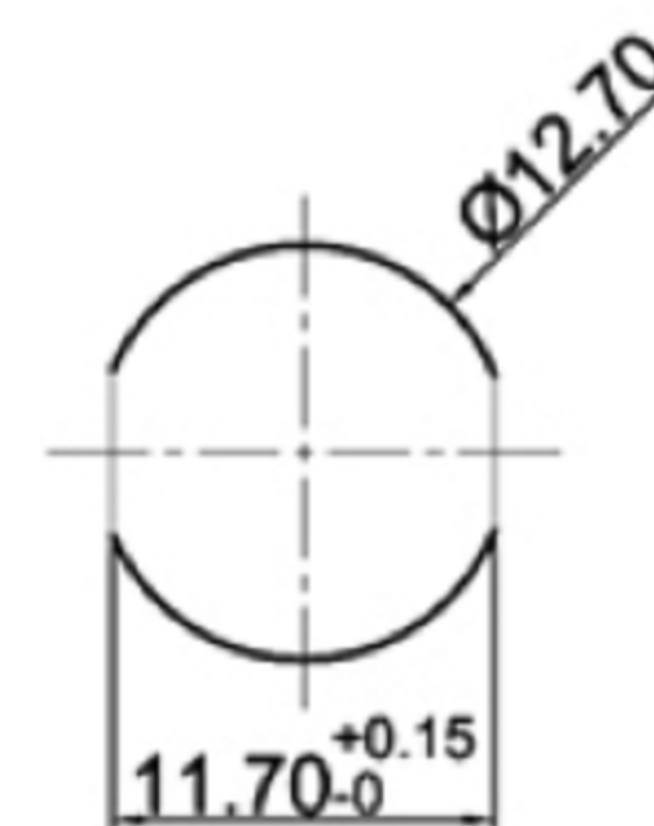
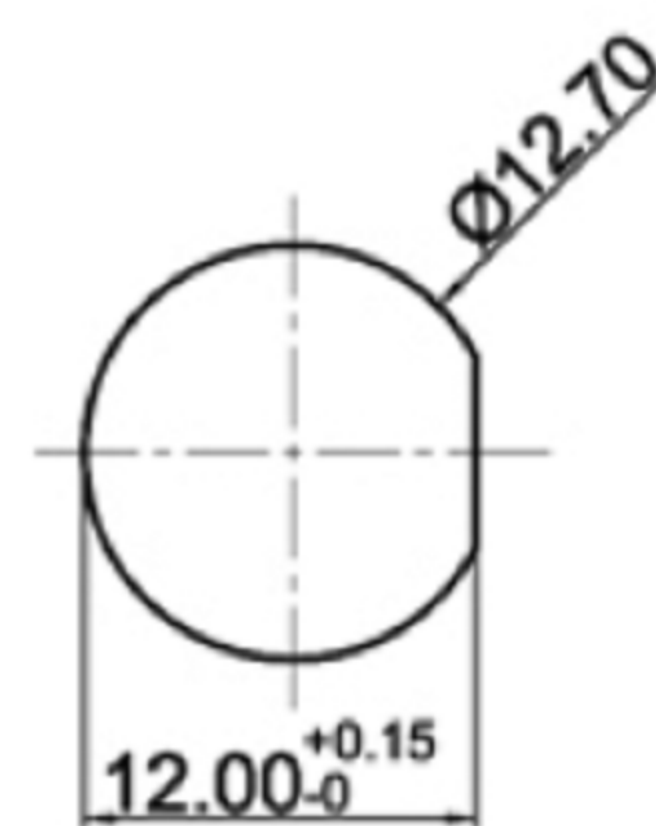
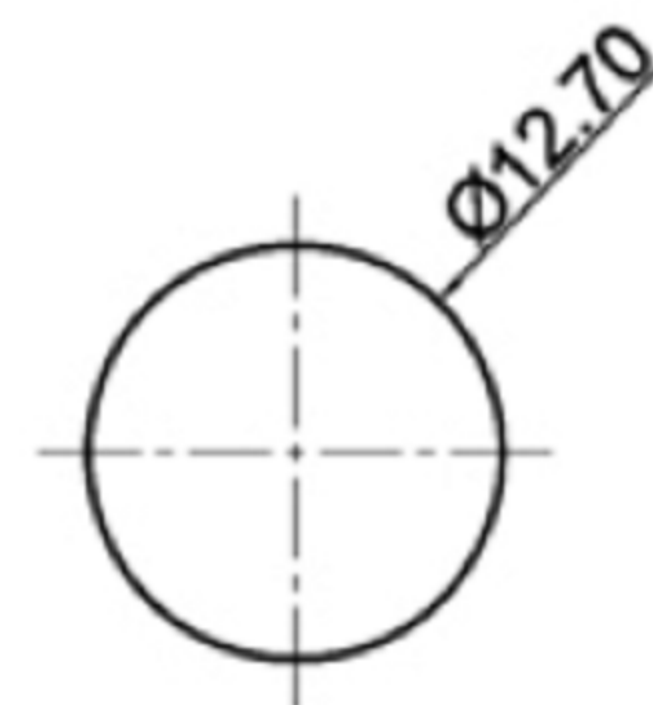
Panel thickness: 4.5mm max 

Operating Temperature: $-10^{\circ}\text{C} \sim +70^{\circ}\text{C}$

Welding method: Manual Soldering (350°C , 3s)



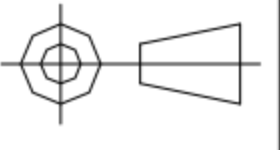
CUT-OUT



 **广东科斯达电子科技有限公司**
GUANG DONG KE SI DA ELECTRONIC TECHNOLOGY CO., LTD.

TOLERANCE UNLESS OTHERWISE STATED:

Up to 5	± 0.2
Above 5 ~ 15	± 0.3
Above 15 ~ 30	± 0.4
Above 30 ~ 50	± 0.5
Angle	$\pm 0.3^{\circ}$

 3RD. ANGEL'S  UNITS MM

DRAWN BY:	DATE	MAT'L	TITLE	SWITCH
Jack Lu	12/27/22		MODLE	TACT SWITCH WITH LED
CHECKED BY:	DATE	FINISH	DWG NO.	
Jacky Chen	12/27/22		PART NO.	
APPROVED BY:	DATE	SCALE		
Tony Kao	12/27/22	1:1		
		SHEET NO.		
		1 of 1		

ITEM NO.	DESCRIPTION	DRAWN	DATE

SIZE
A4
VER
R