

TECHNICAL CHARACTERISTICS

Specification

- Rotary switch/Push button switch
- >Rating :100mA, 30VDC
- >Contact Resistance :
Initial Rotary : 200mOhm max.
Initial Push button : 50mOhm max.
After Life Test Rotary : 1OHM max.
After Life Test Push button : 200mOhm max.
- >Insulation Resistance : min. 100MQ at 500VDC for 1 minute
- >Dielectric Strength : 500VAC for 1 minute

Switch function

- Rotary switch
- switching degree : 45+/-2
- Switch schematic : 1P8T
- Push button
- Function : momentary
- Pre- Travel :0.7±0.3mm
- Total-Travel : 1.8±0.3mm

Material

- >Cover : Stainless steel
- >LED cover/Diffuser plate : PC UL HB
- >Knob: PA66 UL HB
- >Frame : PA66 UL HB
- >Base : PA66 UL HB
- >Stationary Board : PA66 UL HB
- >Stationary Contact : Brass with Silver
- >Moving Contact Push button : Bronze with Silver
- >Moving Contact Rotary : Copper alloy with Silver
- >Terminal : Brass with Silver
- >Spring/Roller ball : Stainless Steel

Soldering Information

- >Terminal in THT version
- > Wave soldering 260°C 10sec. max
- >Hand soldering under 350°C for 3sec. max

Environmental

- Storage condition : -40°C ~ +85°C ,60% RH max.
- Operation condition : -40°C ~ +85°C
- Compliance : ROHS ,Reach

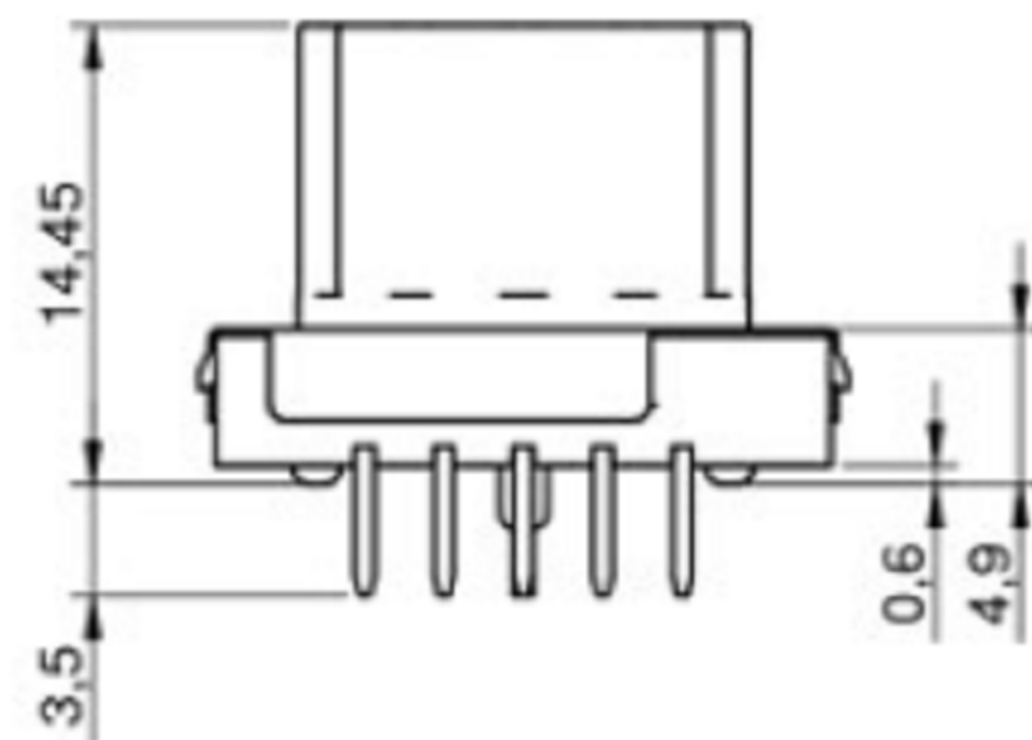
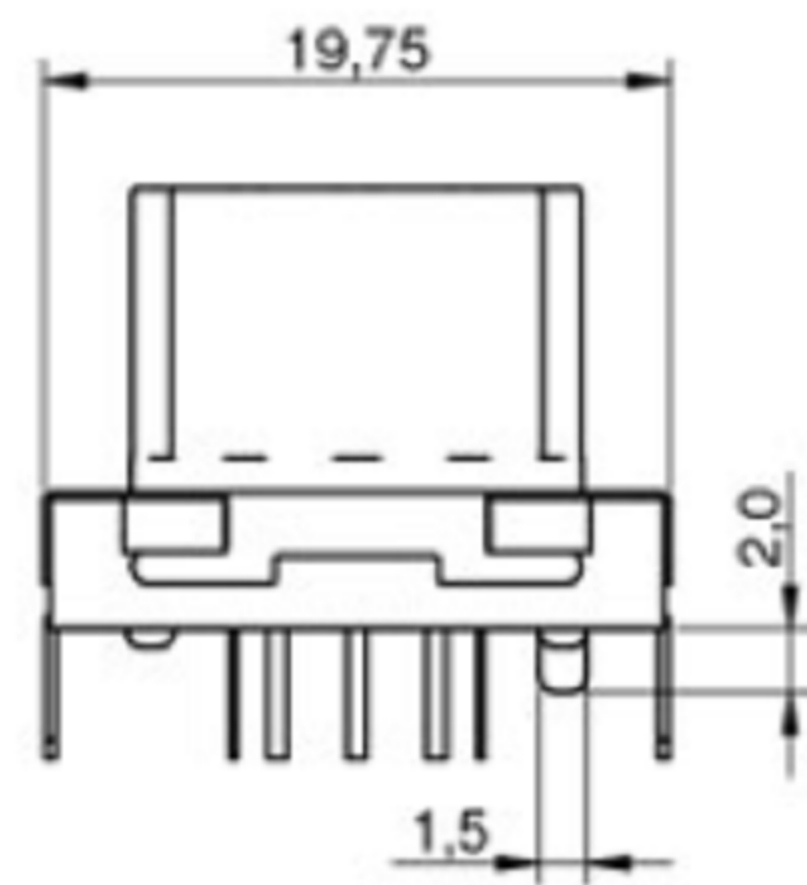
Handling advise

- > ESD prevention methods need to be applicant for manual handling and processing by machinery
- > Resistors for protection are mandatory

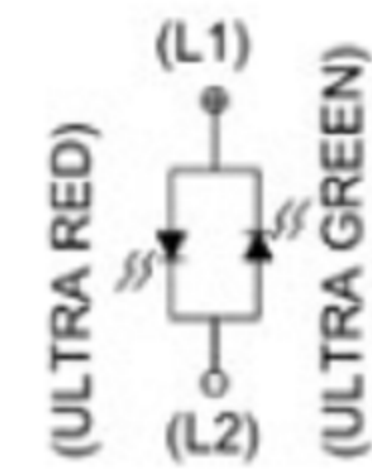
Packaging information

- >ESD tray

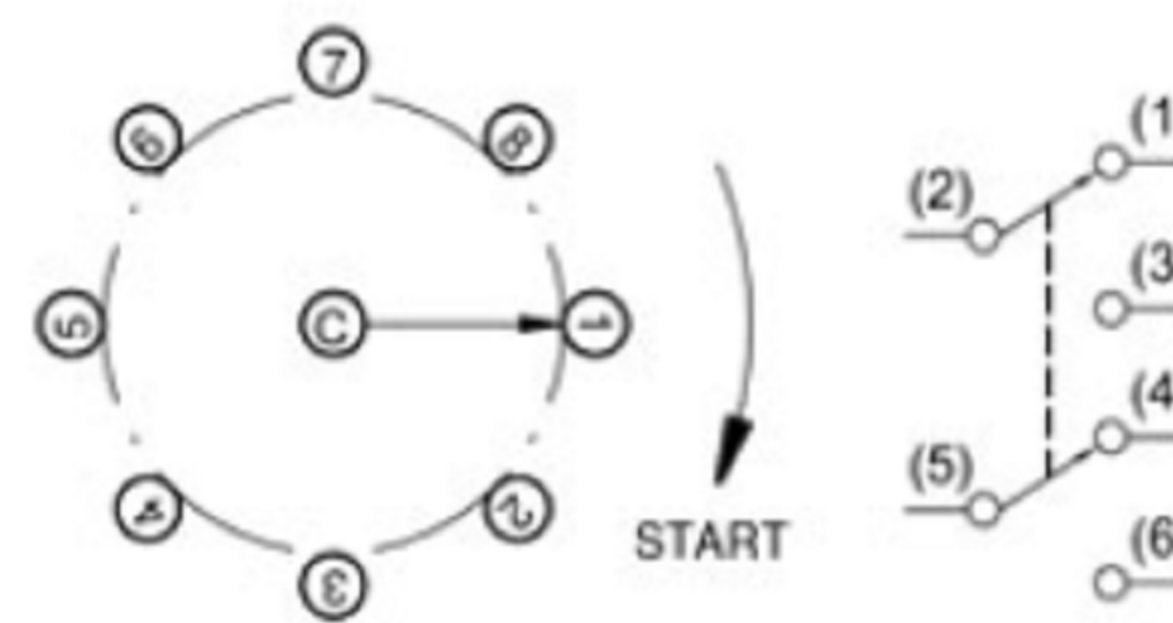
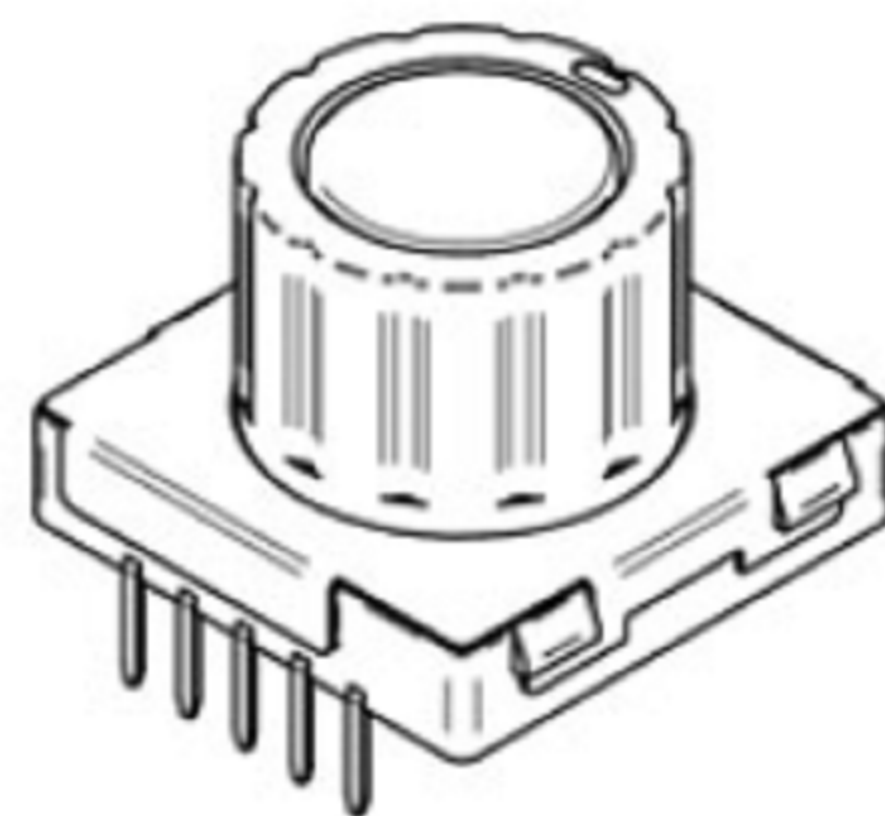
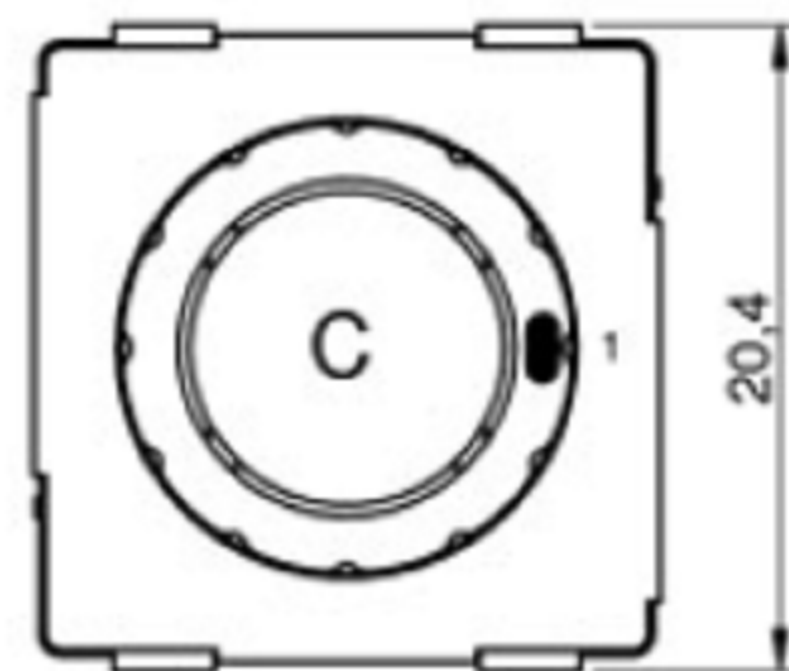
Part number	Force	Color of LED	Life cycle Rotary	Life cycle Push button
481 RV 121 72100	250gf ± 100gf	Red/Bright green	20,000	50,000



RECOMMENDED LAYOUT



LED SCHEMATIC



CIRCUIT DIAGRAM

Scale - 1,5:1

广东科斯达电子科技有限公司
GUANG DONG KE SI DA ELECTRONIC TECHNOLOGY CO., LTD.

TOLERANCE UNLESS OTHERWISE STATED :
Up to 5 ±0.2
Above 5 ~ 15 ±0.3
Above 15 ~ 30 ±0.4
Above 30 ~ 50 ±0.5
Angle ±0.3

3RD. ANGEL'S

UNITS MM

DRAWN BY:	DATE	MAT'L	TITLE	SWITCH
Jack Lu	12/27/22	FINISH	MODLE	TACT SWITCH WITH LED
CHECKED BY:	DATE	SCALE	DWG NO.	SIZE
Jacky Chen	12/27/22	1 : 1	PART NO.	A4
APPROVED BY:	DATE	SHEET NO.		VER
Tony Kao	12/27/22	1 of 1		R