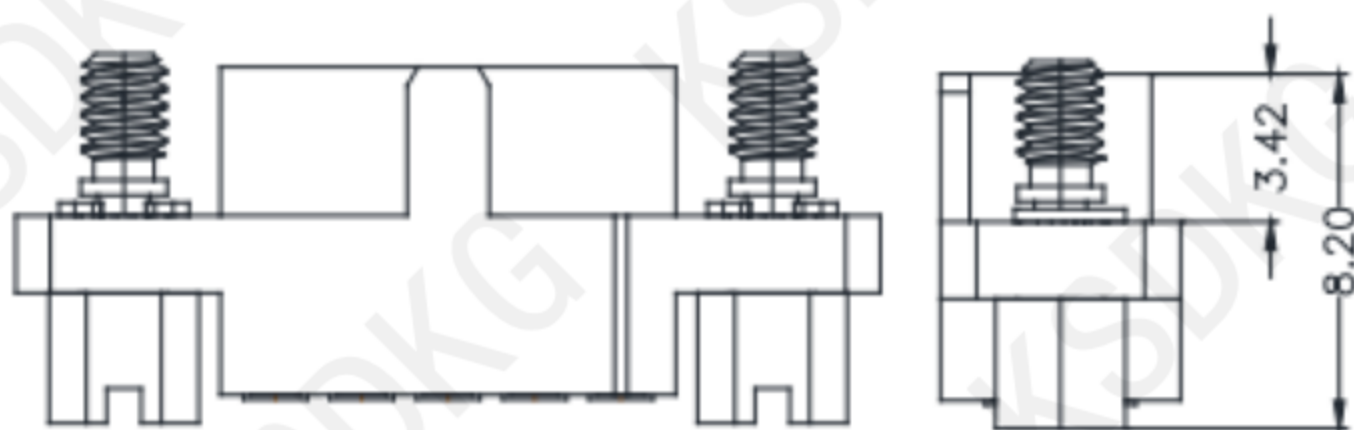
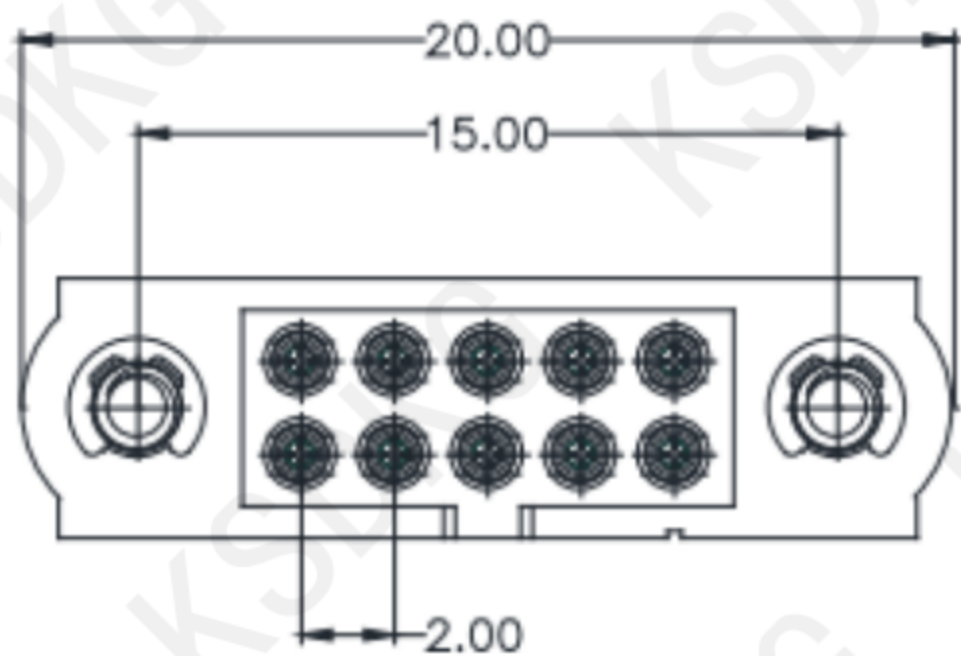


KSD-MPM275XX00 FEMALE

KSD
SWITCH CONNECTOR



KSD-MPM275XX00-180°



- 触点间距 Contact Pitch: 2.00mm
- 电缆导线尺寸 Cable Conductor Size: 24-28AW
- 行数 Number of Rows: 双排 Double Row
- 连接器方向 Connector Orientation: 直线 Straight

产品描述 Product Description

- 信号触点 Signal Contact: 铜合金 Copper Alloy
- 电源触点 Power Contact: 铜合金 Copper Alloy
- 螺杆 Jackscrew: 不锈钢 Stainless steel
- 绝缘材料 Insulator: Glass filled PPS
- 电镀 Finish: 镍底镀金 Au&Ni

性能参数 Specification

- 芯数 Pins: 最大PIN数 2 * 25
- 阻燃等级 Flame retardant grade: UL94V-0
- 插拔寿命 Mechanical Operations: 500 Operations
- 工作温度 Range temperature: -55C ~ +125C
- 工作电压 Working Voltage: 120 V AC/DC
- 耐电压 Proof Voltage: 360 V AC/DC
- 接触电阻 Contact Resistance : 25 mΩ
- 额定电流 Current Rating : 3A Max @25°C, 2.2A Max @85C
- 插入力 Insertion Force : 2.8N Max
- 拔出力 Withdrawal Force : 0.2N Min
- 绝缘电阻 Insulation Resistance: >100mΩ
- 连接类型 Connection Type: 电缆(焊接+压接)
Cable(Solder + Crimp)

应用领域 Application

- 航空航天, 通信设备、充电设备、以及储能等电源模块的功率、信号传输
- Power and signal transmission in power modules for aerospace, communication equipment, charging equipment, and energy storage