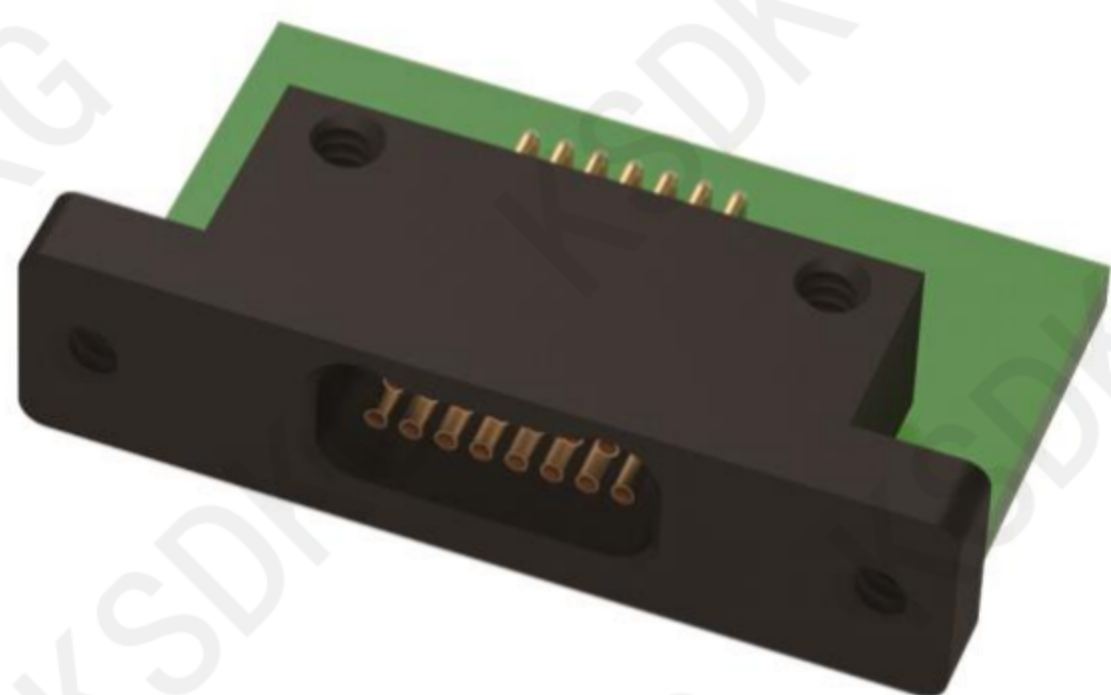
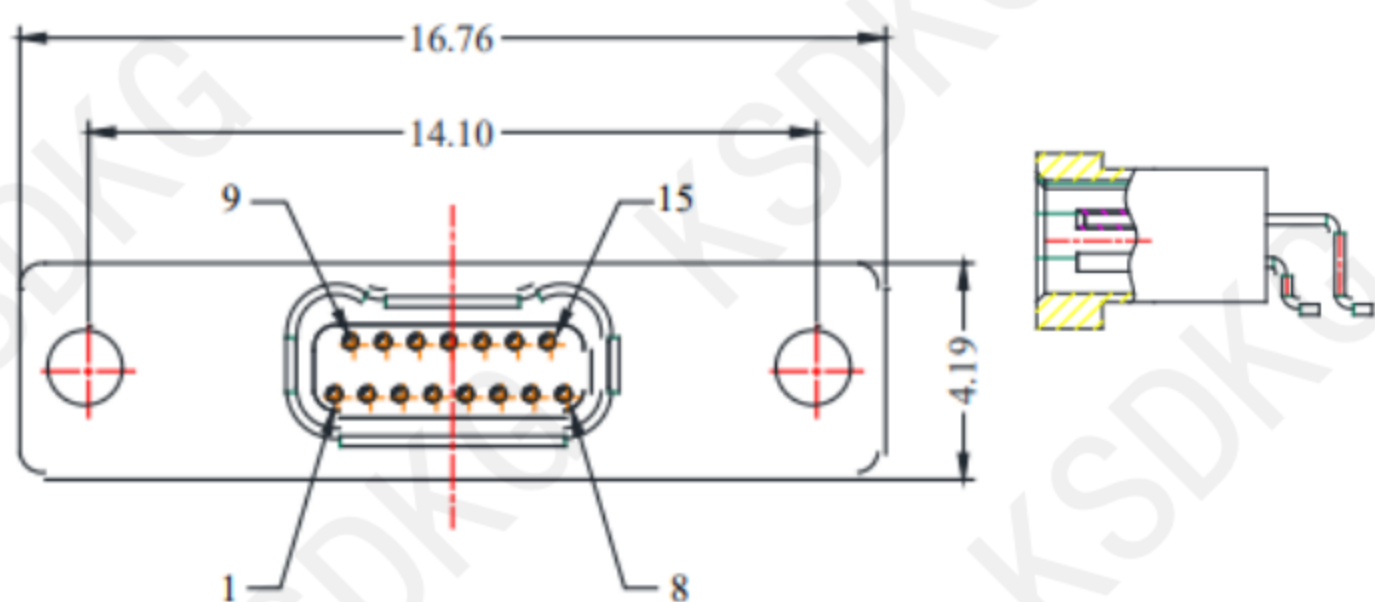
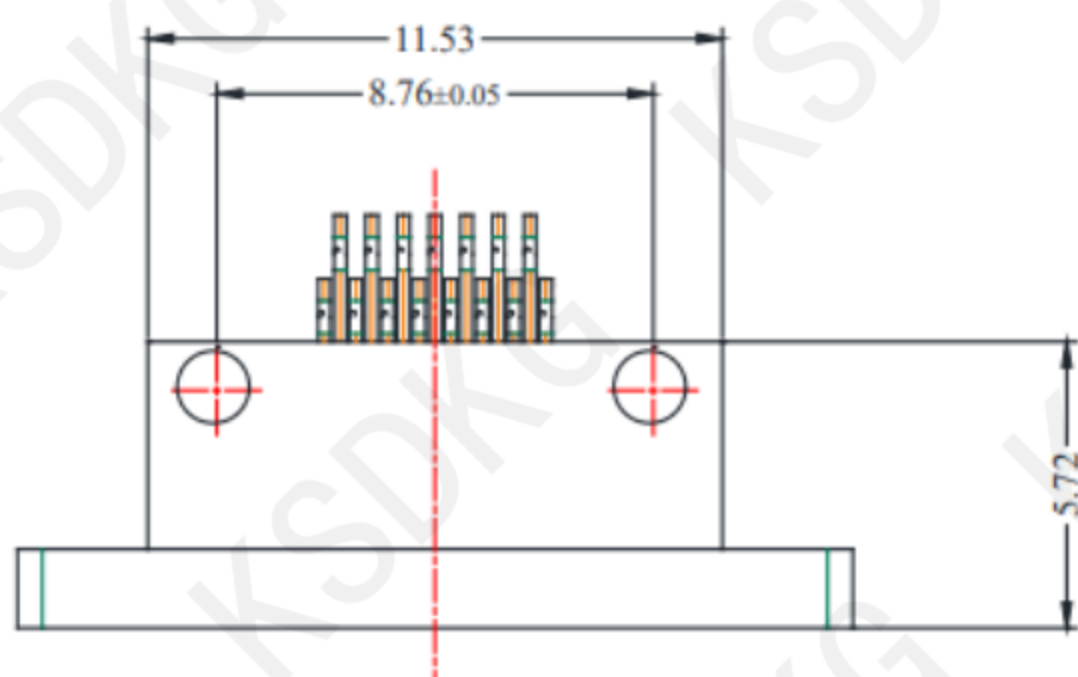


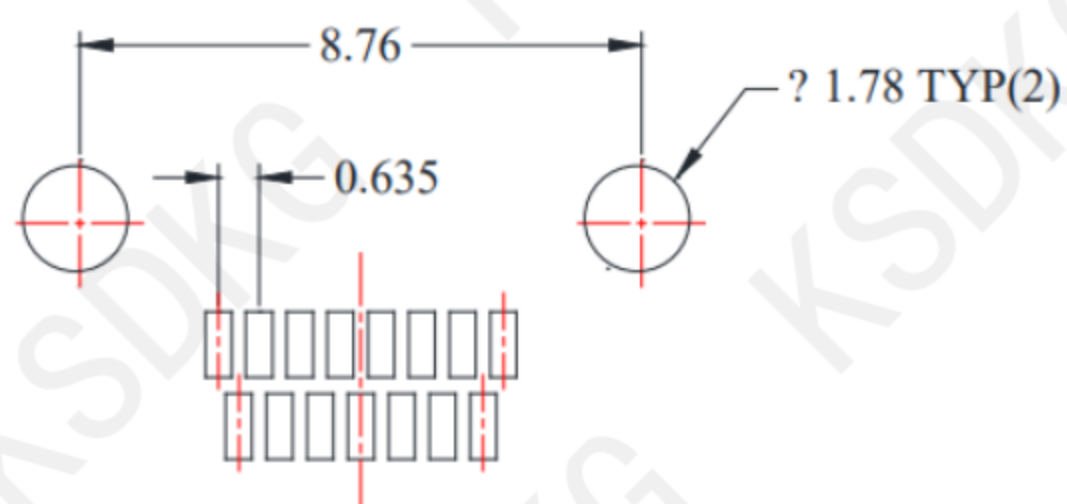
# KSD-MPMS411500 FEMALE



**KSD-MPMS411500**



**安装开口尺寸**



●绝缘电阻 Insulation Resistance: >100mΩ

●连接器方向 Connector Orientation: SMT

## 产品描述 Product Description

●接触件 CONTACT SHELL: 铜合金 Copper Alloy

●壳体 Shell : 铝合金 Aluminum

●绝缘材料 Insulator: High Temperature Plastic

●电镀 Finish: 镀金 Au 化学镀镍 Electroless Nickel Plated

## 性能参数 Specification

●芯数 Pins: 15

●阻燃等级 Flame retardant grade: UL94V-0

●插拔寿命 Mechanical Operations: 200 Operations

●工作温度 Range temperature: -55C ~+125C

●介质耐受电压 Dielectric Withstanding Voltage: 250 V r.m.s.(50Hz)

●行数 Number of Rows: 双排 Double Row

●接触电阻 Contact Resistance : ≤21 mΩ

●额定电流 Current Rating : 1A

●振动 Vibration: 10 Hz~2000 Hz 196 m/s<sup>2</sup>

●冲击 shock: 980 m/s<sup>2</sup>6ms

●绝缘电阻 Insulation Resistance: 5000mΩ@100VDC

●连接类型 Connection Type: 焊接 Solder, 压接 crimp

●触点间距 Contact Pitch : 0.635mm

## 应用领域 Application

●航空航天, 通信设备、充电设备、以及储能等电源模块的功率、信号传输

● Power and signal transmission in power modules for aerospace, communication equipment, charging equipment, and energy storage