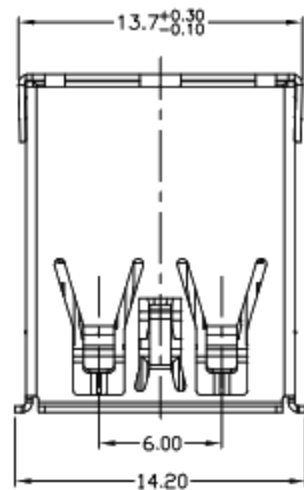


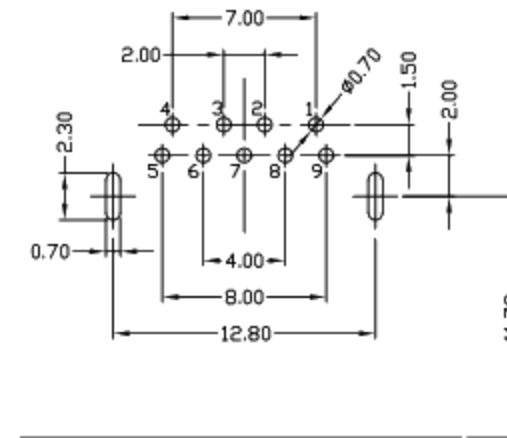
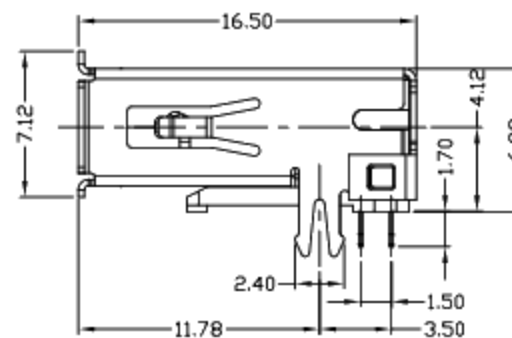
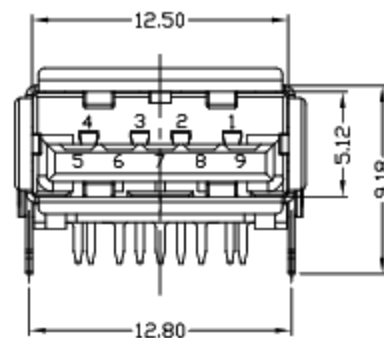
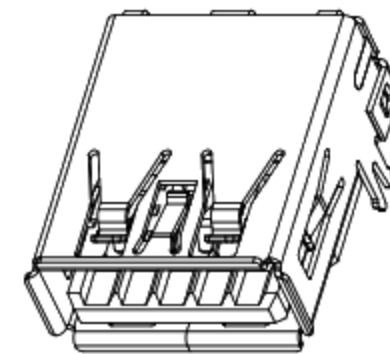


RoHS  
Compliant  
2002/95/EC

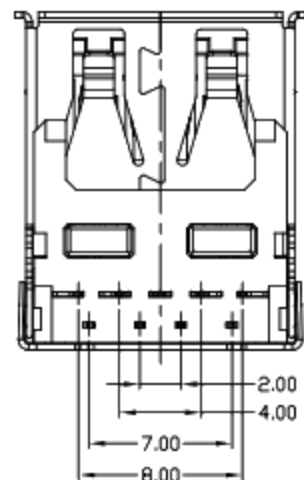
REV.	ECN.	NO.	APPD.



PIN NUMBER	SIGNAL NAME
1	VBUS
2	D-
3	D+
4	GND
5	STDA_SSRX-
6	STDA_SSRX+
7	GND_DRAIN
8	STDA_SSTX-
9	STDA_SSTX+
Shell	Shield



RECOMMENDED PCB LAYOUT



NOTES:

- ELECTRICAL:
  - CURRENT RATING: 1.5AMP;
  - INSULATION RESISTANCE: 100MΩ MIN;
  - CONTACT RESISTANCE: 30mΩ MAX;
  - WITHSTANDING VOLTAGE: 100V AC;
  - OPERATING TEMPERATURE: -40°C ~ +85°C.
- Mechanical:
  - Mating Force: 35N MAX
  - Unmating Force: 10N MIN.
- DIMENSIONS MARKED "▼" TO BE CHECKED BY Q.C & IPQC.

4. PART NO.

1Au 1U\*  
5Au 15U\*  
6Au 30U\*

W: WHITE  
B: BLACK  
BL: BLUE  
1: PBT  
2: PA6T  
3: PA9T  
4: LCP

Bill of materials:

NO	PARTS	MATERIAL	QTY	FINISHING	UNITS	mm	廣東科斯達電子科技有限公司				
3	SHELL	STAINLESS STEEL	1	PLATED NICKEL	X. ±0.35	X.* ±2*	TITLE:	PART NO.:			
2	TERMINAL	COPPER ALLOY	9	PLATED GOLD/TIN	.X ±0.3	.X* ±1*	USB 3.0 AF DTP 90度 反向卷边	DWG NO.:			
1	HOUSING	LCP+30%GF	1	UL94V-0	.XX ±0.25	.XX*	DR: gan 2016/08/30	SCALE SHEET REV. CUSTOMER DRAWING			
NO	PARTS	MATERIAL	QTY	FINISHING	.XXX ±0.15	.XXX*	CHKD: gan 2016/08/30	1:1	1/1	B	CUSTOMER DRAWING

THESE DRAWINGS AND SPECIFICATIONS ARE THE PROPERTY OF ACCURATE INNOTECH INC AND SHALL NOT BE REPRODUCED, COPIED OR USED IN ANY MANNER WITHOUT THE PRIOR WRITTEN CONSENT OF ACCURATE INNOTECH INC.

