

Rating:

- 10A 250VAC max. 1.6W (ENEC K-MARK)
- 10A 250VAC max. 1.6W (CCC)
- 10A 250VAC max. 1.6W (UL)

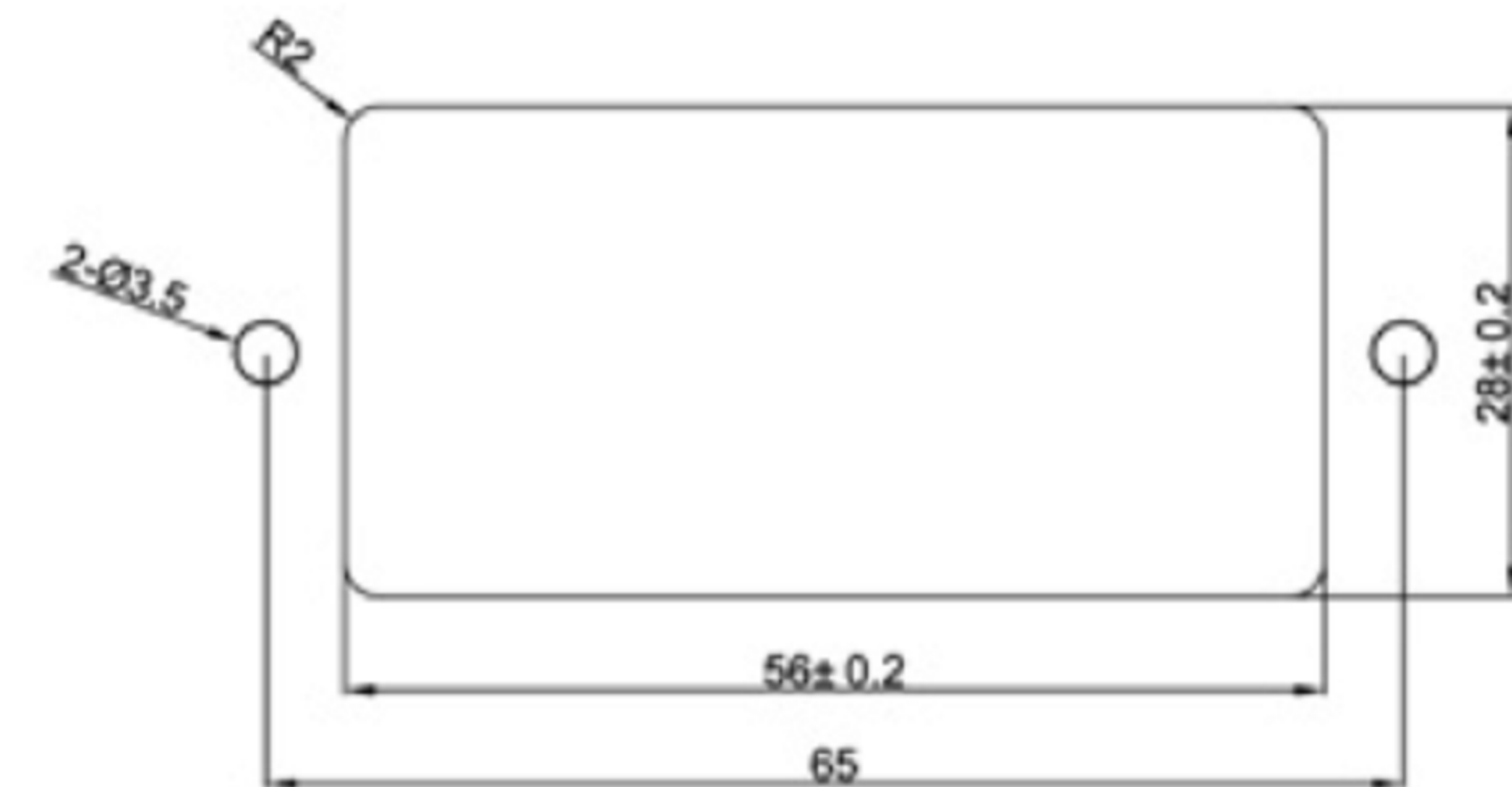
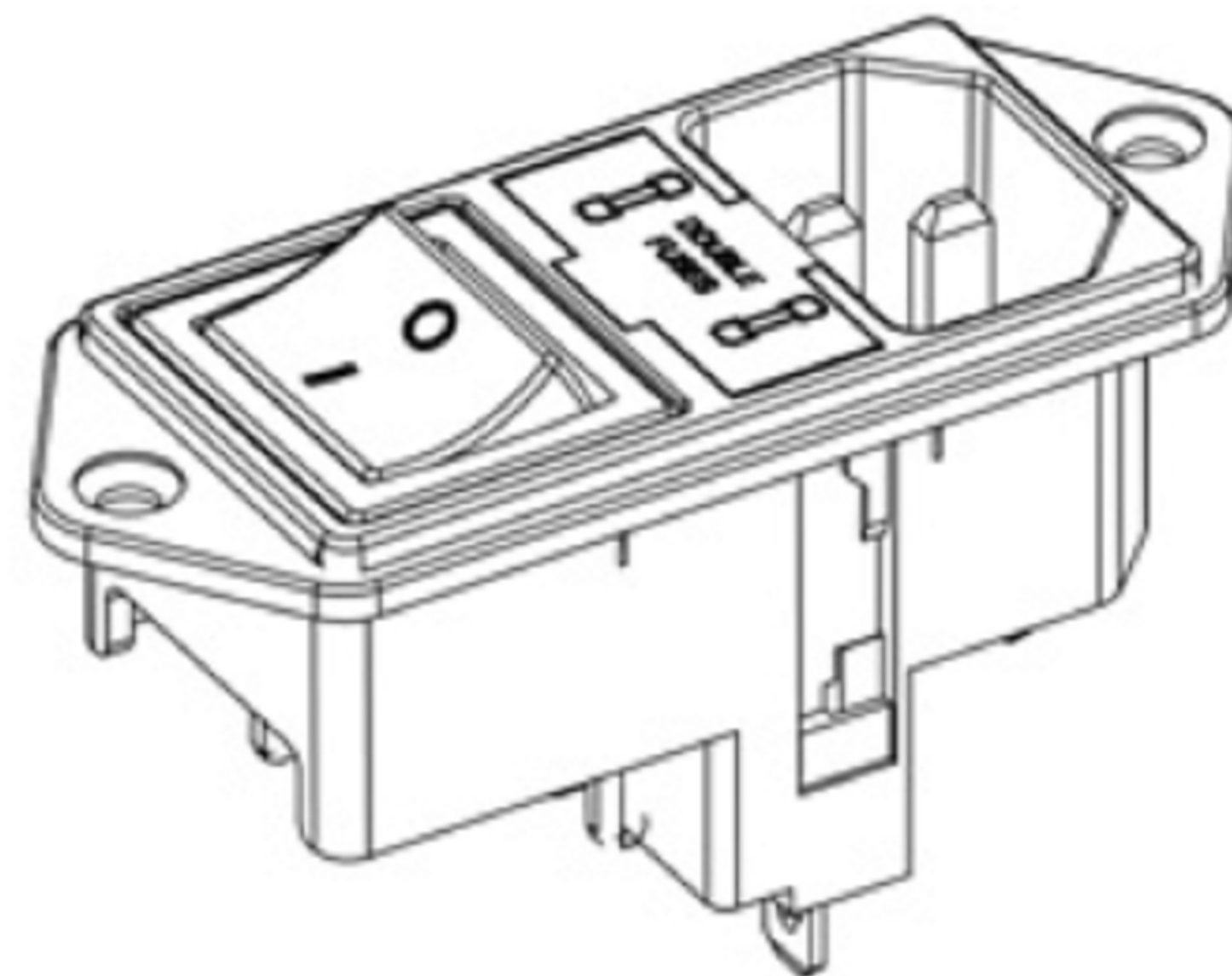
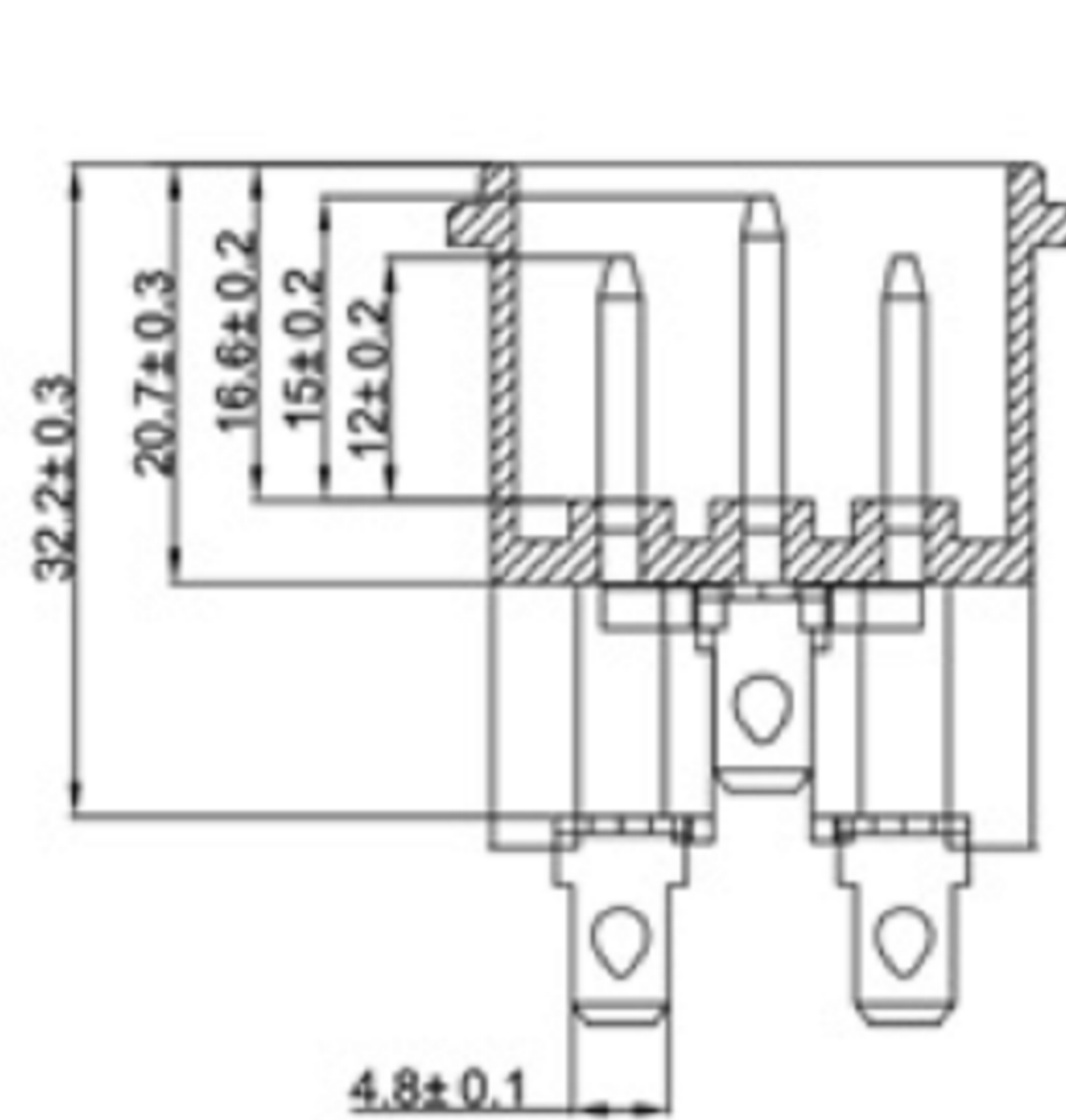
Insulation Resistance:DC 500V 100MΩ Min

Dielectric Strength:AC 2000V1minute

Fuse:Ø5.0x20mm

MATERIAL:

- Base: PBT,UL rated:94 V-0 Min;
- Fuse Carrier: PA66;
- Terminal: Brass,Tin plated .



PANEL CUTOUT

广东科斯达电子科技有限公司
GUANG DONG KE SI DA ELECTRONIC TECHNOLOGY CO., LTD.

TOLERANCE UNLESS OTHERWISE STATED: Up to 5 ±0.2, Above 5 ~ 15 ±0.3, Above 15 ~ 30 ±0.4, Above 30 ~ 50 ±0.5, Angle ±0.3

3RD. ANGEL'S

UNITS MM

DRAWN BY:	DATE	MAT'L	TITLE	SWITCH
Jack Lu	12/27/22			
CHECKED BY:	DATE	FINISH	MODLE	TACT SWITCH WITH LED
Jacky Chen	12/27/22			
APPROVED BY:	DATE	SCALE	DWG NO.	SIZE
Tony Kao	12/27/22	1 : 1		A4
		SHEET NO.	PART NO.	VER
		1 of 1		R