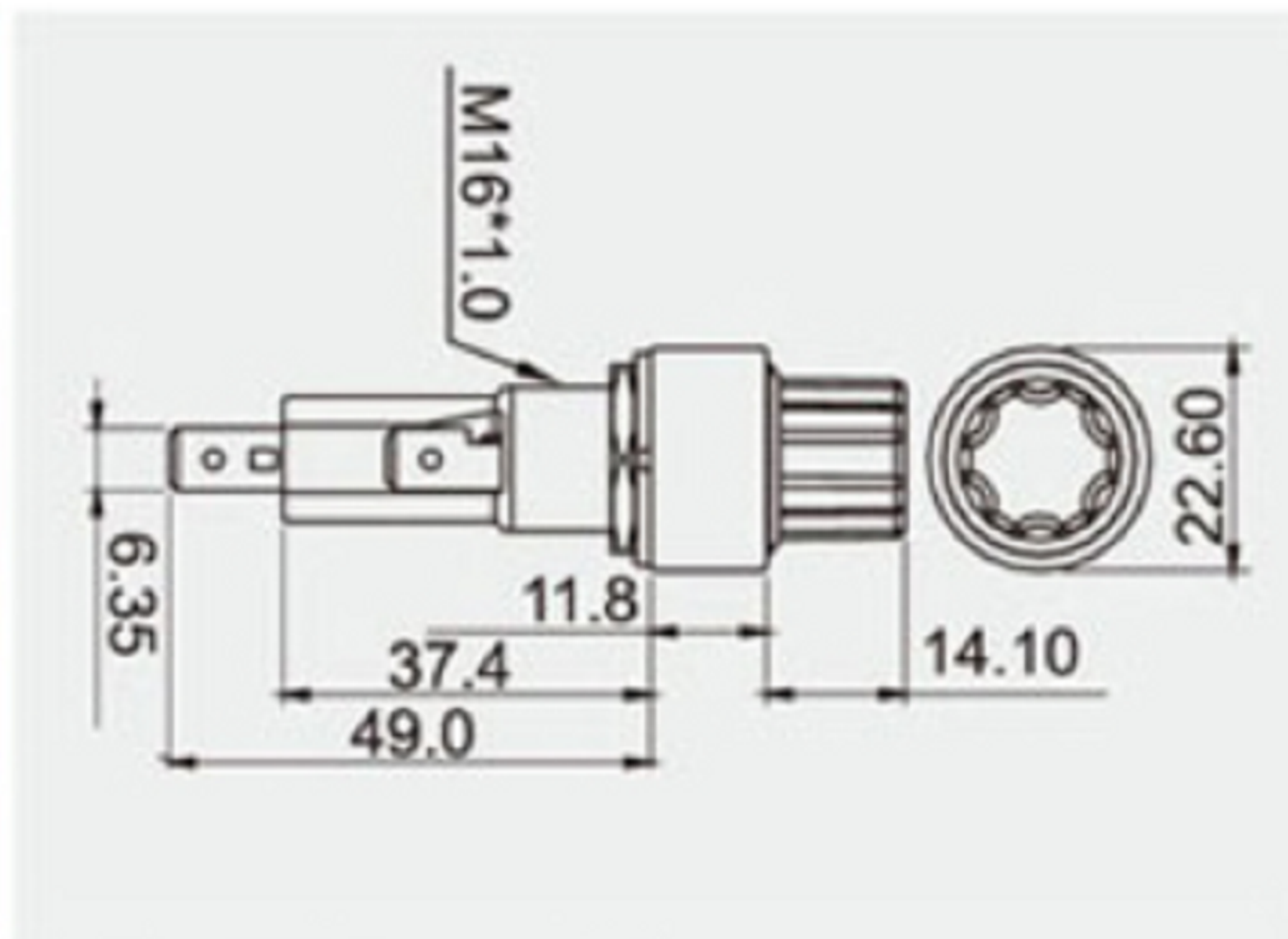


## Waterproof / LED Warning Light

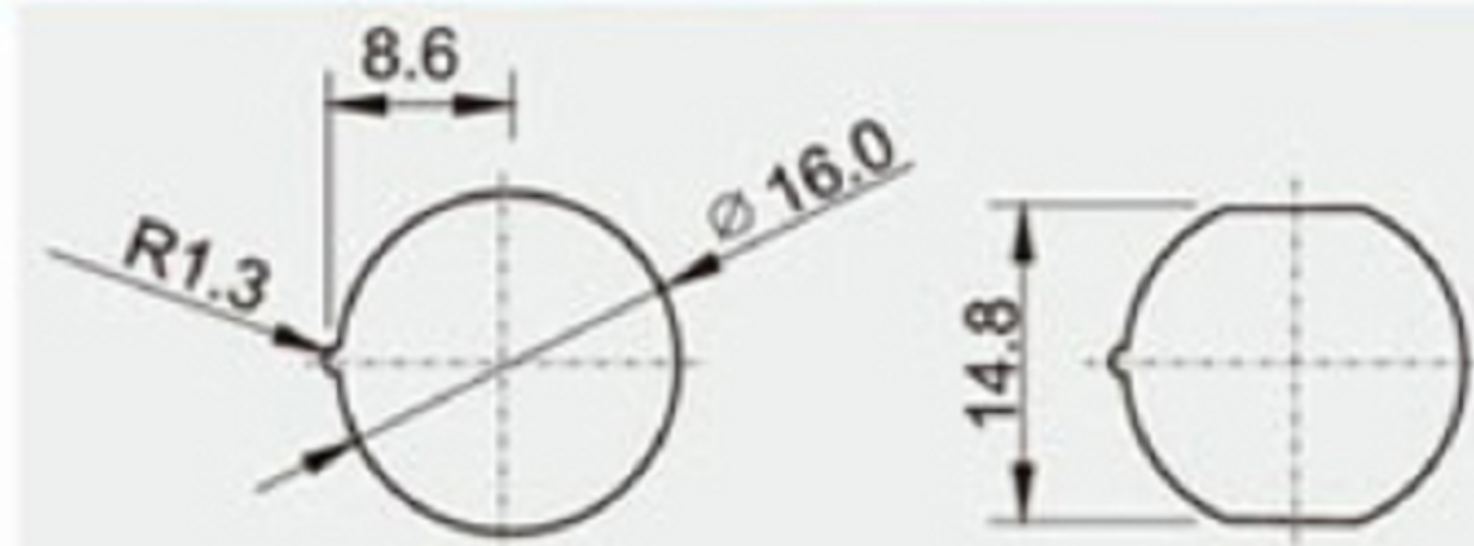


INDICATOR LIGHT	RATING
<b>N</b> NEON	<b>5</b> 20A 250V AC
CAP	FUSE
Screw type	$\varnothing$ 6.35*30mm $\varnothing$ 6.35*31.8mm

(6.4mm)0.250"  
Quick connect

20A 250V AC  
 0.5~10.0mm

### CUT-OUT



### FEATURES:

- Material:  
 Frame: phenolic(UL flame: 94V-1).  
 Cap: PC(UL flame: 94V-2).  
 Terminal: silver plated copper.
- LED indicates when fuse is broken.
- Mounted by nut.

**广东科斯达电子科技有限公司**  
 GUANG DONG KE SI DA ELECTRONIC TECHNOLOGY CO., LTD.

TOLERANCE UNLESS OTHERWISE STATED:  
 Up to 5 ±0.2  
 Above 5 ~ 15 ±0.3  
 Above 15 ~ 30 ±0.4  
 Above 30 ~ 50 ±0.5  
 Angle ±0.3

3RD. ANGEL'S

UNITS MM

DRAWN BY:	DATE	MAT'L	TITLE	SWITCH
Jack Lu	12/27/22			
CHECKED BY:	DATE	FINISH	MODLE	TACT SWITCH WITH LED
Jacky Chen	12/27/22			
APPROVED BY:	DATE	SCALE	DWG NO.	SIZE
Tony Kao	12/27/22	1 : 1		A4
		SHEET NO.	PART NO.	VER
		1 of 1		R

ITEM NO.	DESCRIPTION	DRAWN	DATE