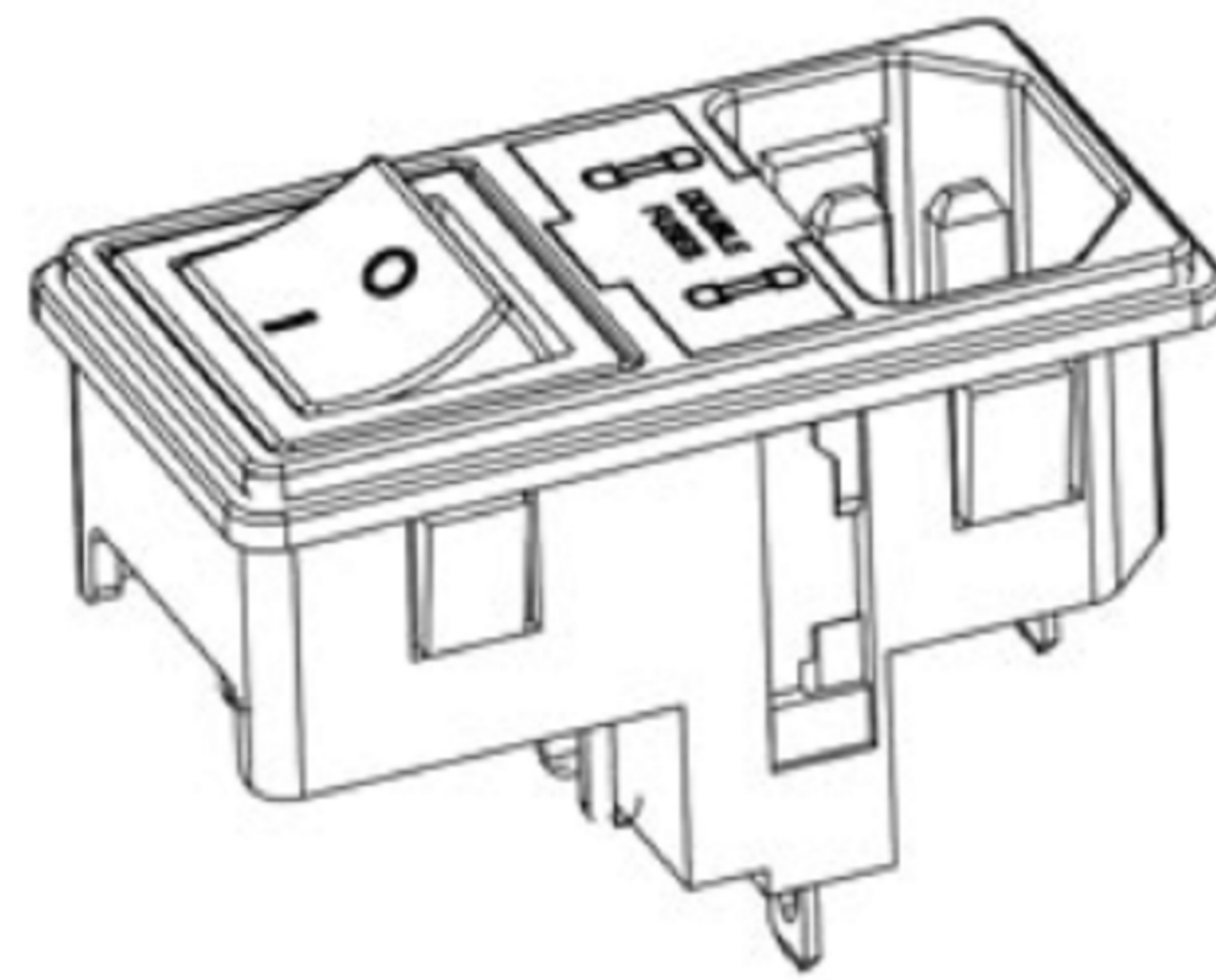
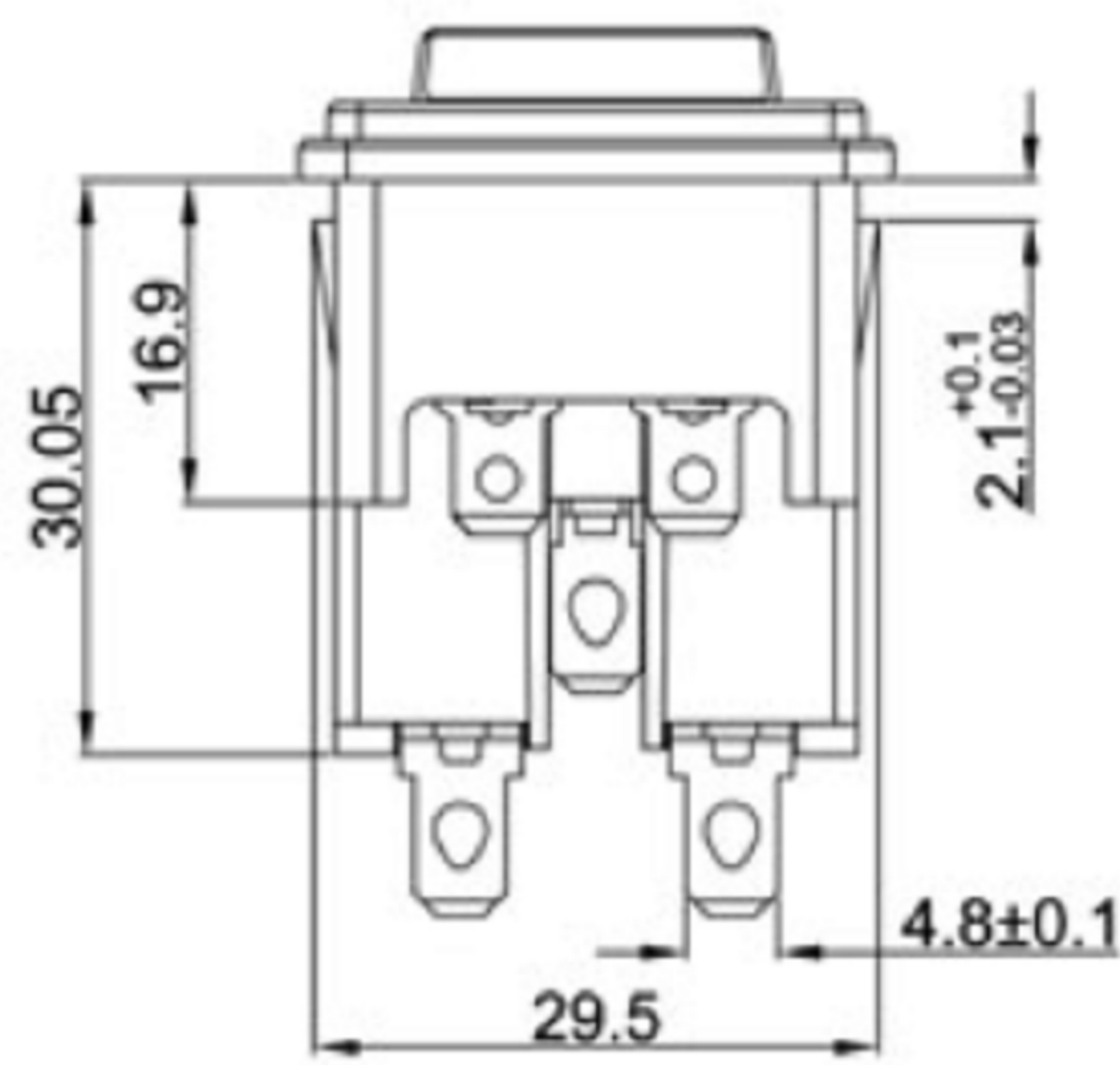


Rating: 10A 250VAC max. 1.6W (UL CUL)  
 10A 250VAC max. 1.6W (ENEC K-MARK)  
 10A 250VAC max. 1.6W (CCC)

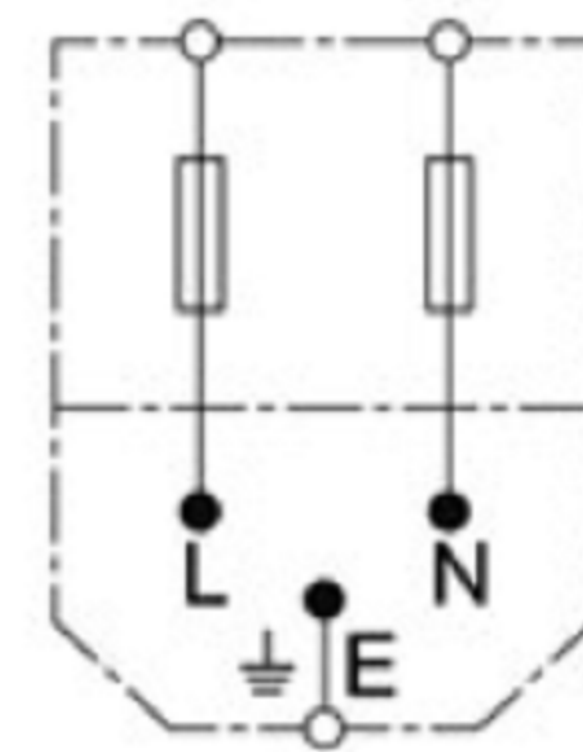
Insulation Resistance: DC 500V 100MΩ Min  
 Dielectric Strength: AC 2000V 1 minute  
 Fuse: Ø5.0x20mm

**MATERIAL:**

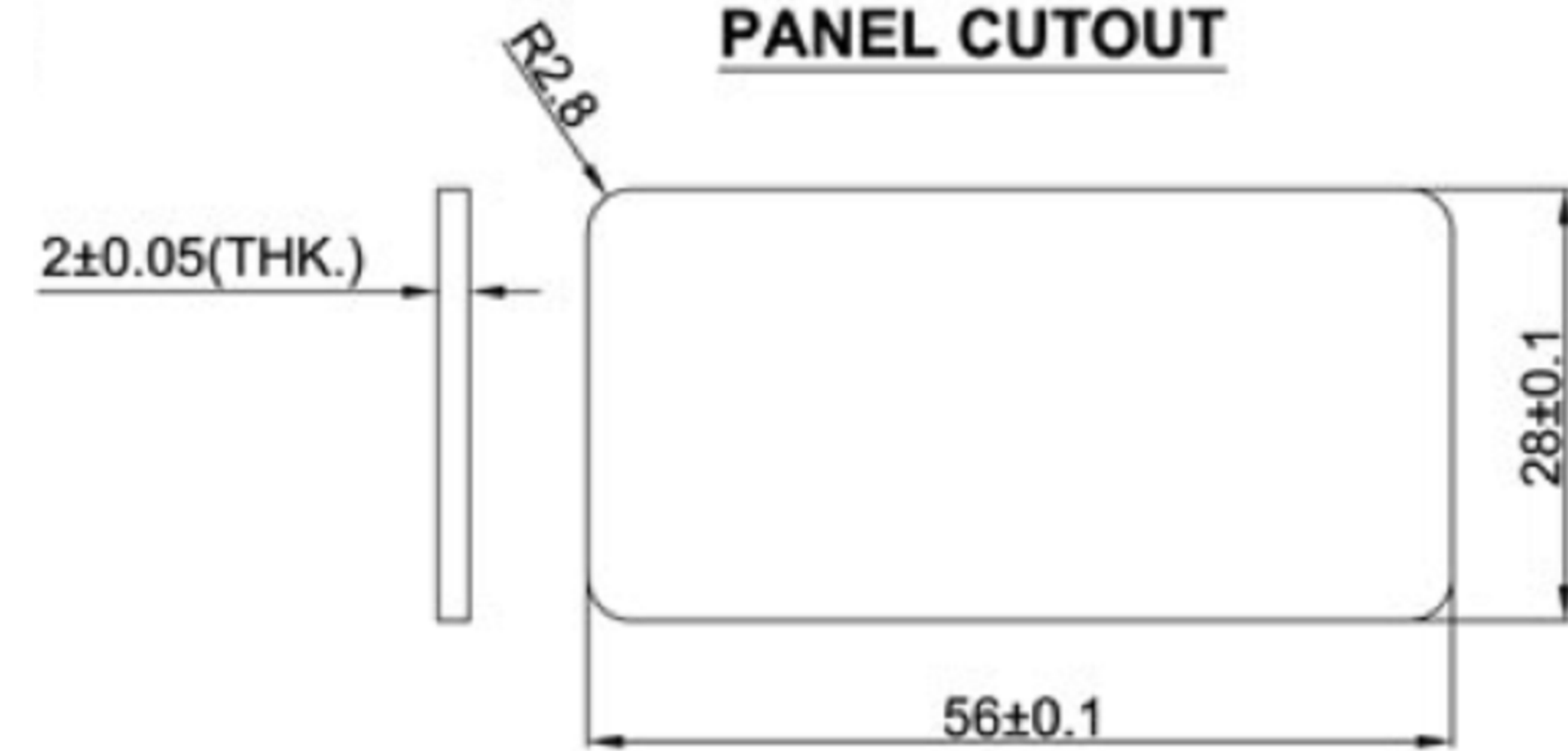
Base: PA66, UL rated: 94 V-2 Min;  
 Cap: PA66;  
 Terminal: Brass, Tin plated .



**Circuit Diagram**



**PANEL CUTOUT**



**广东科斯达电子科技有限公司**  
 GUANG DONG KE SI DA ELECTRONIC TECHNOLOGY CO., LTD.

TOLERANCE UNLESS OTHERWISE STATED:  
 Up to 5 ±0.2  
 Above 5 ~ 15 ±0.3  
 Above 15 ~ 30 ±0.4  
 Above 30 ~ 50 ±0.5  
 Angle ±0.3

3RD. ANGEL'S

UNITS MM

DRAWN BY:	DATE	MAT'L	TITLE	SWITCH
Jack Lu	12/27/22			
CHECKED BY:	DATE	FINISH	MODLE	TACT SWITCH WITH LED
Jacky Chen	12/27/22			
APPROVED BY:	DATE	SCALE	DWG NO.	SIZE
Tony Kao	12/27/22	1 : 1		A4
		SHEET NO.	PART NO.	VER
		1 of 1		R