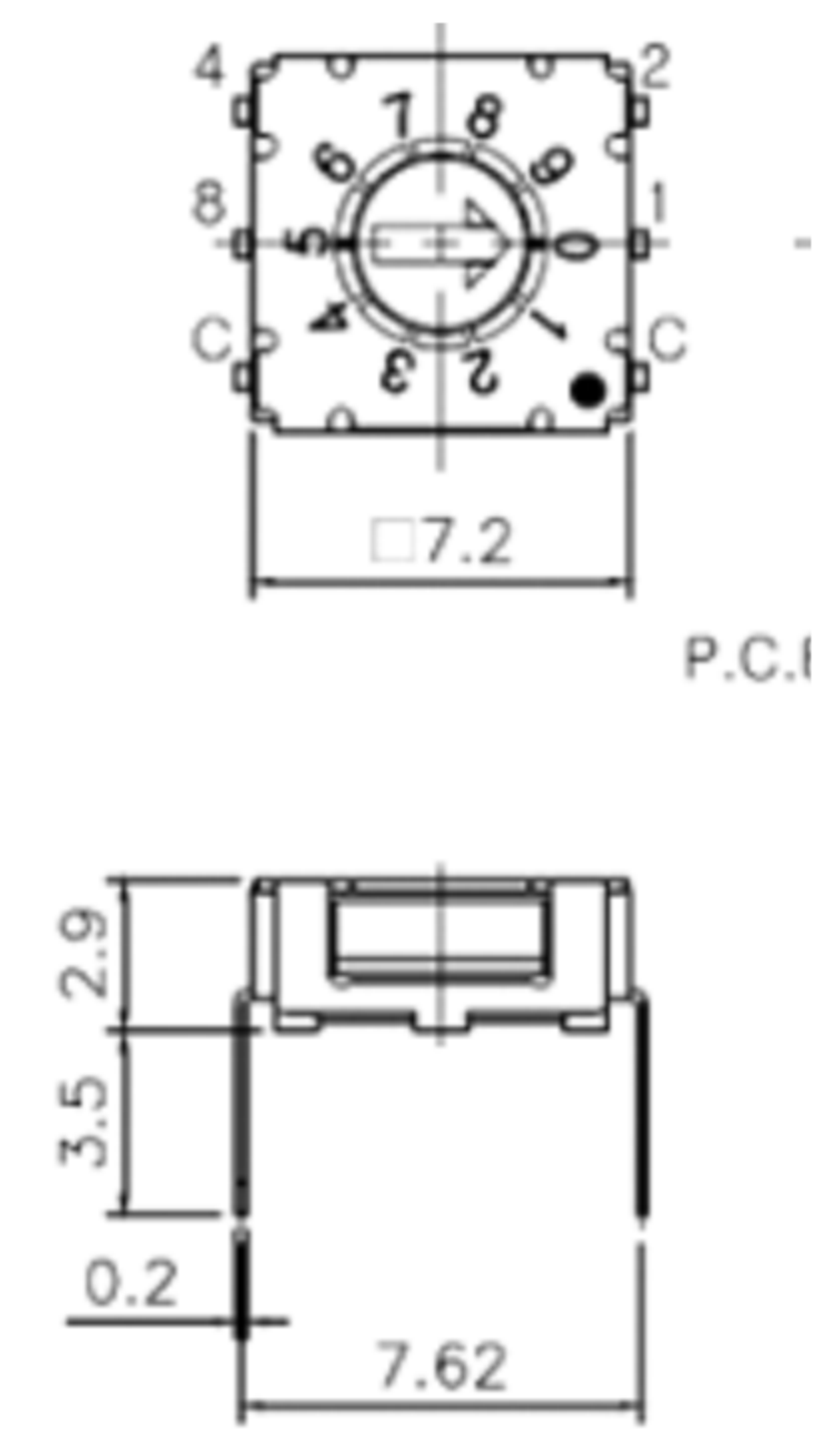
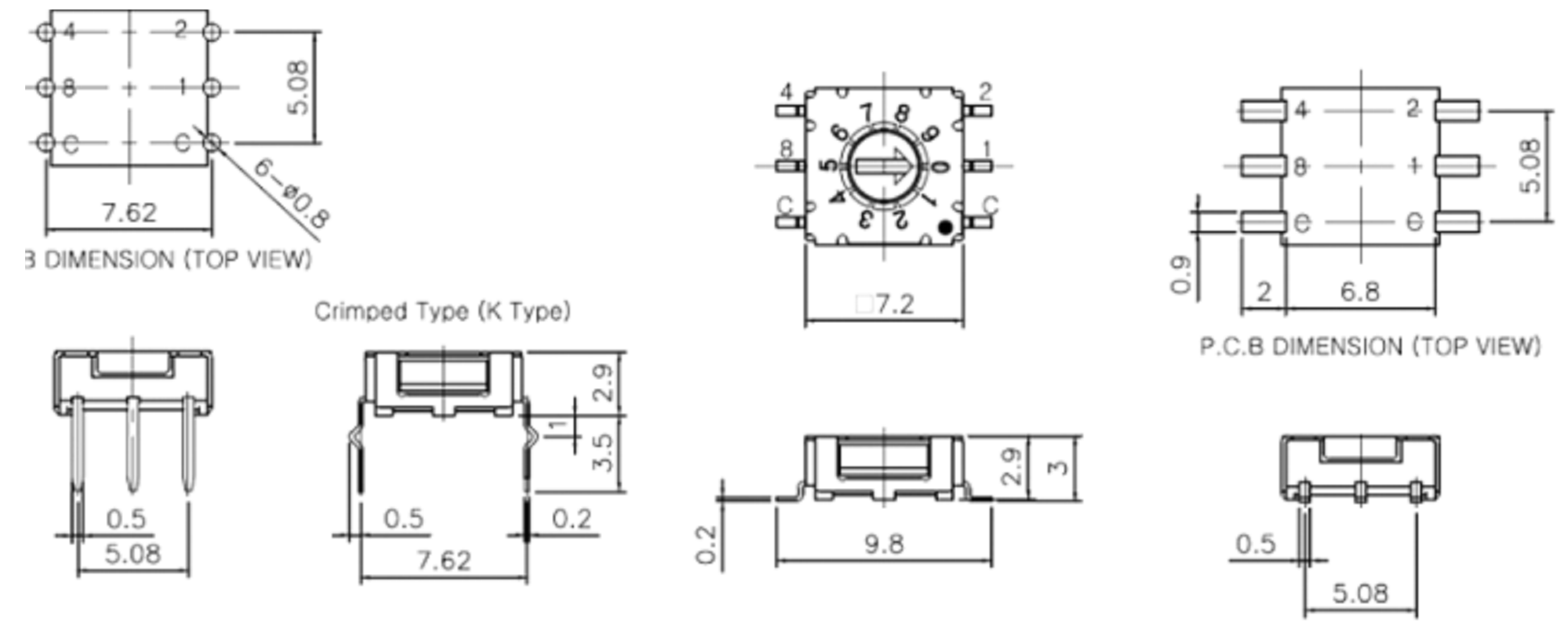




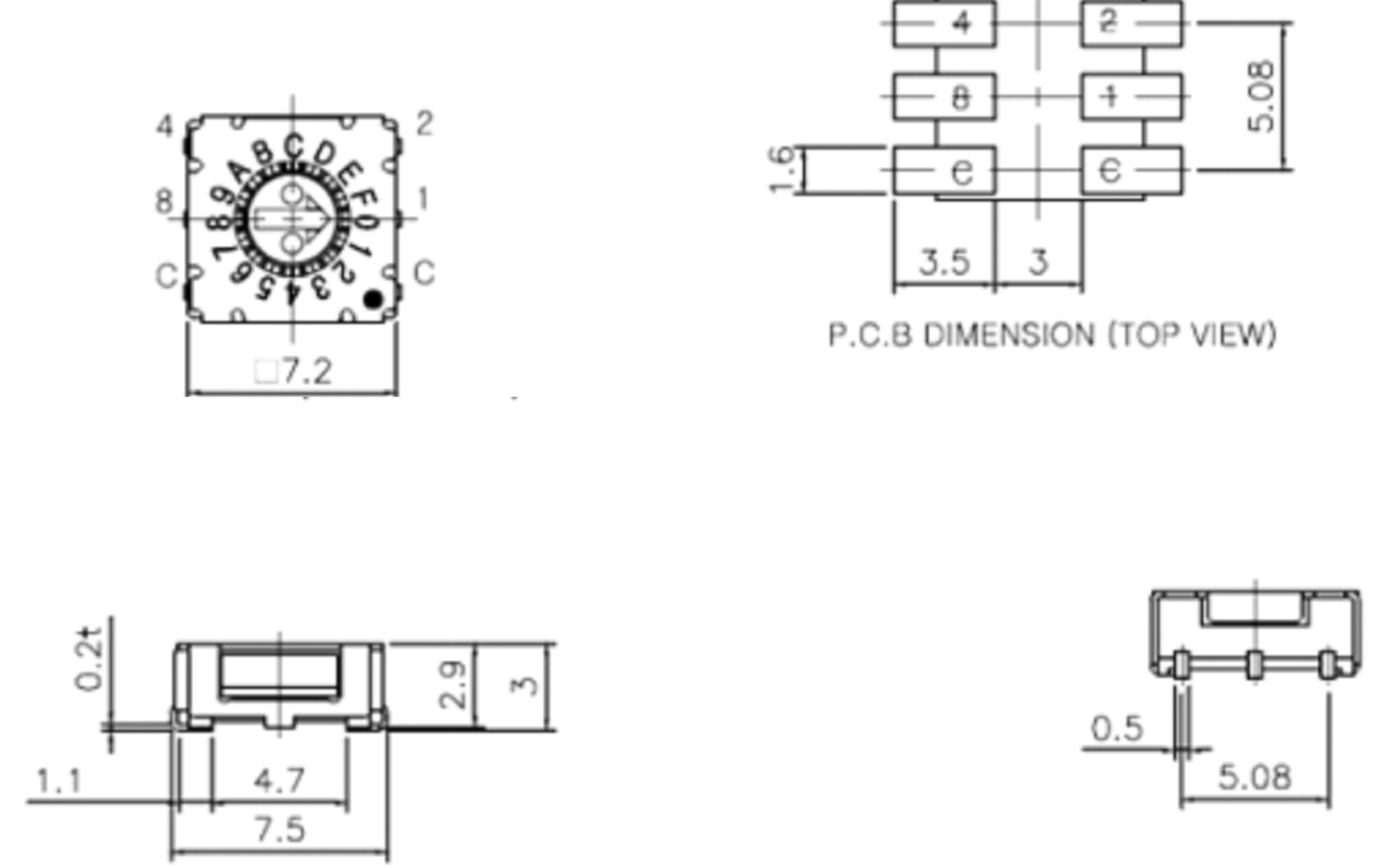
Through Hole Type Layout



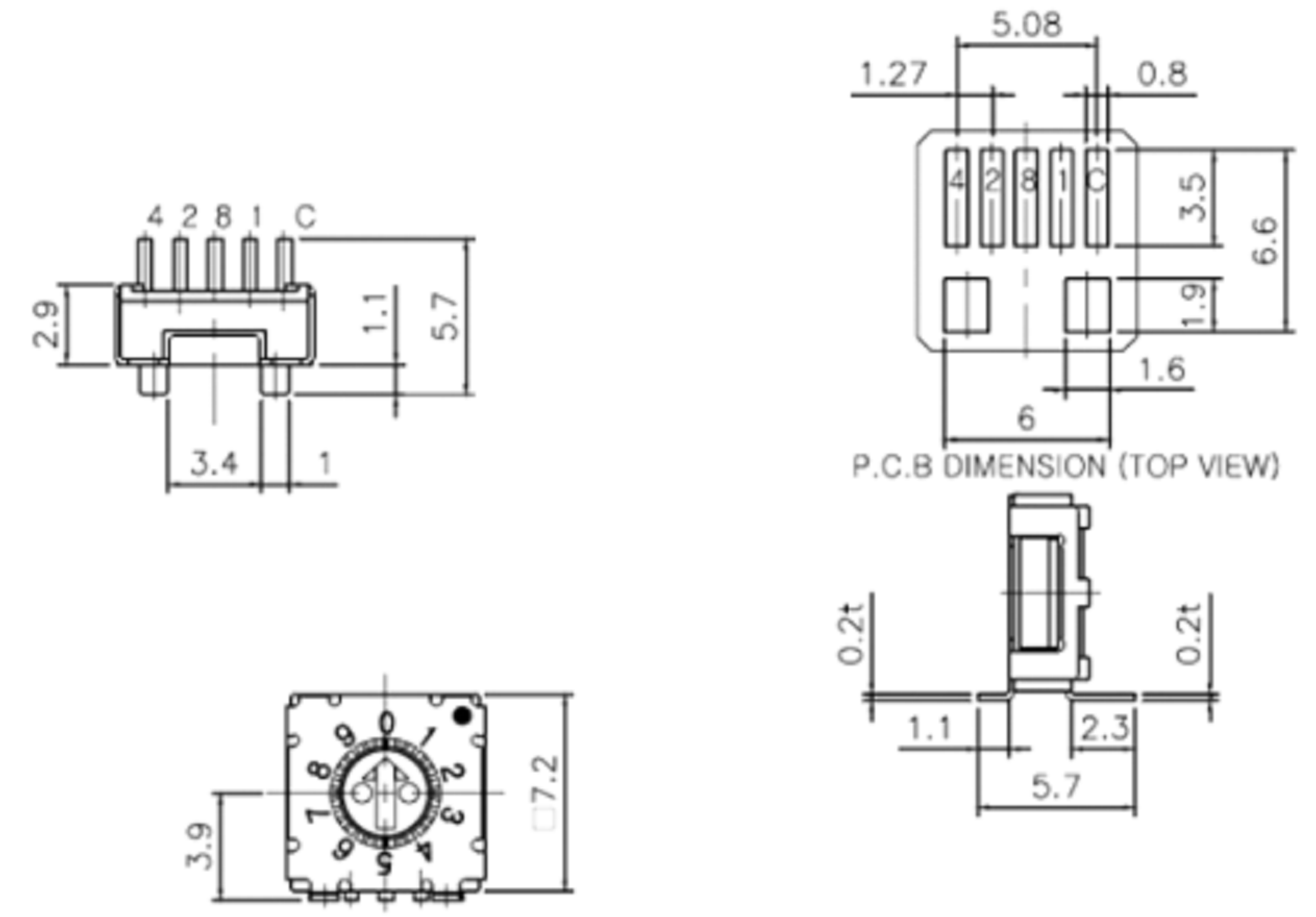
SMD Gull Wing Type Layout



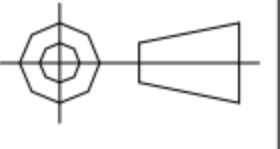
SMD J-Hook Type Layout



Angle Half pitch SMD Type Layout (Ter' 5)



 **广东科斯达电子科技有限公司**
GUANG DONG KE SI DA ELECTRONIC TECHNOLOGY CO., LTD.

| | | | | | | | | | |
|------------------------------------|--------------|-------------------|--------------------|--------------------|------------|--------------|---|-------|----|
| TOLERANCE UNLESS OTHERWISE STATED: | Up to 5 ±0.2 | Above 5 ~ 15 ±0.3 | Above 15 ~ 30 ±0.4 | Above 30 ~ 50 ±0.5 | Angle ±0.3 | 3RD. ANGEL'S |  | UNITS | MM |
|------------------------------------|--------------|-------------------|--------------------|--------------------|------------|--------------|---|-------|----|

| | | | | |
|--------------|----------|-----------|----------|----------------------|
| DRAWN BY: | DATE | MAT'L | TITLE | SWITCH |
| Jack Lu | 12/27/22 | | | |
| CHECKED BY: | DATE | FINISH | MODLE | TACT SWITCH WITH LED |
| Jacky Chen | 12/27/22 | | | |
| APPROVED BY: | DATE | SCALE | DWG NO. | SIZE |
| Tony Kao | 12/27/22 | 1 : 1 | | A4 |
| | | SHEET NO. | PART NO. | VER |
| | | 1 of 1 | | R |

| | | | |
|----------|-------------|-------|------|
| ITEM NO. | DESCRIPTION | DRAWN | DATE |
| | | | |