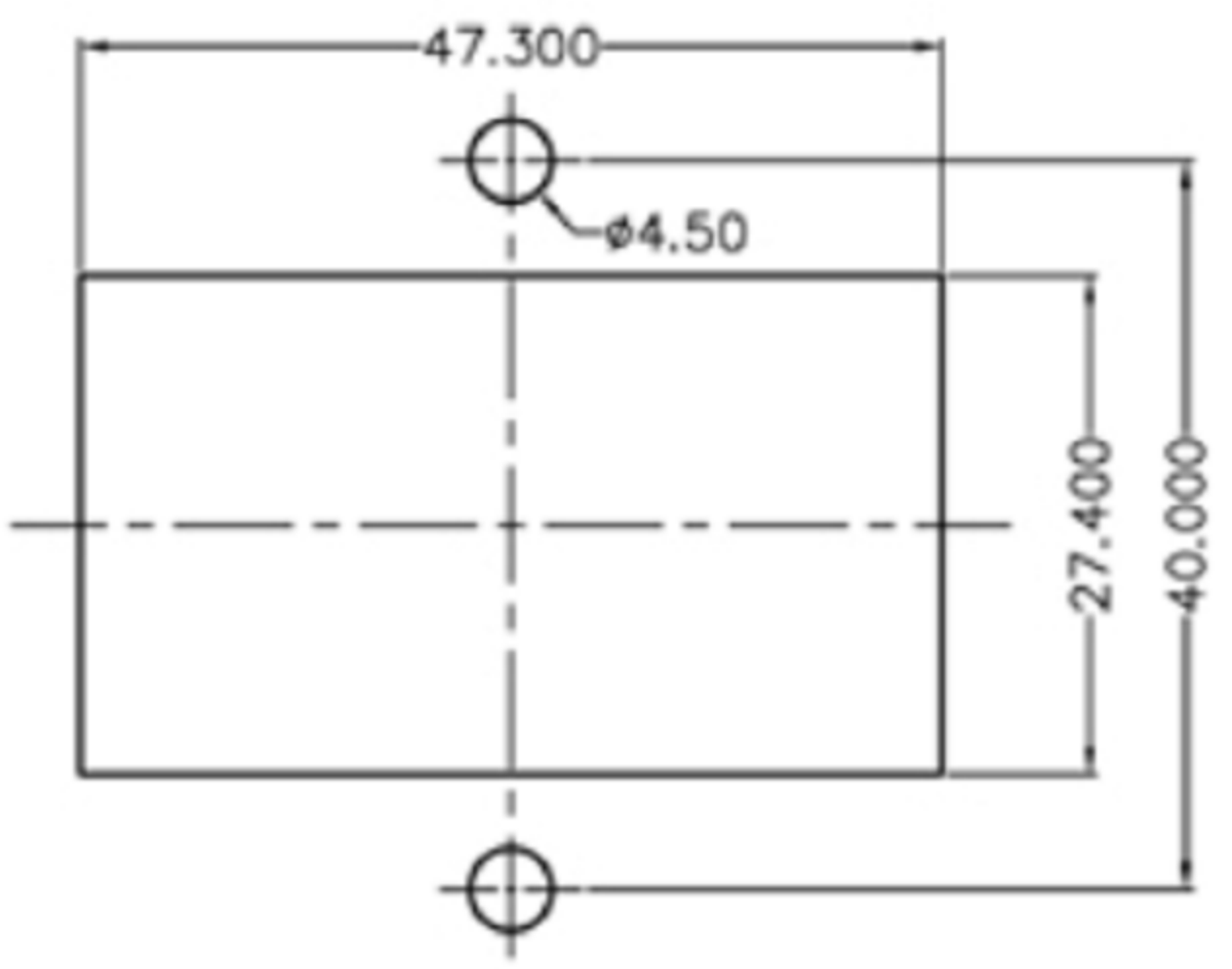


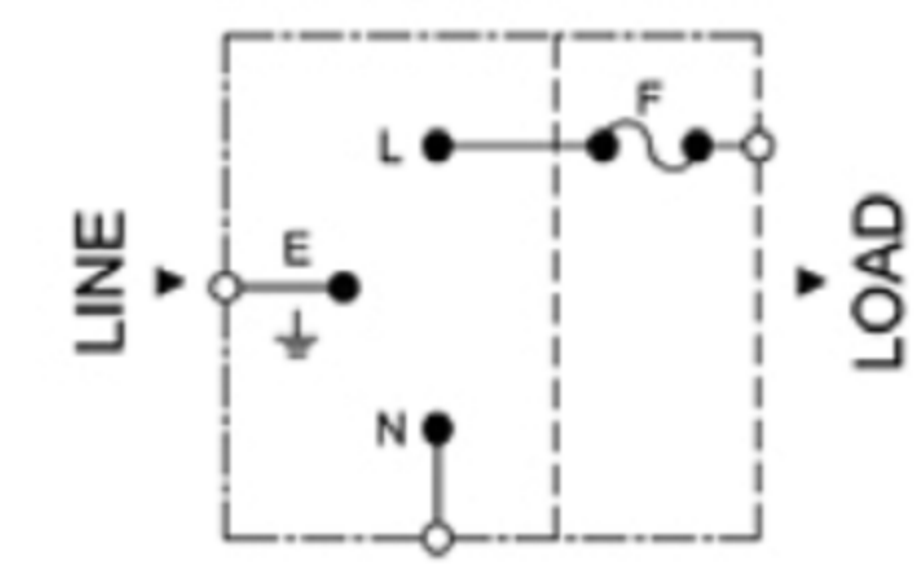
Rating: 10A 250VAC(UL CUL)
 10A 250VAC(ENEC K-MARK)
 10A 250VAC(CCC)

Insulation Resistance:DC 500V 100MΩ Min
 Dielectric Strength:AC 2000V1minute
 Fuse:Ø5.0x20mm

MATERIAL:
 Base: PBT;
 Cap: PA,UL rated: 94 V-2 Min. ;
 Terminal: Copper alloy,Tin plated .



PANEL CUT-OUT



广东科斯达电子科技有限公司
 GUANG DONG KE SI DA ELECTRONIC TECHNOLOGY CO., LTD.

TOLERANCE UNLESS OTHERWISE STATED:
 Up to 5 ±0.2
 Above 5 ~ 15 ±0.3
 Above 15 ~ 30 ±0.4
 Above 30 ~ 50 ±0.5
 Angle ±0.3

3RD. ANGEL'S

UNITS MM

DRAWN BY:	DATE	MAT'L	TITLE	SWITCH
Jack Lu	12/27/22			
CHECKED BY:	DATE	FINISH	MODLE	TACT SWITCH WITH LED
Jacky Chen	12/27/22			
APPROVED BY:	DATE	SCALE	DWG NO.	SIZE
Tony Kao	12/27/22	1 : 1		A4
		SHEET NO.	PART NO.	VER
		1 of 1		R