



Fuse holder for overload protection

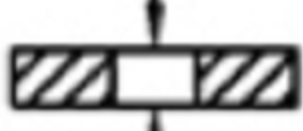
Screw-in mounting

Rating: 10A 250VAC

10A/2.5W 250VAC

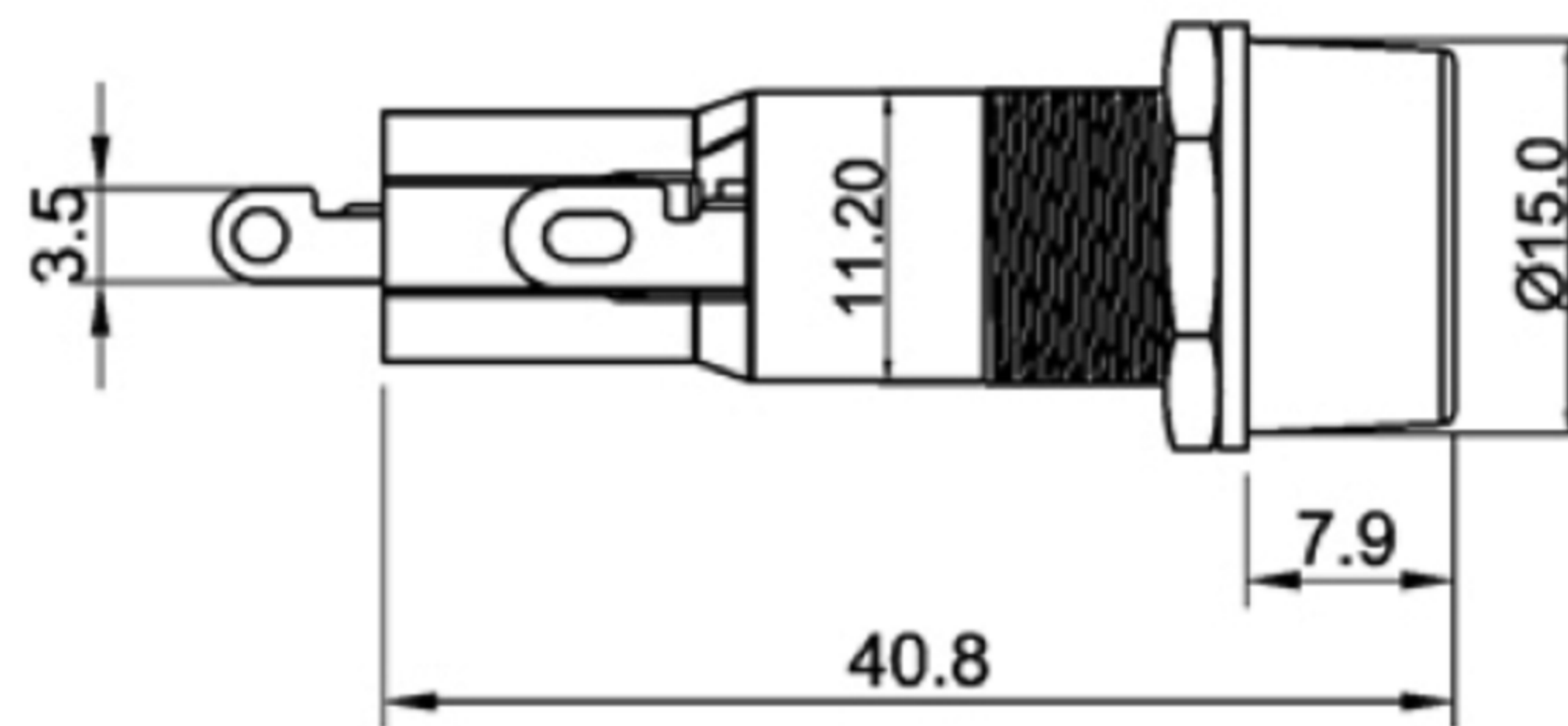
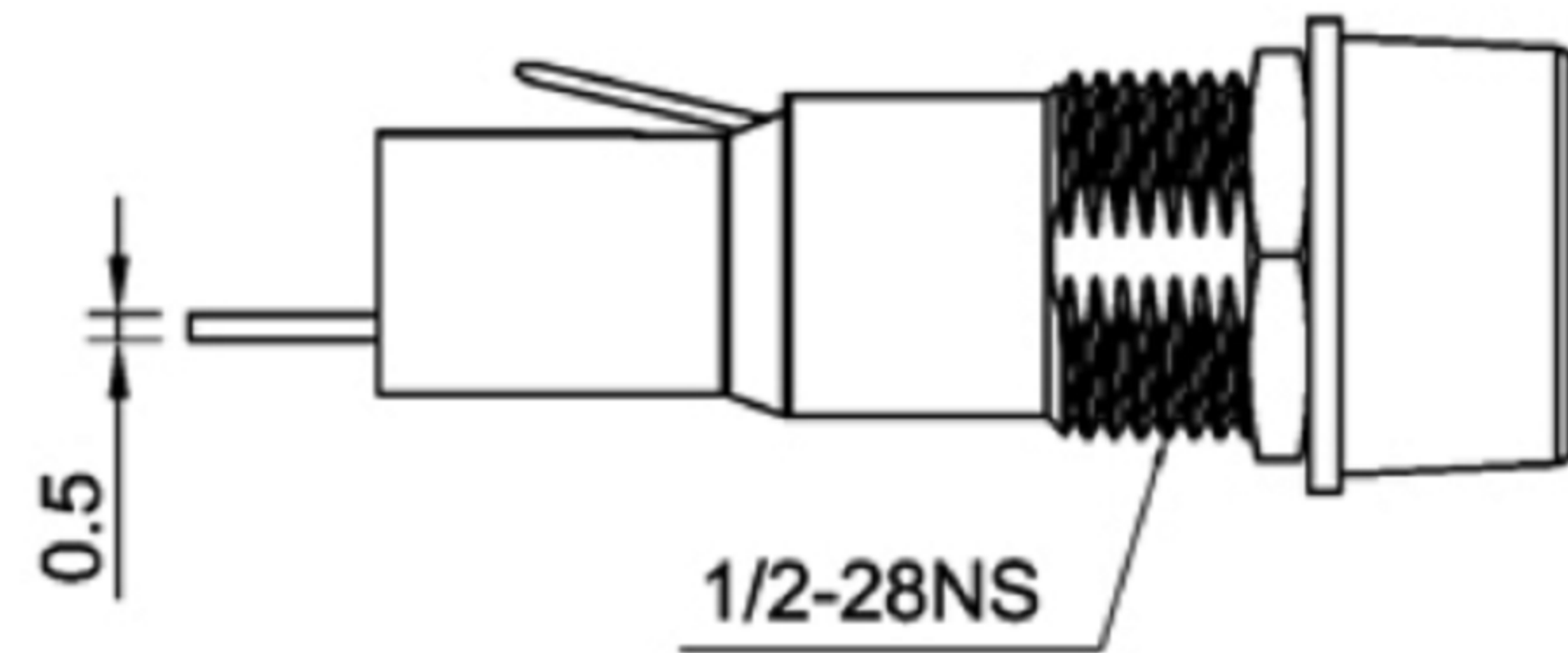
Fuse:  $\varnothing 5.0 \times 20 \text{mm}$  

Cap: Screw type

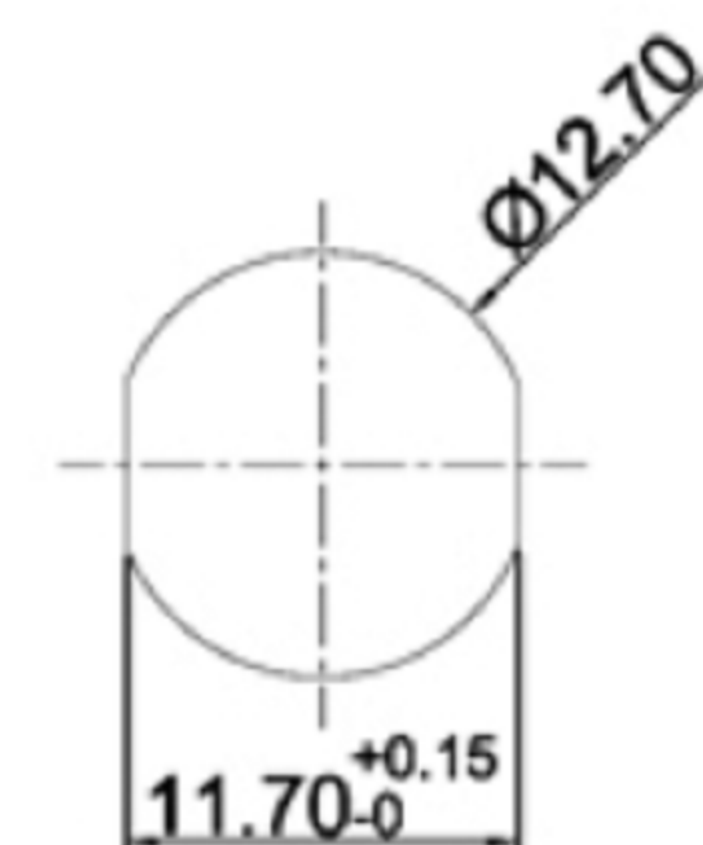
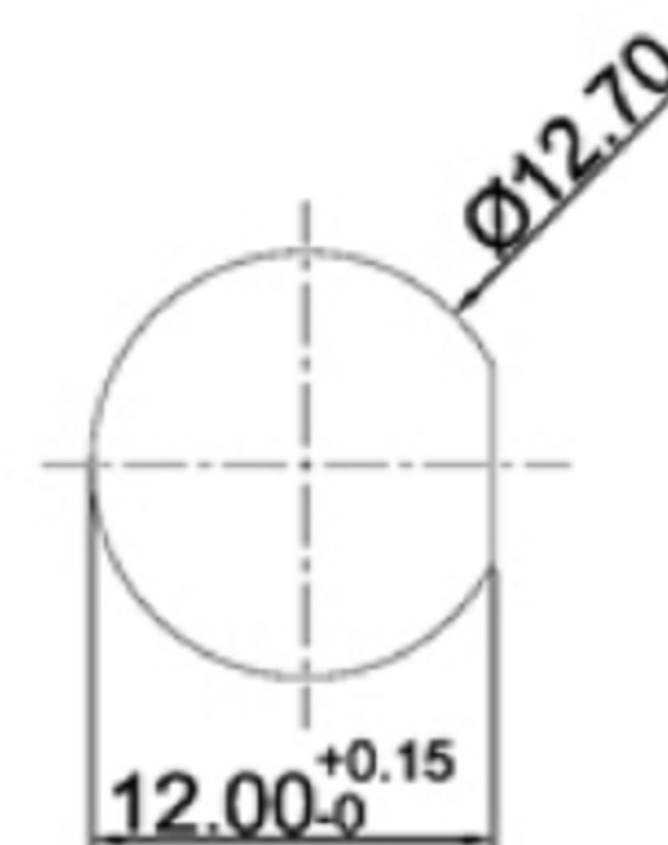
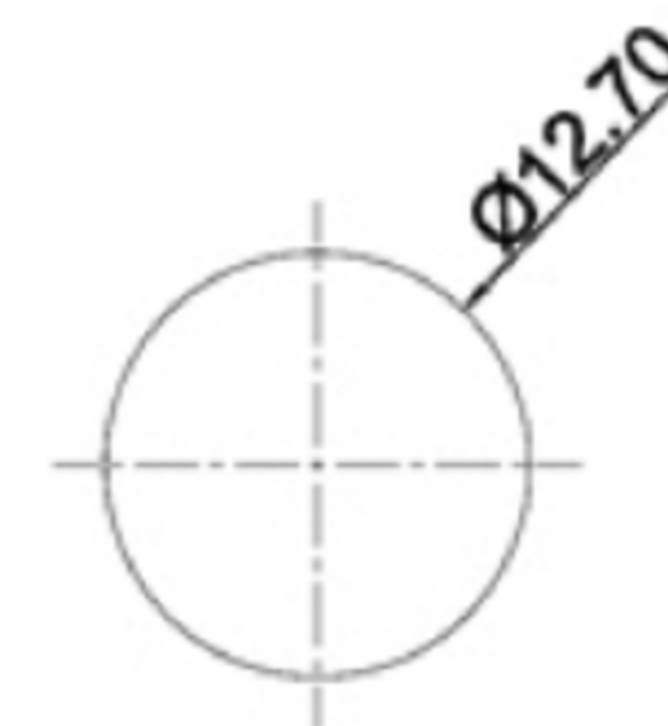
Panel thickness: 4.5mm max 

Operating Temperature:  $-10^{\circ}\text{C} \sim +70^{\circ}\text{C}$

Welding method: Manual Soldering ( $350^{\circ}\text{C}, 3\text{s} \pm 0.5\text{s}$ )

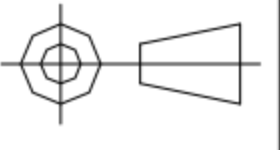


CUT-OUT



 **广东科斯达电子科技有限公司**  
**GUANG DONG KE SI DA ELECTRONIC TECHNOLOGY CO., LTD.**

TOLERANCE UNLESS OTHERWISE STATED:   
 Up to 5  $\pm 0.2$    
 Above 5 ~ 15  $\pm 0.3$    
 Above 15 ~ 30  $\pm 0.4$    
 Above 30 ~ 50  $\pm 0.5$    
 Angle  $\pm 0.3$

3RD. ANGEL'S  UNITS MM

DRAWN BY:	DATE	MAT'L	TITLE	SWITCH
Jack Lu	12/27/22			
CHECKED BY:	DATE	FINISH	MODLE	TACT SWITCH WITH LED
Jacky Chen	12/27/22			
APPROVED BY:	DATE	SCALE	DWG NO.	SIZE
Tony Kao	12/27/22	1 : 1		A4
		SHEET NO.	PART NO.	VER
		1 of 1		R