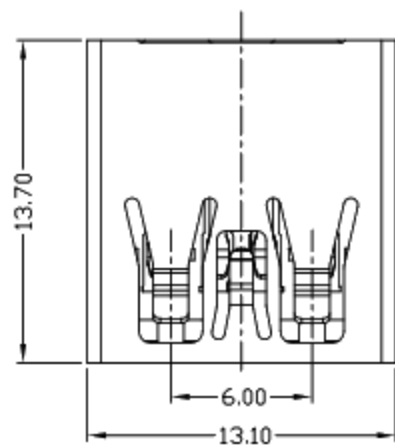


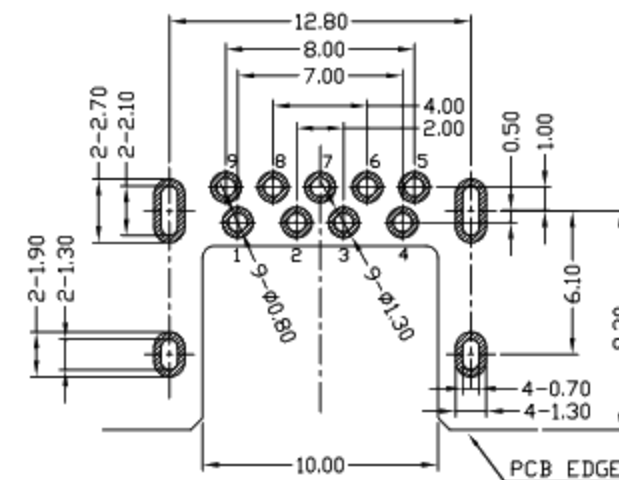
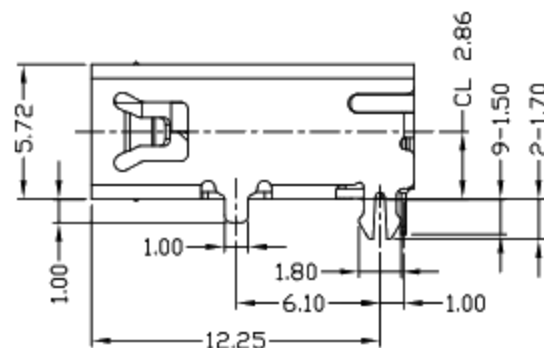
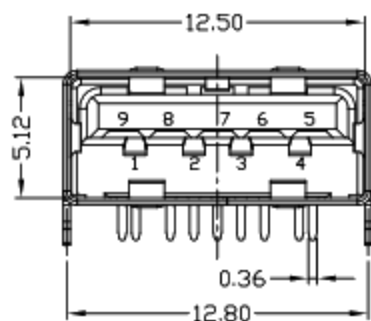
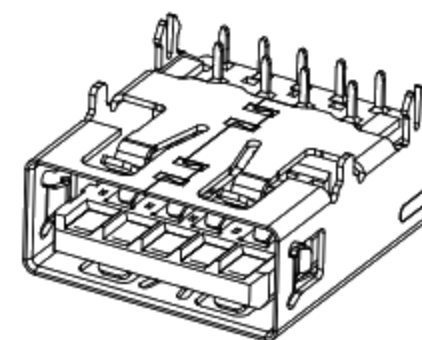


RoHS
Compliant
2002/95/EC

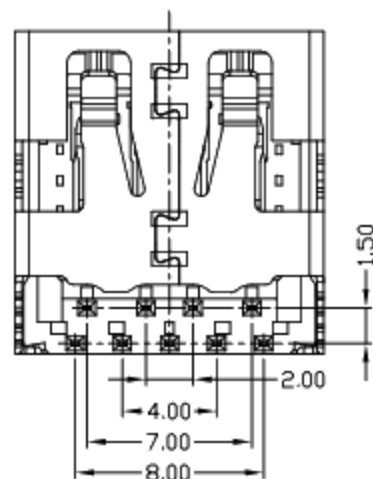
REV.	ECN.	NO.	APPD.



Pin #	SIGNAL NAME	DESCRIPTION	MATING SEQUENCE
1	VBUS	POWER	SECOND
2	D-	USB 2.0 DIFFERENTIAL PAIR	THIRD
3	D+		
4	GND	GROUND FOR POWER RETURN	SECOND
5	StdA_SSRX-	SUPERSPEED RECEIVER DIFFERENTIAL PAIR	LAST
6	StdA_SSRX+		
7	GND_DRAIN	GROUND FOR SIGNAL RETURN	
8	StdA_SSTX-	SUPERSPEED TRANSMITTER DIFFERENTIAL PAIR	
9	StdA_SSTX+		
Shell	Shield	CONNECTOR METAL SHELL	FRIST



RECOMMENDED PCB LAYOUT



NOTES:

- ELECTRICAL:
 - CURRENT RATING: 1.5AMP;
 - INSULATION RESISTANCE: 100MΩ MIN;
 - CONTACT RESISTANCE: 30mΩ MAX;
 - WITHSTANDING VOLTAGE: 100V AC;
 - OPERATING TEMPERATURE: -25°C ~ +75°C.
- Mechanical:
 - Mating Force: 35N MAX
 - Unmating Force: 10N MIN.
- DIMENSIONS MARKED "▼" TO BE CHECKED BY Q.C & IPQC.

4. PART NO.

1Au 1U"
5Au 15U"
6Au 30U"

W: WHITE
B: BLACK
BL: BLUE
1PBT
2PA6T
3PA9T
4LCP

Bill of materials:

NO	PARTS	MATERIAL	QTY	FINISHING	X.	X' ±2"	UNITS	mm
3	SHELL	STAINLESS STEEL	1	PLATED NICKEL	.X ±0.35	.X' ±2"		
2	TERMINAL	COPPER ALLOY	9	PLATED GOLD/TIN	.X ±0.3	.X' ±1"		
1	HOUSING	PA9T	1	UL94V-0	.XX ±0.25	.XX"		
					.XXX ±0.15	.XXX"		
					THESE DRAWINGS AND SPECIFICATIONS ARE THE PROPERTY OF ACCURATE INNOVATECH INC AND SHALL NOT BE REPRODUCED, COPIED OR USED IN ANY MANNER WITHOUT THE PRIOR WRITTEN CONSENT OF ACCURATE INNOVATECH INC.			
							Q'TY	

廣東科斯達電子科技有限公司

TITLE: USB 3.0 AF 90度 DIP II-5.7 L-13.7 CL=2.80mm	PART NO.:
DR: gan 2016/08/30	DWG NO.:
CHKD: gan 2016/08/30	SCALE SHEET REV. CUSTOMER DRAWING
APPD:	1:1 1/1 B