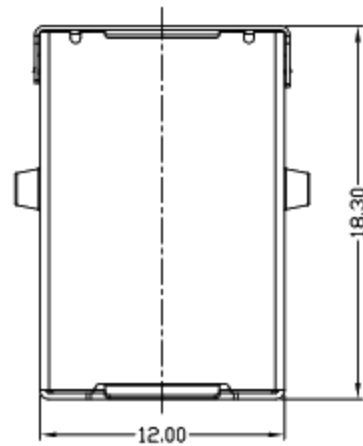


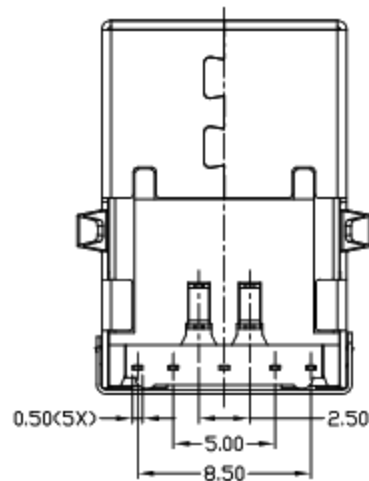
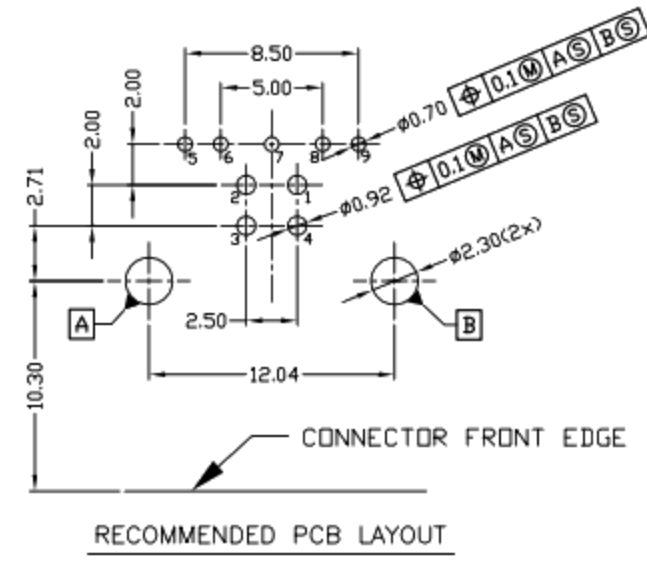
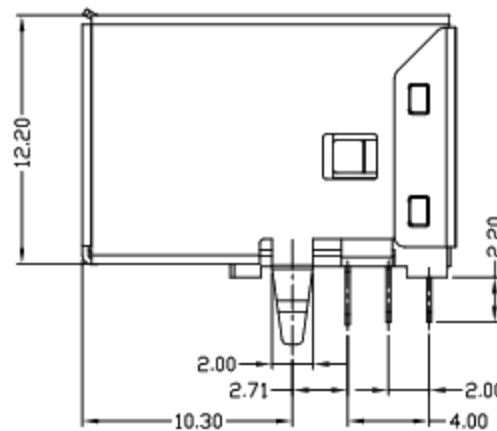
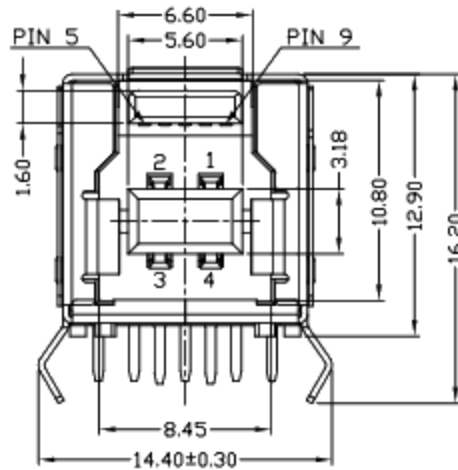


RoHS
Compliant
2002/95/EC

REV.	ECN.	NO.	APPD.



PIN NUMBER	SIGNAL NAME
1	VBUS
2	D-
3	D+
4	GND
5	STDA_SSTX-
6	STDA_SSTX+
7	GND_DRAIN
8	STDA_SSRX-
9	STDA_SSRX+
Shell	Shield



- NOTES:
- ELECTRICAL:
 - CURRENT RATING: 1.5AMP;
 - INSULATION RESISTANCE: 100MΩ MIN;
 - CONTACT RESISTANCE: 30mΩ MAX;
 - WITHSTANDING VOLTAGE: 100V AC;
 - OPERATING TEMPERATURE: -40°C ~ +85°C.
 - Mechanical:
 - Mating Force: 35N MAX
 - Unmating Force: 10N MIN.
 - DIMENSIONS MARKED "▼" TO BE CHECKED BY Q.C & IPQC.

4. PART NO.

1-Au 1U"
5-Au 15U"
6-Au 30U"

W: WHITE
B: BLACK
BL: BLUE

1-PA6T
2-PA6T
3-PA9T
4-LCP

Bill of materials:

NO	PARTS	MATERIAL	QTY	FINISHING	UNITS	mm
5	HOUSING	LCP+30%GF	1	UL94V-0	X. ±0.35	X.* ±2*
4	BACK COVER	COPPER ALLOY/SPCC	1	PLATED NICKEL	.X ±0.3	.X* ±1*
3	SHELL	COPPER ALLOY	1	PLATED NICKEL	.XX ±0.25	.XX*
2	TERMINAL(4P)	COPPER ALLOY	4	PLATED GOLD/TIN	.XXX ±0.15	.XXX*
1	TERMINAL(5P)	COPPER ALLOY	5	PLATED GOLD/TIN	THESE DRAWINGS AND SPECIFICATIONS ARE THE PROPERTY OF ACCURATE INNOTECH INC AND SHALL NOT BE REPRODUCED, COPIED OR USED IN ANY MANNER WITHOUT THE PRIOR WRITTEN CONSENT OF ACCURATE INNOTECH INC.	

廣東科斯達電子科技有限公司

TITLE: USB 3.0 RF DTP 90度 弯脚	PART NO.:
DR: gan 2016/08/30	DWG NO.:
CHKD: gan 2016/08/30	SCALE: 1:1
APPD:	SHEET: 1/1
	REV. B
	CUSTOMER DRAWING