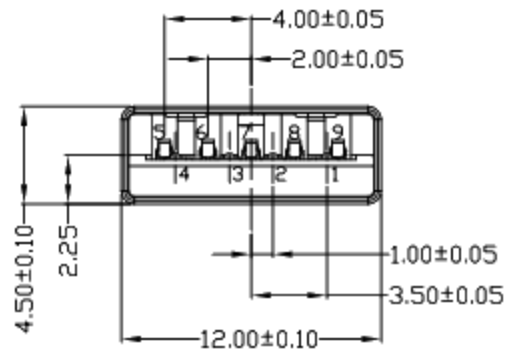
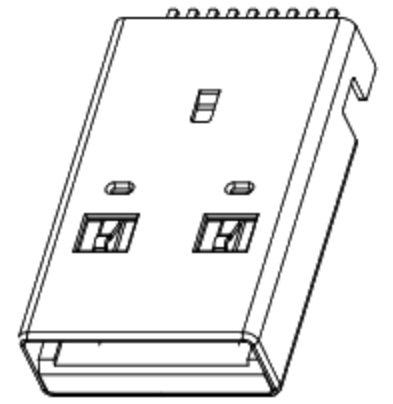
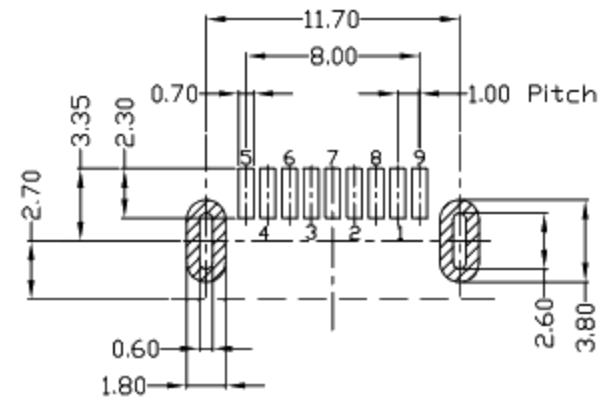
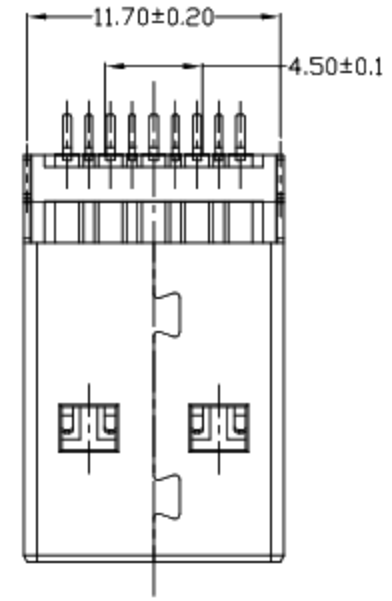
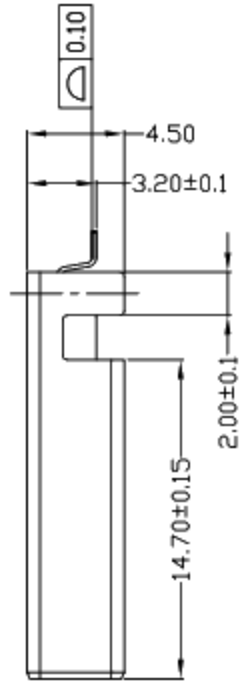
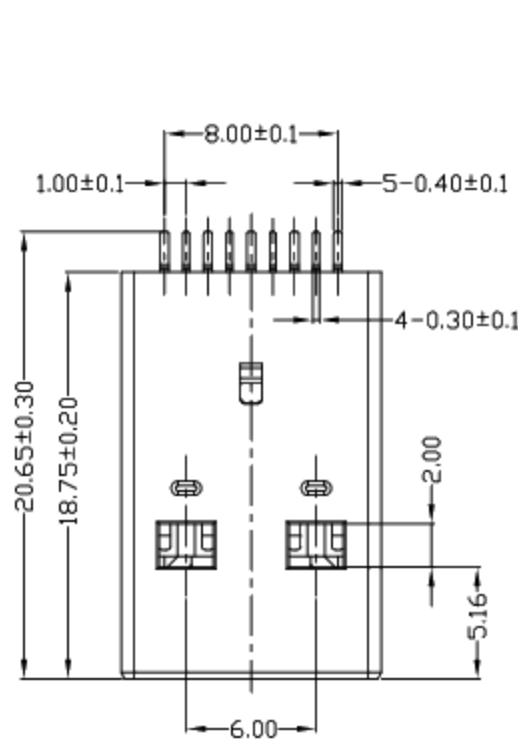




RoHS
Compliant
2002/95/EC

REV	LTR	DESCRIPTION	DATE	REVISER	APPD



NOTES:
1.ELECTRICAL:
 1) VOLTAGE CURRENT RATING: 1.5AMP, 30V AC;
 2) INSULATION RESISTANCE: 100MΩ MIN;
 3) CONTACT RESISTANCE: 30mΩ MAX;
 4) WITHSTANDING VOLTAGE: 500V AC;
 5) OPERATING TEMPERATURE: -55°C TO +85°C.
2.Mechanical:
 1) Mating Force: 35N MAX
 2) Unmating Force: 10N MIN.
3.DIMENSIONS MARKED "▼"
 TO BE CHECKED BY Q.C & IPQC.

4. PART NO.
 1Au 10"
 5Au 15U"
 6Au 30U"
 W: WHITE
 B: BLACK
 BL: BLUE
 1PBT
 2PA6T
 3PA9T
 4LCP

Bill of materials:

NO	PARTS	MATERIAL	QTY	FINISHING
3	HOUSING	LCP+30%GF	1	PLATED NICKEL
2	SHELL	SPCC	1	UL94V-0
1	TERMINAL	COPPER ALLOY	9	PLATED GOLD/TIN

X	X'	UNITS
±0.35	±2'	mm
±0.3	±1'	MAT'L
±0.25	±1'	SEE NOTE
±0.15	±1'	FINISH
		SEE NOTE
		Q'TY

廣東科斯達電子科技有限公司

TITLE: USB AM 3.0 L=18.7MM 沉板3.2MM 无柱(外壳脚长4.50MM) 锡脚1.9	PART NO.:
DR: <i>Ricky</i> 2019/2/18	DWG NO.:
CHKD: <i>Ricky</i> 2019/2/18	SCALE SHEET REV. CUSTOMER DRAWING
APPD:	1:1 1/1 B

THESE DRAWINGS AND SPECIFICATIONS ARE THE PROPERTY OF ACCURATE INNOTECH INC AND SHALL NOT BE REPRODUCED, COPIED OR USED IN ANY MANNER WITHOUT THE PRIOR WRITTEN CONSENT OF ACCURATE INNOTECH INC