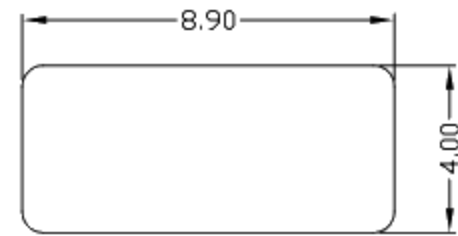
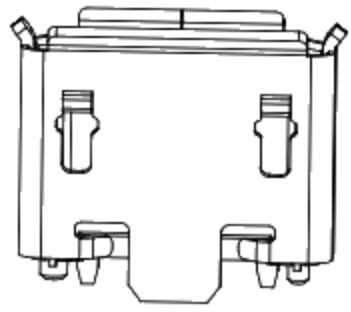
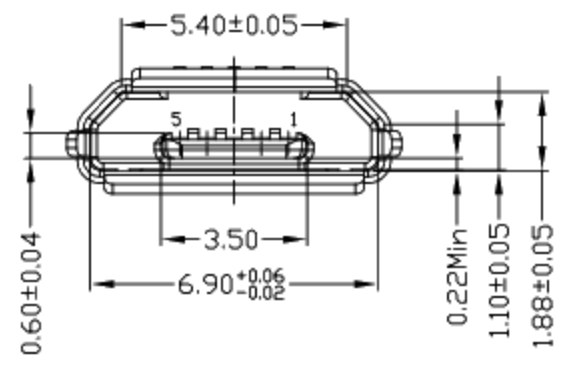
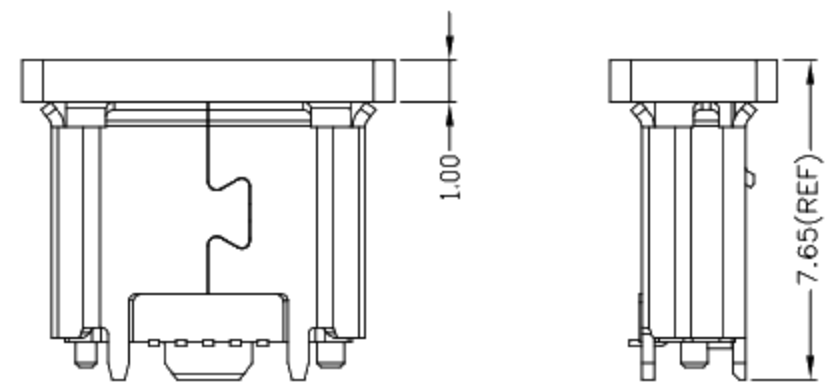
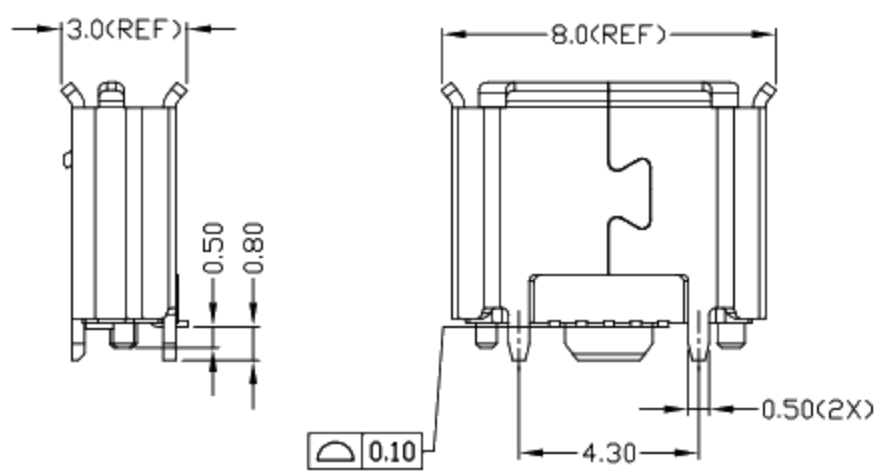
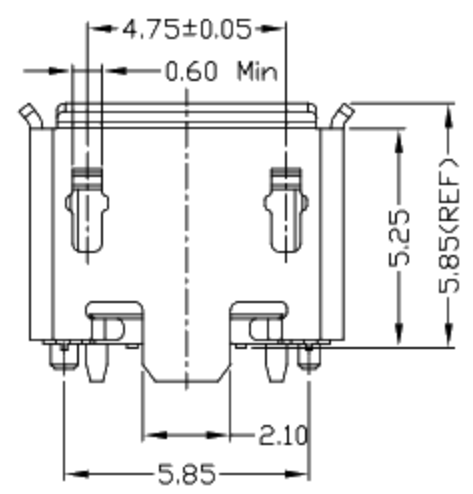


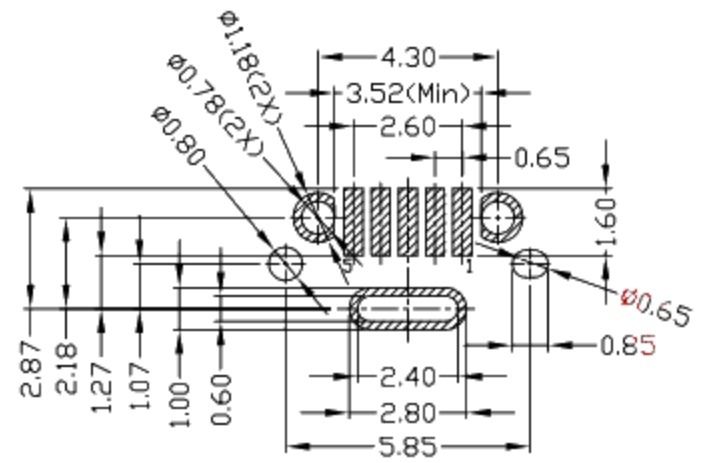
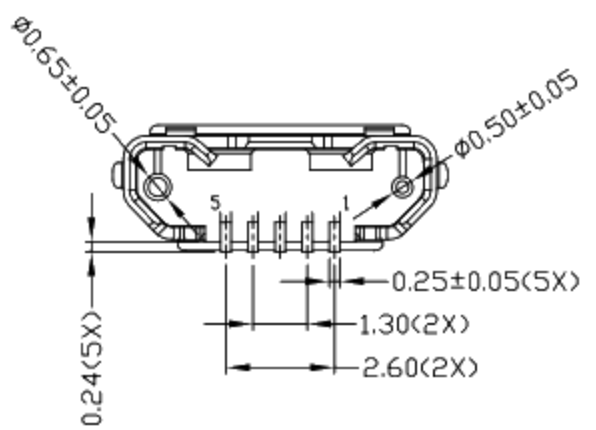
REV	LTR	DESCRIPTION	DATE	REVISER	APPD



PIN	NAME
5	GND
4	ID
3	D+
2	D-
1	VBUS



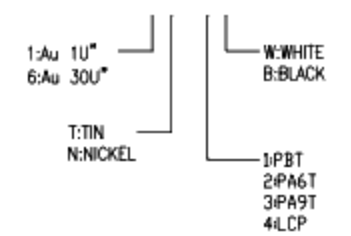
CAP DIMENSION SKETCH MAP



RECOMMENDED PCB LAYOUT(TOP VIEW)
DEFAULT TOLERANCE:±0.05

- NOTES:
- ELECTRICAL:
 - VOLTAGE CURRENT RATING:PIN1&5 1.8AMP MAX / PIN2&3&4 0.5AMP MAX. ,30V AC;
 - INSULATION RESISTANCE: 100MΩ MIN;
 - CONTACT RESISTANCE: 30mΩ MAX;
 - WITHSTANDING VOLTAGE: 100V AC; FOR 1 MIN.
 - OPERATING TEMPERATURE:-25°C TO +85°C.
 - Mechanical:
 - Mating Force: 35N MAX
 - Unmating Force: 8N MIN.
 - DIMENSIONS MARKED "▼" TO BE CHECKED BY Q.C & IPQC.

4. PART NO.



Bill of materials:

NO	PARTS	MATERIAL	QTY	FINISHING
5				X.X ±0.30 X.* ±10*
4	CAP	LCP+30%GF	1	UL94V-0
3	SHELL	STAINLESS STEEL	1	PLATED NICKEL
2	CONTACT	COPPER ALLOY	5	PLATED GOLD
1	HOUSING	LCP+30%GF	1	UL94V-0

UNITS	mm
MAT'L	SEE NOTE
FINISH	SEE NOTE
Q'TY	SEE NOTE

利铭电子科技有限公司

TITLE: MICRO USB B TYPE F 5P 180 度 SMT 有翻边带柱.	PART NO.:			
DR: <i>Ricky</i> 2019/08/13	DWG NO.:			
CHKD: <i>Ricky</i> 2019/08/13	SCALE	SHEET	REV.	CUSTOMER DRAWING
APPD:	1:1	1/1	B	

THESE DRAWINGS AND SPECIFICATIONS ARE THE PROPERTY OF ACCURATE INNOTECH INC AND SHALL NOT BE REPRODUCED, COPIED OR USED IN ANY MANNER WITHOUT THE PRIOR WRITTEN CONSENT OF ACCURATE INNOTECH INC