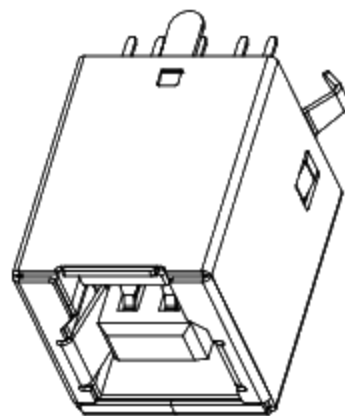
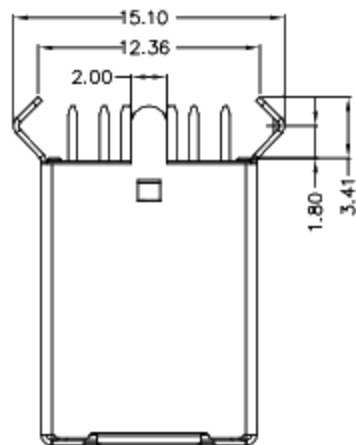


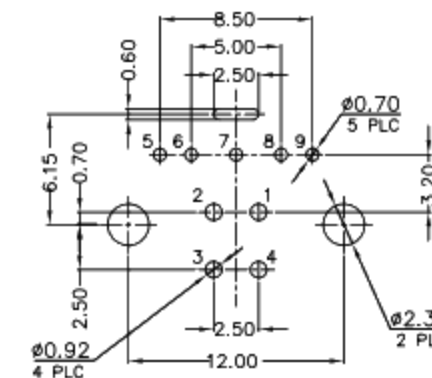
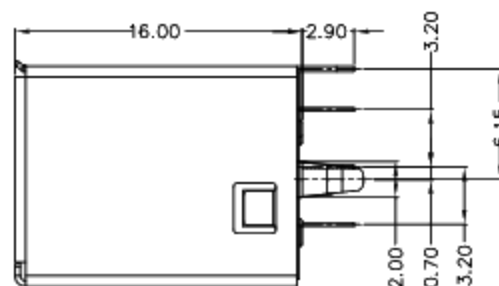
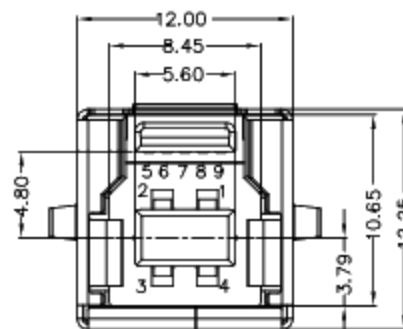


RoHS  
Compliant  
2002/95/EC

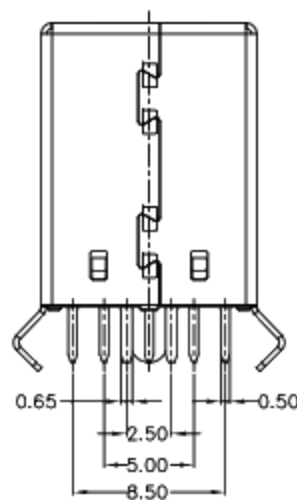
REV.	ECN.	NO.	APPD.



Pin NUMBER	SIGNAL NAME
1	VBUS
2	D-
3	D+
4	GND
5	StdB_SSTX-
6	StdB_SSTX+
7	GND_DRAIN
8	StdB_SSRX-
9	StdB_SSRX+
Shell	Shield



RECOMMEND P.C.B LAYOUT COMPONENT SIDE  
DEFAULT TOLERANCES: ±0.05 (PCB T=1.6mm)



NOTES:

1. ELECTRICAL:

- VOLTAGE CURRENT RATING: 1.8AMP, 30V AC;
- INSULATION RESISTANCE: 100MΩ MIN;
- CONTACT RESISTANCE: 30mΩ MAX;
- WITHSTANDING VOLTAGE: 100V AC;
- OPERATING TEMPERATURE: -55°C TO +85°C.

2. Mechanical:

- Mating Force: 35N MAX
- Unmating Force: 10N MIN.

3. NOTE: 1. DIMENSIONS MARKED "\*" TO BE CHECKED BY Q.C & IPQC.

4. PART NO.

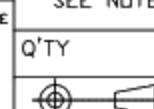
1: Au 10u\*  
5: Au 15u\*  
6: Au 30U\*

W: WHITE  
B: BLACK  
BL: BLUE  
1: PBT  
2: PA6T  
3: PA9T  
4: LCP

Bill of materials:

NO	PARTS	MATERIAL	QTY	FINISHING	UNITS	mm
5	COVER	LCP+30%GF	1	UL94V-0	X. ±0.35	X.* ±2*
4	HOUSING	LCP+30%GF	1	UL94V-0	.X ±0.3	.X* ±1*
3	SHELL	COPPER ALLOY	1	PLATED NICKEL	.XX ±0.25	.XX*
2	SPRING CONTACT(4P)	COPPER ALLOY	4	PLATED GOLD/TIN	.XXX ±0.15	.XXX*
1	FLAT CONTACT(5P)	COPPER ALLOY	5	PLATED GOLD/TIN		
NO	PARTS	MATERIAL	QTY	FINISHING		

THESE DRAWINGS AND SPECIFICATIONS ARE THE PROPERTY OF ACCURATE INNOTECH INC AND SHALL NOT BE REPRODUCED, COPIED OR USED IN ANY MANNER WITHOUT THE PRIOR WRITTEN CONSENT OF ACCURATE INNOTECH INC



廣東科斯達電子科技有限公司

TITLE:	USB 3.0 BF DIP 180度	PART NO.:	
DR:	Ricky 2018/11/20	DWG NO.:	
CHKD:	Ricky 2018/11/20	SCALE	1:1
APPD:		SHEET	1/1
		REV.	B
		CUSTOMER DRAWING	