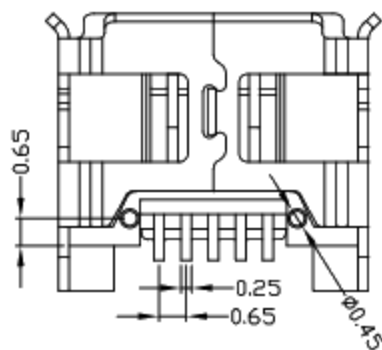
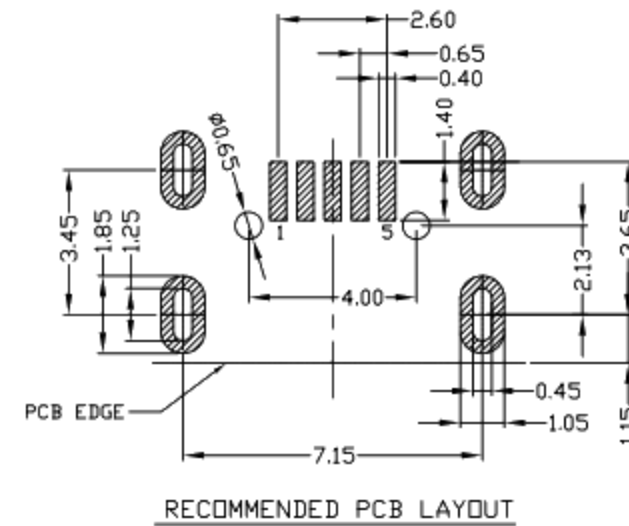
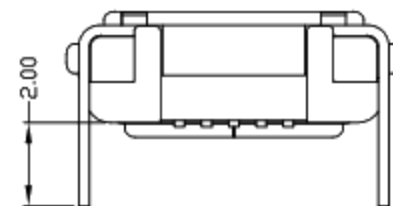
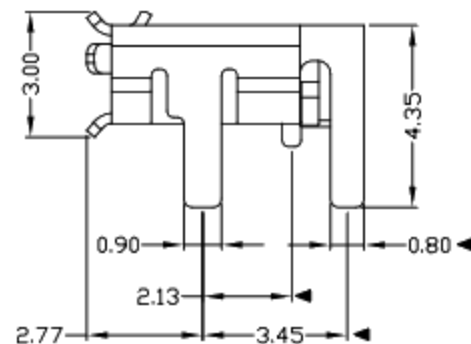
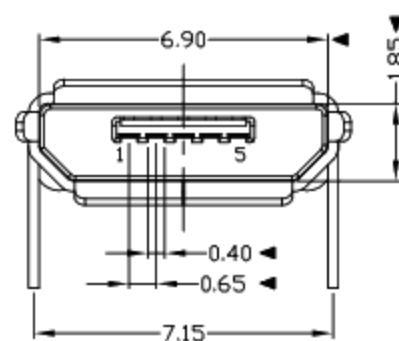
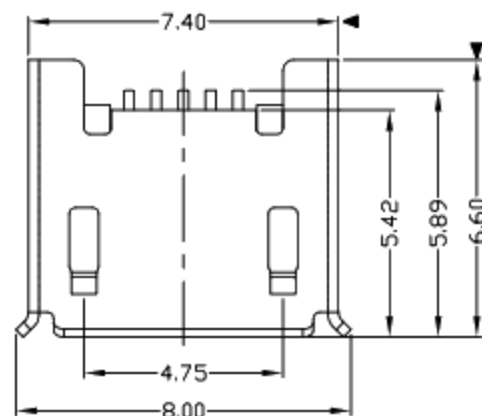




RoHS
Compliant
2002/95/EC

REV.	ECN. NO.	APPD.



NOTES:

1. ELECTRICAL:

- 1) VOLTAGE CURRENT RATING: 1.0AMP,30V AC;
- 2) INSULATION RESISTANCE: 100MΩ MIN;
- 3) CONTACT RESISTANCE: 50mΩ MAX;
- 4) WITHSTANDING VOLTAGE: 300V AC;
- 5) OPERATING TEMPERATURE:-55°C TO +85°C.

2. Mechanical:

- 1) Mating Force: 30N MAX
- 2) Unmating Force: 7N MIN.

3. DIMENSIONS MARKED "▼" TO BE CHECKED BY Q.C & IPQC.

4.PART NO.

1:AU 1U"	W:WHITE
6:AU 30U"	B:BLACK
T:TIN	1:PBT
N:NICKEL	2:PA6T
	3:PA9T
	4:LCP

Bill of materials:

NO	PARTS	MATERIAL	QTY	FINISHING
3	HOUSING	LCP+30%GF	1	UL94V-0
2	SHELL	COPPER ALLOY	1	PLATED TIN/NICKEL
1	TERMINAL	COPPER ALLOY	5	PLATED GOLD

X. ±0.35	X.* ±2'	UNITS
.X ±0.3	.X* ±1'	mm
.XX ±0.25	.XX*	MAT'L
.XXX ±0.15	.XXX*	SEE NOTE
		FINISH
		SEE NOTE
		Q'TY

THESE DRAWINGS AND SPECIFICATIONS ARE THE PROPERTY OF ACCURATE INNOTECH INC AND SHALL NOT BE REPRODUCED, COPIED OR USED IN ANY MANNER WITHOUT THE PRIOR WRITTEN CONSENT OF ACCURATE INNOTECH INC



廣東科斯達電子科技有限公司

TITLE: MICRO USB B TYPE 5P/F DIP (有柱/四脚2.0)	PART NO.:			
DR: gan 2013/9/30	DWG NO.:			
CHKD: gan 2013/9/30	SCALE	SHEET	REV.	CUSTOMER DRAWING
APPD:	1:1	1/1	B	