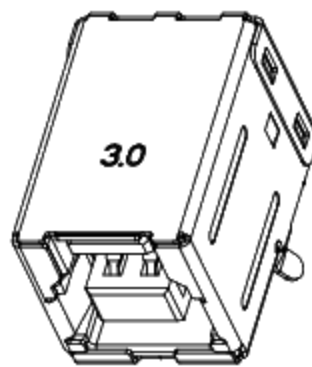
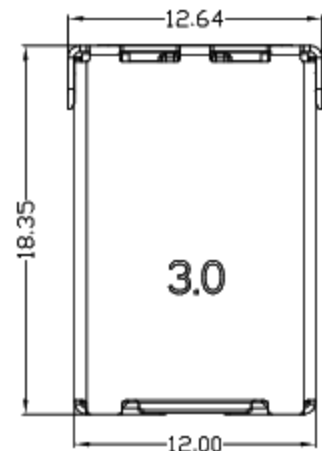


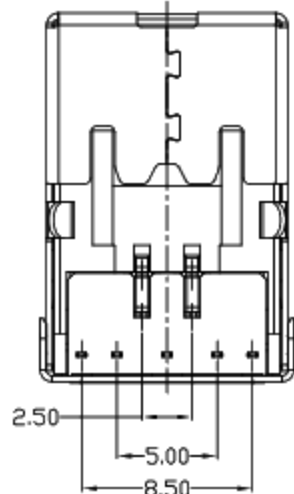
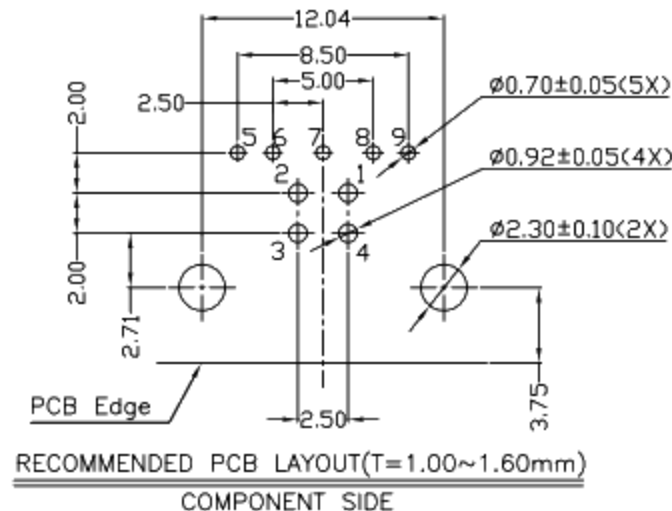
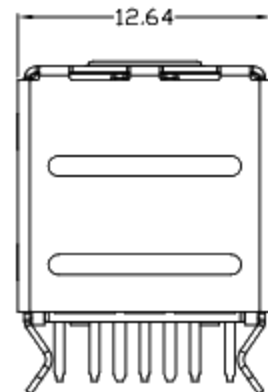
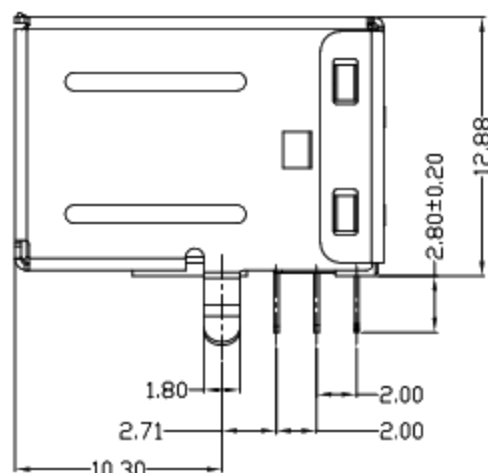
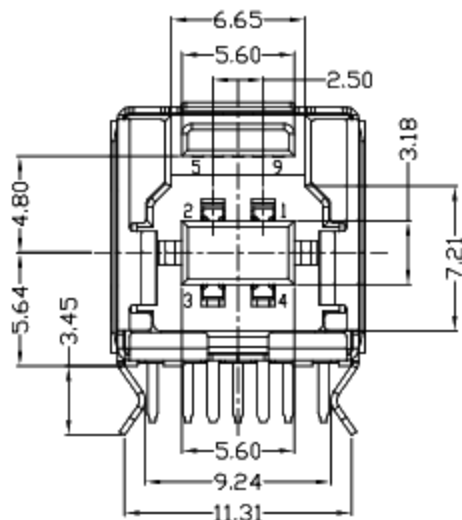


RoHS
Compliant
2002/95/EC

REV	LTR	DESCRIPTION	DATE	REVISER	APPD



3D VIEW



NOTES:

1.ELECTRICAL:

- 1)CURRENT RATING: 1.5AMP.
- 2)INSULATION RESISTANCE: 1000MΩ MIN;
- 3)CONTACT RESISTANCE: 30mΩ MAX;
- 4)WITHSTANDING VOLTAGE: 500V AC;
- 5)OPERATING TEMPERATURE: -40°C TO +85°C.

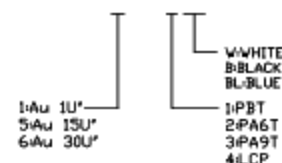
2.Mechanical:

- 1)Mating Force: 35N MAX
- 2)Unmating Force: 10N MIN.

3.DIMENSIONS MARKED "▼"

TO BE CHECKED BY Q.C & IPQC.

4.PART NO.



Bill of materials:

NO	PARTS	MATERIAL	QTY	FINISHING
4	HOUSING	LCP+30%GF	1	UL94V-0
3	SHELL	COPPER ALLOY	1	PLATED NICKEL
2	TERMINAL(4P)	COPPER ALLOY	4	PLATED GOLD/TIN
1	TERMINAL(5P)	COPPER ALLOY	5	PLATED GOLD/TIN

UNITS	mm
X. ±0.35	X.' ±2'
.X ±0.3	.X' ±1'
.XX ±0.25	.XX'
.XXX ±0.15	.XXX'

THESE DRAWINGS AND SPECIFICATIONS ARE THE PROPERTY OF ACCURATE INNOTECH INC. AND SHALL NOT BE REPRODUCED, COPIED OR USED IN ANY MANNER WITHOUT THE PRIOR WRITTEN CONSENT OF ACCURATE INNOTECH INC.

廣東科斯達電子科技有限公司

TITLE: USB3.0 BF 90° DTP
内弯脚 III2.9

DR: *Ricky* 2019/2/15

CHKD: *Ricky* 2019/2/15

APPD:

PART NO.:

DWG NO.:

SCALE	SHEET	REV.	CUSTOMER DRAWING
1:1	1/1	B	