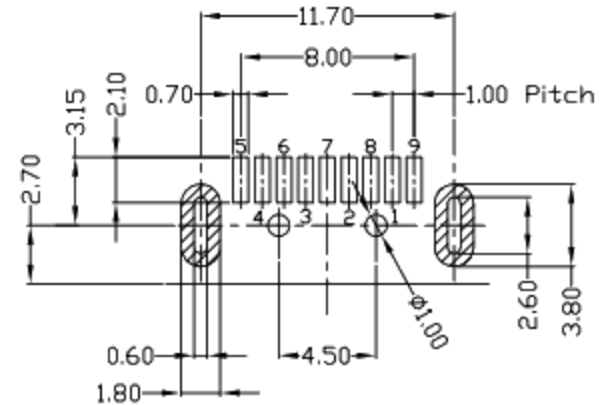
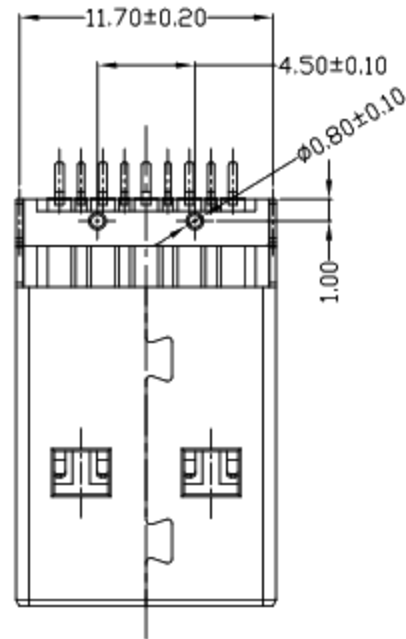
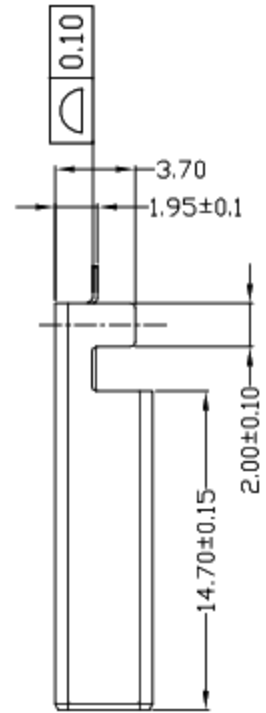
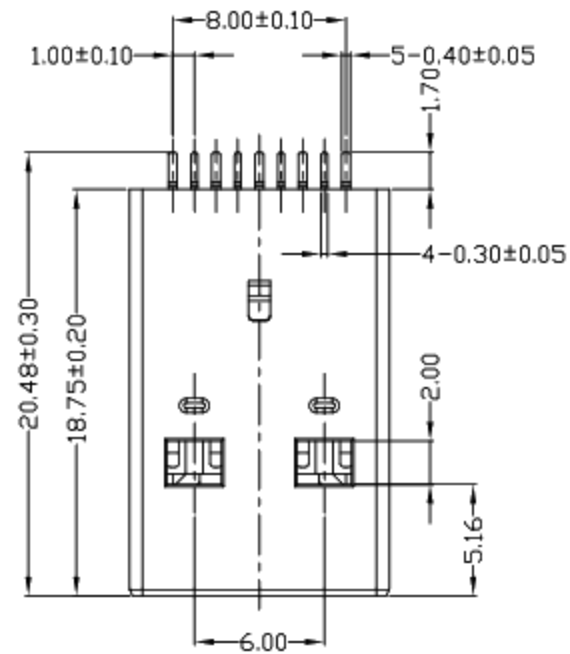


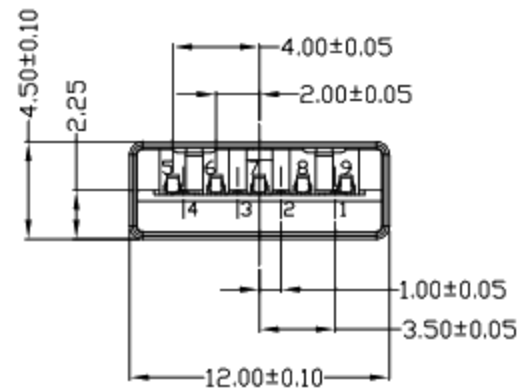
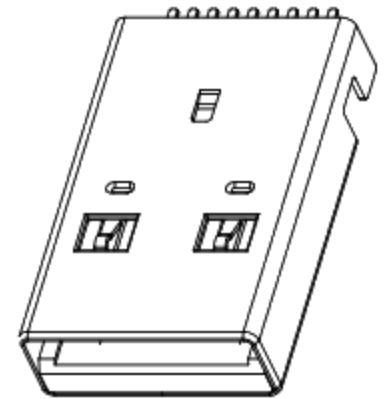


RoHS  
Compliant  
2002/95/EC

REV	LTR	DESCRIPTION	DATE	REVISER	APPD



RECOMMENDED P.C.B LAYOUT



NOTES:

1.ELECTRICAL:

- 1)VOLTAGE CURRENT RATING:1.5AMP,30V AC;
- 2)INSULATION RESISTANCE: 100MΩ MIN;
- 3)CONTACT RESISTANCE: 30mΩ MAX;
- 4)WITHSTANDING VOLTAGE: 500V AC;
- 5)OPERATING TEMPERATURE:-55°C TO +85°C.

2.Mechanical:

- 1)Mating Force: 35N MAX
- 2)Unmating Force: 10N MIN.

3.DIMENSIONS MARKED '▼'

TO BE CHECKED BY Q.C & IPQC.

4. PART NO.

1Au 1U\*  
5Au 15U\*  
6Au 30U\*

W:WHITE  
B:BLACK  
BL:BLUE

1PBT  
2PA6T  
3PA9T  
4LCP

Bill of materials:

NO	PARTS	MATERIAL	QTY	FINISHING
3	HOUSING	LCP+30%GF	1	PLATED NICKEL
2	SHELL	SPCC	1	UL94V-0
1	TERMINAL	COPPER ALLOY	9	PLATED GOLD/TIN

X.	±0.35	X.* ±2'	UNITS	mm
.X	±0.3	.X* ±1'	MAT'L	SEE NOTE
.XX	±0.25	.XX*	FINISH	SEE NOTE
.XXX	±0.15	.XXX*	Q'TY	SEE NOTE

廣東科斯達電子科技有限公司

TITLE:  
USB AM 3.0 I=18.7MM 沉板1.9MM  
有柱(外壳脚长3.70MM) 锡脚1.7

PART NO.:

DR: Ricky 2019/2/18

DWG NO.:

CHKD: Ricky 2019/2/18

APPD:

SCALE	SHEET	REV.	CUSTOMER DRAWING
1:1	1/1	B	

THESE DRAWINGS AND SPECIFICATIONS ARE THE PROPERTY OF ACCURATE INNOTECH INC AND SHALL NOT BE REPRODUCED, COPIED OR USED IN ANY MANNER WITHOUT THE PRIOR WRITTEN CONSENT OF ACCURATE INNOTECH INC