



RoHS
Compliant
2002/95/EC

REV.	ECN.	NO.	APPD.

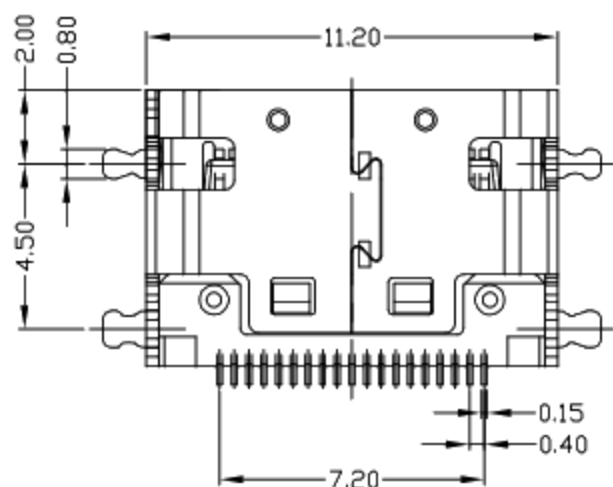
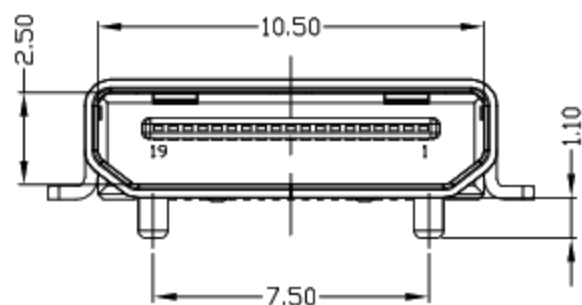
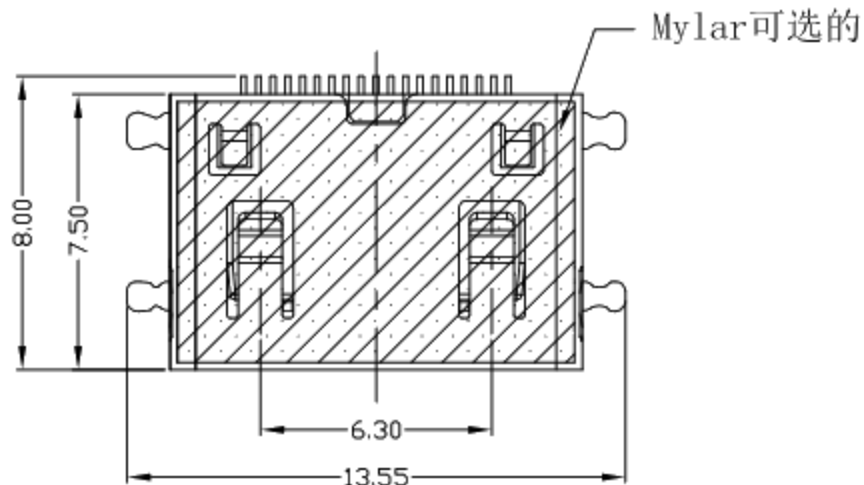
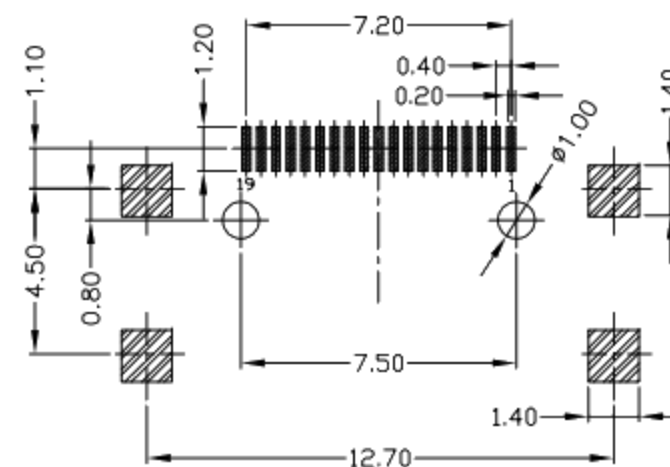
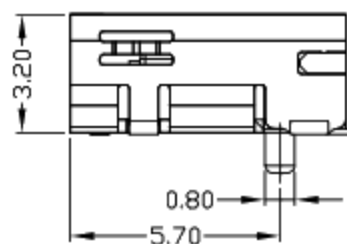


TABLE TYPE C TO TYPE C CABLE WIRE ASSIGNMENT	
TYPE C PIN	SIGNAL NAME
1	TMDS DATA2 SHIELD
2	TMDS DATA2 +
3	TMDS DATA2 -
4	TMDS DATA1 SHIELD
5	TMDS DATA1 +
6	TMDS DATA1 -
7	TMDS DATA0 SHIELD
8	TMDS DATA0+
9	TMDS DATA0-
10	TMDS CLOCK SHIELD
11	TMDS CLOCK +
12	TMDS CLOCK-
13	DDC/CEC GROUND
14	CEC
15	SCL
16	SDA
17	UTILITY
18	+5V POWER
19	HOT PLUG DETECT

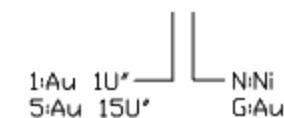


RECOMMEND PCB LAYOUT

NOTES:

- ELECTRICAL:
 - VOLTAGE CURRENT RATING: 0.5AMP,40V AC;
 - INSULATION RESISTANCE: 100MΩ MIN;
 - CONTACT RESISTANCE: 30mΩ MAX;
 - WITHSTANDING VOLTAGE: 500V AC;
 - OPERATING TEMPERATURE: -20°C TO +85°C.
- Mechanical:
 - Mating Force: 35N MAX
 - Unmating Force: 10N MIN.
- DIMENSIONS MARKED "▼" TO BE CHECKED BY Q.C & IPQC.

4.PART NO.



Bill of materials:

NO	PARTS	MATERIAL	QTY	FINISHING
3	HOUSING	LCP+30%GF	1	UL94V-0
2	SHELL	COPPER ALLOY	1	PLATED NICKEL SOLDER TIN
1	TERMINAL	COPPER ALLOY	19	PLATED GOLD

X.	X' ±2'	UNITS
±0.35	±2'	mm
.X	.X' ±1'	MAT'L
±0.3	±1'	SEE NOTE
.XX	.XX'	FINISH
±0.25	±0.25'	SEE NOTE
.XXX	.XXX'	Q'TY
±0.15	±0.15'	SEE NOTE

THESE DRAWINGS AND SPECIFICATIONS ARE THE PROPERTY OF ACCURATE INNOTECH INC AND SHALL NOT BE REPRODUCED, COPIED OR USED IN ANY MANNER WITHOUT THE PRIOR WRITTEN CONSENT OF ACCURATE INNOTECH INC.

廣東科斯達電子科技有限公司

TITLE: MINI HDMI FEMALE 19P SMT C TYPE 成品 (銅光SMT)	PART NO.:			
DR: gan 2016/11/02	DWG NO.:			
CHKD: gan 2016/11/02	SCALE	SHEET	REV.	CUSTOMER DRAWING
APPD:	1:1	1/1	B	