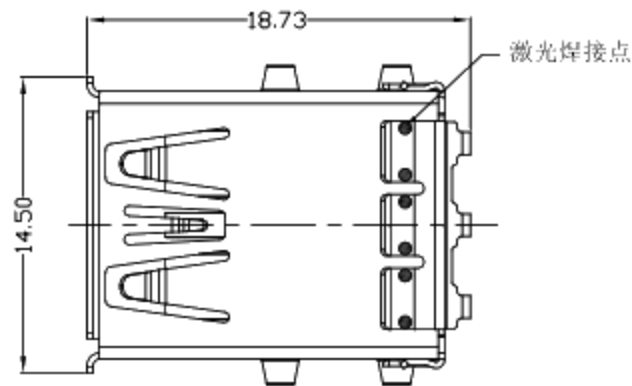




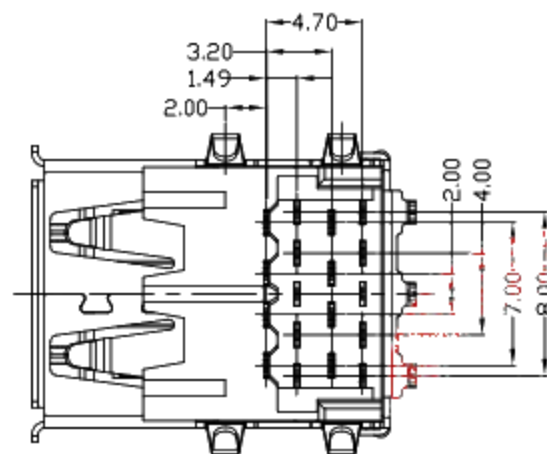
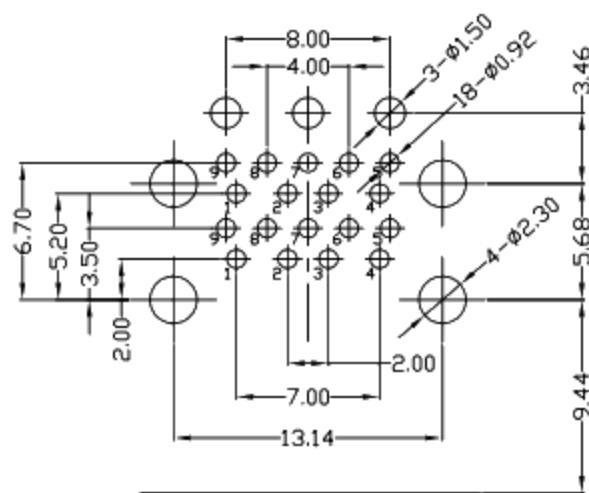
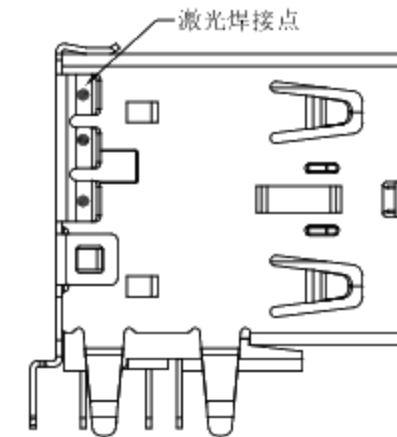
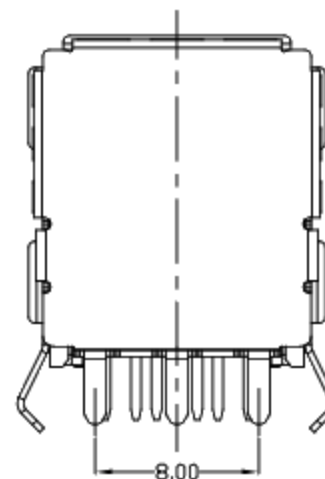
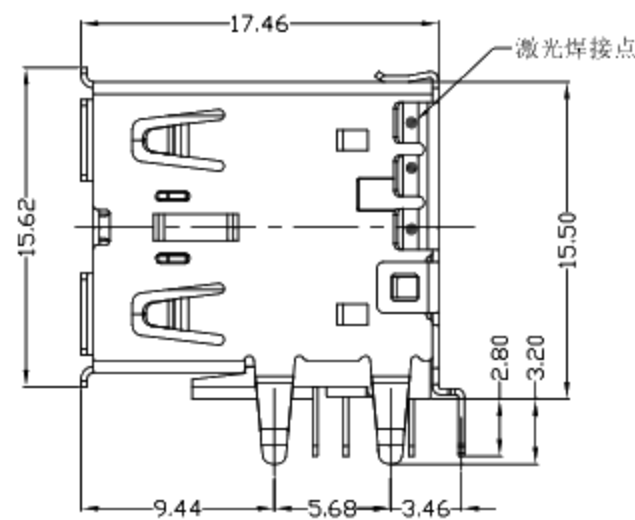
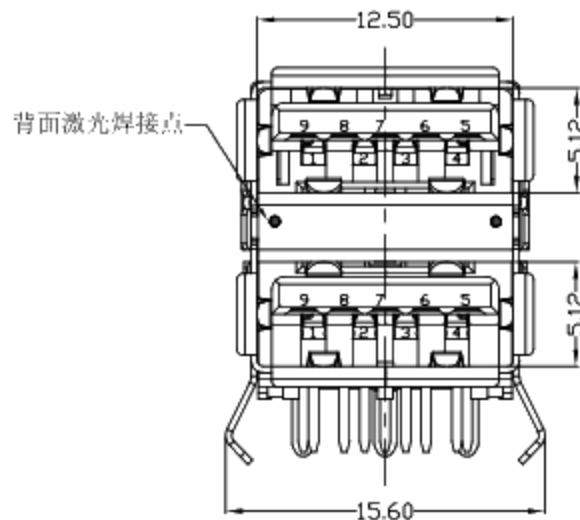
RoHS Compliant  
2002/95/EC

REV.	ECN.	NO.	APPD.



PIN ASSIGNMENT:

PIN NO.	1	2	3	4	5	6	7	8	9
	10	11	12	13	14	15	16	17	18
Signal Name	VBUS	D-	D+	GND	STDA_SSRX-	STDA_SSRX+	GND_DRAIN	STDA_SSTX-	STDA_SSTX+
Remark	USB2 Contact Pin				USB3 Contact Pin				



NOTES:

- ELECTRICAL:
  - VOLTAGE CURRENT RATING: 1.8AMP, 30V AC;
  - INSULATION RESISTANCE: 100MΩ MIN;
  - CONTACT RESISTANCE: 30mΩ MAX;
  - WITHSTANDING VOLTAGE: 100V AC;
  - OPERATING TEMPERATURE: -55°C TO +85°C.
- Mechanical:
  - Mating Force: 35N MAX
  - Unmating Force: 10N MIN.
- DIMENSIONS MARKED "▼" TO BE CHECKED BY Q.C & IPQC.

4. PART NO.

1: Au 1U*	W: WHITE
5: Au 15U*	B: BLACK
6: Au 30U*	BL: BLUE
	1: PBT
	2: PA6T
	3: PA9T
	4: LCP

Bill of materials:

6	CLIP	STAINLESS STEEL	1	
5	HOUSING	PA9T+30%GF	1	UL94V-0
4	BACK COVER	STAINLESS STEEL	1	PLATED NICKEL
3	SHELL	STAINLESS STEEL	1	PLATED NICKEL
2	TERMINAL	COPPER ALLOY	10	PLATED GOLD/TIN
1	TERMINAL	COPPER ALLOY	8	PLATED GOLD/TIN
NO	PARTS	MATERIAL	QTY	FINISHING

X. ±0.35	X.* ±2*	UNITS	mm
.X ±0.3	.X.* ±1*	MAT'L	
.XX ±0.25	.XX.*	SEE NOTE	
.XXX ±0.15	.XXX.*	FINISH	
		SEE NOTE	
		Q'TY	

THESE DRAWINGS AND SPECIFICATIONS ARE THE PROPERTY OF ACCURATE INNOTECH INC AND SHALL NOT BE REPRODUCED, COPIED OR USED IN ANY MANNER WITHOUT THE PRIOR WRITTEN CONSENT OF ACCURATE INNOTECH INC



**廣東科斯達電子科技有限公司**

TITLE: USB AF3.0 双层90度7脚插板

PART NO.:

DR: gan 2017/3/15

DWG NO.:

CHKD: gan 2017/3/15

APPD:

SCALE	SHEET	REV.	CUSTOMER DRAWING
1:1	1/1	B	