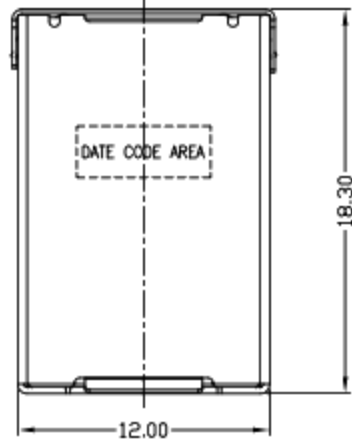


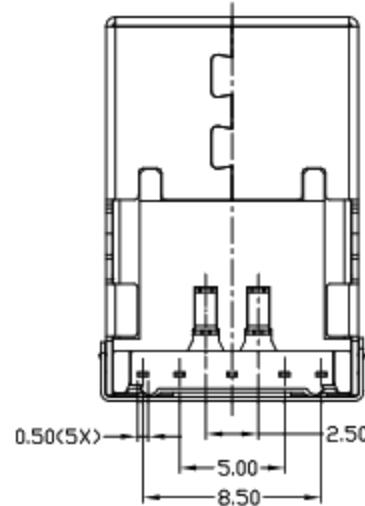
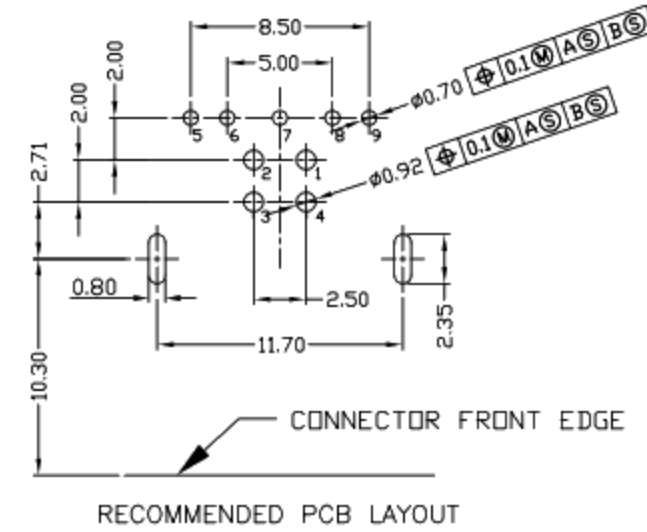
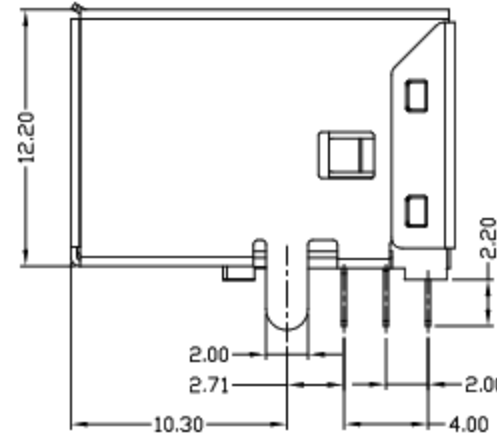
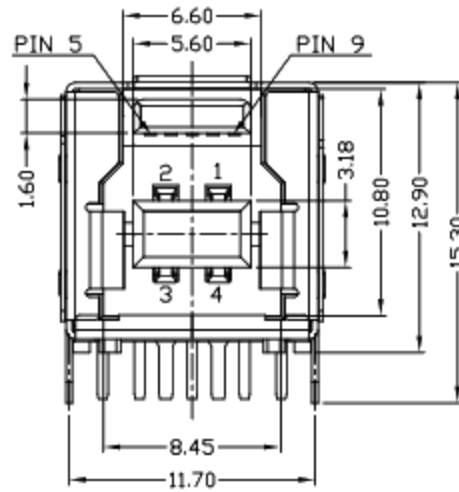
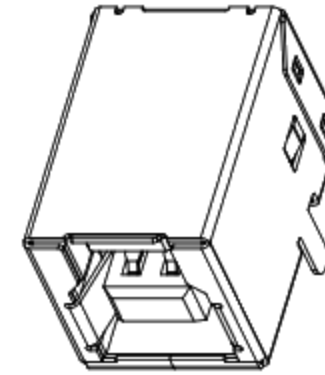


RoHS  
Compliant  
2002/95/EC

REV.	ECN.	NO.	APPD.



PIN NUMBER	SIGNAL NAME
1	VBUS
2	D-
3	D+
4	GND
5	STDA_SSTX-
6	STDA_SSTX+
7	GND_DRAIN
8	STDA_SSRX-
9	STDA_SSRX+
Shell	Shield



NOTES:

- ELECTRICAL:**
  - CURRENT RATING: 1.5AMP;
  - INSULATION RESISTANCE: 100MΩ MIN;
  - CONTACT RESISTANCE: 30mΩ MAX;
  - WITHSTANDING VOLTAGE: 100V AC;
  - OPERATING TEMPERATURE: -40°C ~ +85°C.
- Mechanical:**
  - Mating Force: 35N MAX
  - Unmating Force: 10N MIN.
- DIMENSIONS MARKED "▼" TO BE CHECKED BY Q.C & IPQC.

4. PART NO.

1: Au 1U\*  
5: Au 15U\*  
6: Au 30U\*

W: WHITE  
B: BLACK  
BL: BLUE

1: PBT  
2: PA6T  
3: PA9T  
4: LCP

Bill of materials:

NO	PARTS	MATERIAL	QTY	FINISHING	UNITS	mm
5	HOUSING	LCP+30%GF	1	UL94V-0	X. ±0.35	X.* ±2*
4	BACK COVER	COPPER ALLOY/SPCC	1	PLATED NICKEL	.X ±0.3	.X* ±1*
3	SHELL	COPPER ALLOY	1	PLATED NICKEL	.XX ±0.25	.XX*
2	TERMINAL(4P)	COPPER ALLOY	4	PLATED GOLD/TIN	.XXX ±0.15	.XXX*
1	TERMINAL(5P)	COPPER ALLOY	5	PLATED GOLD/TIN	THESE DRAWINGS AND SPECIFICATIONS ARE THE PROPERTY OF ACCURATE INNOVATECH INC AND SHALL NOT BE REPRODUCED, COPIED OR USED IN ANY MANNER WITHOUT THE PRIOR WRITTEN CONSENT OF ACCURATE INNOVATECH INC.	
NO	PARTS	MATERIAL	QTY	FINISHING	Q'TY	

**廣東科斯達電子科技有限公司**

TITLE: USB 3.0 BF DIP 90度 百脚

PART NO.:

DR: gan 2016/08/30

DWG NO.:

CHKD: gan 2016/08/30

APPD:

SCALE

SHEET

REV.

CUSTOMER DRAWING

1:1

1/1

B

DRAWING