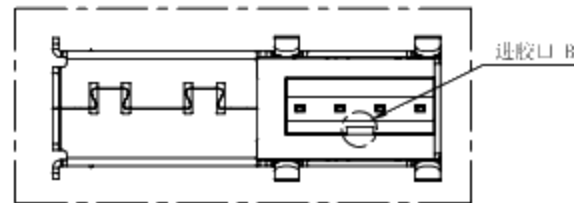
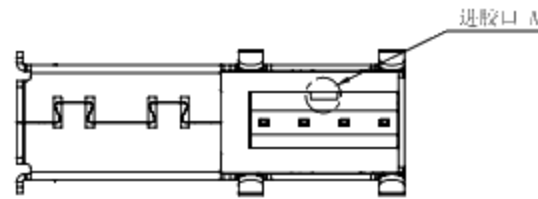
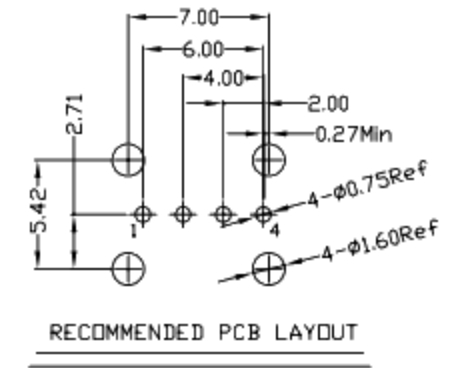
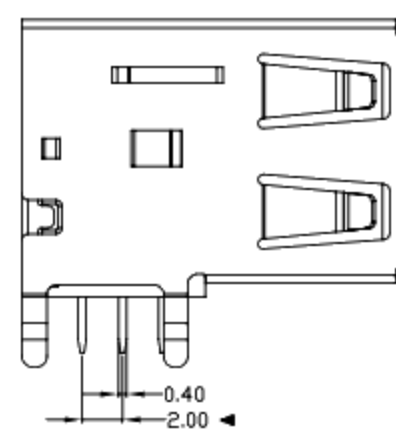
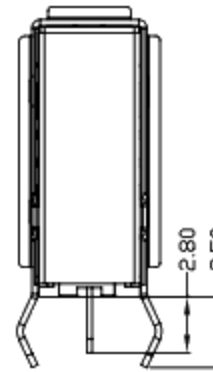
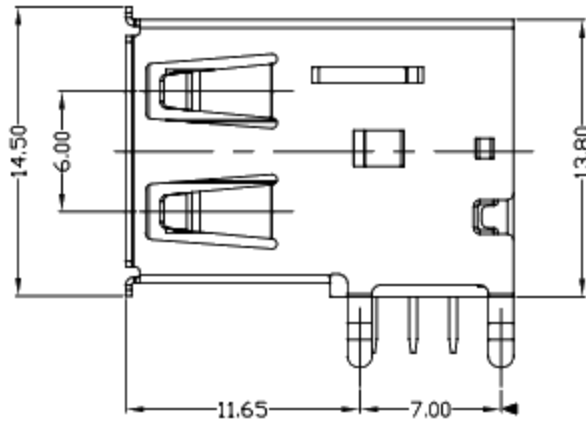
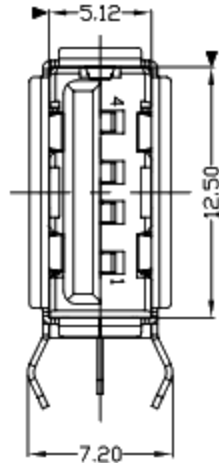
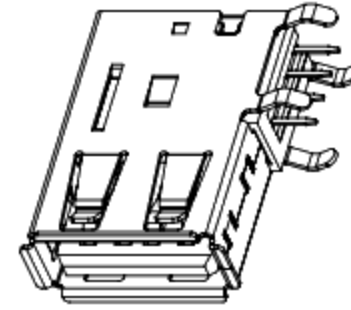
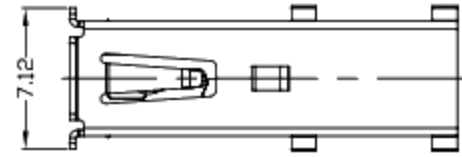




RoHS
Compliant
2002/95/EC

| REV. | ECN. | NO. | APPD. |
|------|------|-----|-------|
| | | | |
| | | | |



NOTES:

1. ELECTRICAL:

- 1) VOLTAGE CURRENT RATING: 2AMP, 30V AC;
- 2) INSULATION RESISTANCE: 1000M Ω MIN;
- 3) CONTACT RESISTANCE: 30m Ω MAX;
- 4) WITHSTANDING VOLTAGE: 500V AC;
- 5) OPERATING TEMPERATURE: -55°C TO +85°C.

2. Mechanical:

- 1) Mating Force: 35N MAX
- 2) Unmating Force: 10N MIN.

3. DIMENSIONS MARKED "▼" TO BE CHECKED BY Q.C & IPQC.

4. PART NO.

1: Au 1U*
6: Au 30U*

W: WHITE
B: BLACK

1: PBT
2: PA6T
3: PA9T
4: LCP

Bill of materials:

| | | | | |
|----|--------------|--------------|-----|-----------------|
| 5 | BACK COVER | SPCC | 1 | PLATED NICKEL |
| 4 | BOTTOM COVER | PBT | 1 | UL94V-0 |
| 3 | HOUSING | PBT | 1 | UL94V-0 |
| 2 | SHELL | COPPER ALLOY | 1 | PLATED NICKEL |
| 1 | TERMINAL | COPPER ALLOY | 4 | PLATED GOLD/TIN |
| NO | PARTS | MATERIAL | QTY | FINISHING |

| | | | |
|-----------------|--------------|--------|----------|
| X. \pm 0.35 | X.* \pm 2* | UNITS | mm |
| .X \pm 0.3 | .X* \pm 1* | MAT'L | SEE NOTE |
| .XX \pm 0.25 | .XX* | FINISH | SEE NOTE |
| .XXX \pm 0.15 | .XXX* | Q'TY | SEE NOTE |

THESE DRAWINGS AND SPECIFICATIONS ARE THE PROPERTY OF ACCURATE INNOTECH INC AND SHALL NOT BE REPRODUCED, COPIED OR USED IN ANY MANNER WITHOUT THE PRIOR WRITTEN CONSENT OF ACCURATE INNOTECH INC

廣東科斯達電子科技有限公司

TITLE: USB AF 側插長體 PART NO.:

DR: gan 2012/7/05 DWG NO.:

CHKD: gan 2012/7/05

APPD:

| SCALE | SHEET | REV. | CUSTOMER DRAWING |
|-------|-------|------|------------------|
| 1:1 | 1/1 | B | |