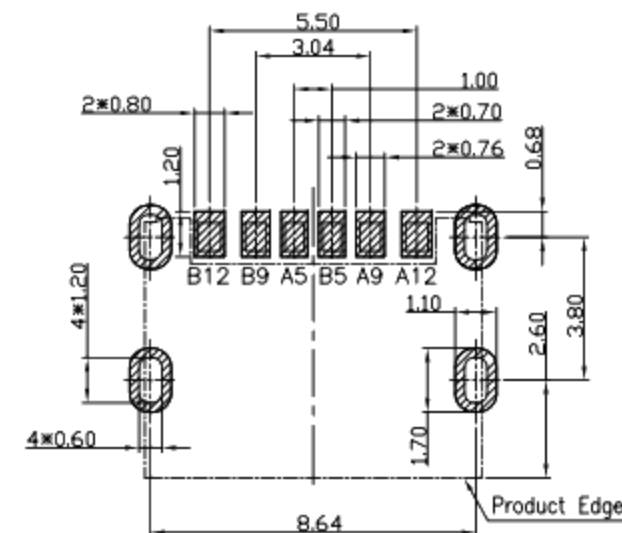
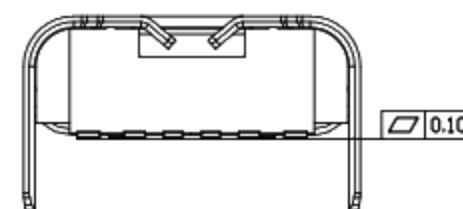
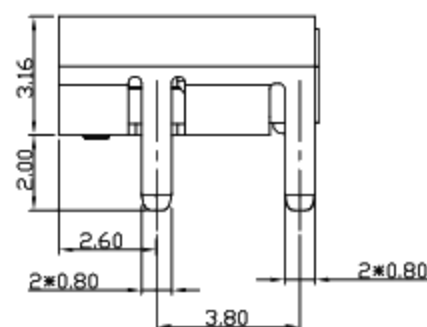
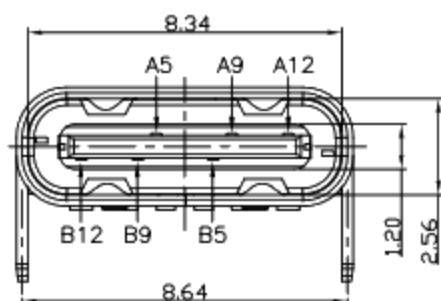
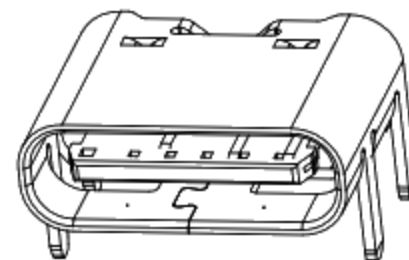
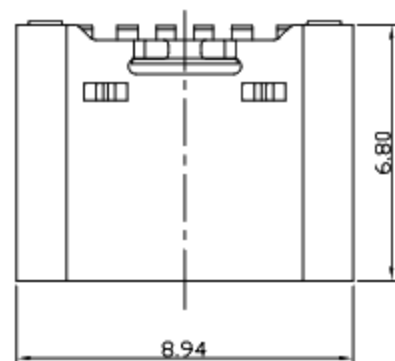


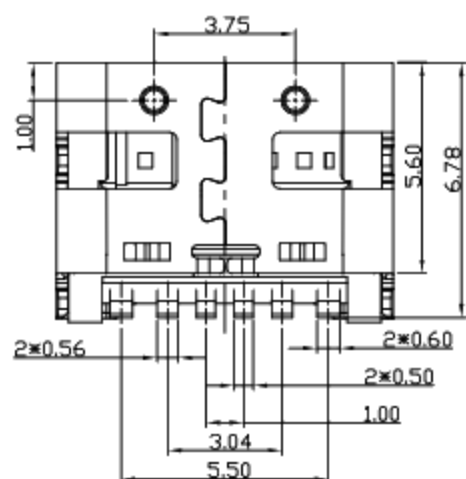


RoHS
Compliant
2002/95/EC

REV.	ECN.	NO.	APPD.



RECOMMENDED P.C.B. LAYOUT
TOLERANCE UNSPECIFIED ±0.05mm



NOTES:

1. ELECTRICAL:

- 1) CURRENT RATING: 5AMP MAX;
- 2) INSULATION RESISTANCE: 100MΩ MIN;
- 3) CONTACT RESISTANCE: 40mΩ MAX;
- 4) WITHSTANDING VOLTAGE: 100V AC;
- 5) OPERATING TEMPERATURE: -30°C TO +85°C.

2. Mechanical:

- 1) Mating Force: 5N~20N
- 2) Unmating Force: 8N~20N
- 3) Durability: 10,000 cycles

3. DIMENSIONS MARKED "▼"
TO BE CHECKED BY Q.C & IPQC

4.PART NO.

1Au 1U*
2Au 3U*
5Au 15u*
6Au 30U*

W-WHITE
B-BLACK

1PBT
2PA6T
3PA9T
4LCP

A5	CC1	B12	GND
A9	VBUS	B9	VBUS
A12	GND	B5	CC2
PIN	SIGNAL NAME	PIN	SIGNAL NAME

NO	PARTS	MATERIAL	QTY	FINISHING	X. ±0.35	X.* ±2'	UNITS	廣東科斯達電子科技有限公司							
5					X ±0.35	X.* ±2'	mm	TITLE: USB C F TYPE 单排SMT 6PIN L=6.5 四脚插板 DR: Ricky 2017/11/17 CHKD: Ricky 2017/11/17 APPD:							
4				.X ±0.30	.X.* ±1'	MAT'L	PART NO.: DWG NO.: SCALE: 1:1 SHEET: 1/1 REV: B CUSTOMER DRAWING								
3	SHELL	STAINLESS STEEL	1	PLATED NICKEL	.XX ±0.20	.XX.* ±0.5'						SEE NOTE			
2	CONTACT	COPPER ALLOY	6	PLATED GOLD/NICKEL	.XXX ±0.10	.XXX.*						FINISH SEE NOTE			
1	HOUSING	LCP+30%GF	1	UL94V-0								Q'TY			
THESE DRAWINGS AND SPECIFICATIONS ARE THE PROPERTY OF ACCURATE INNOTECH INC AND SHALL NOT BE REPRODUCED, COPIED OR USED IN ANY MANNER WITHOUT THE PRIOR WRITTEN CONSENT OF ACCURATE INNOTECH INC															