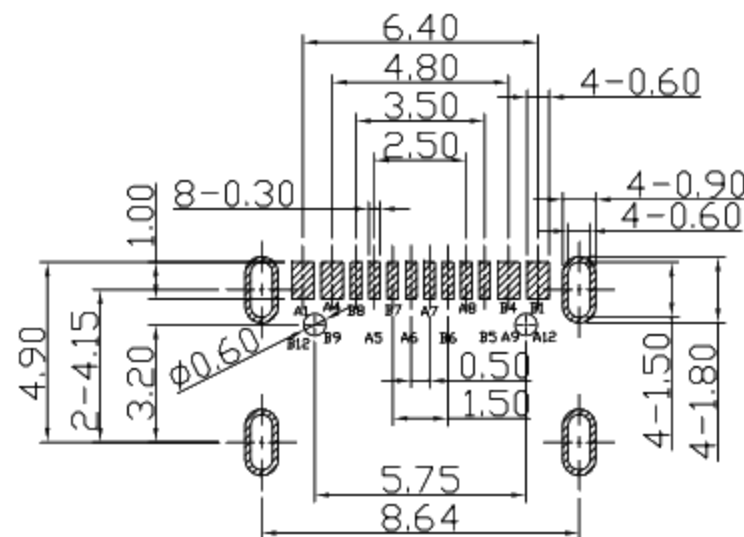
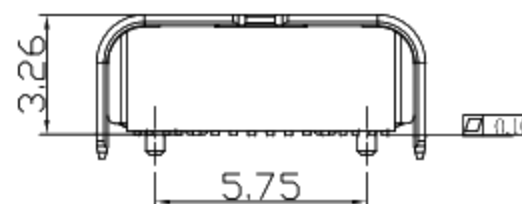
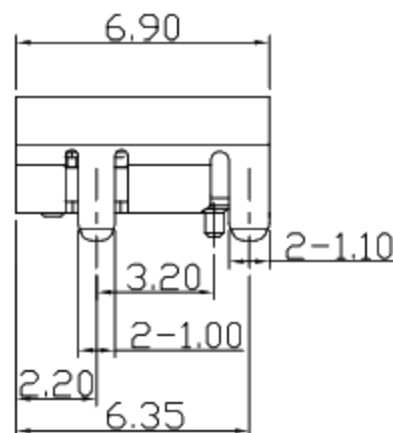
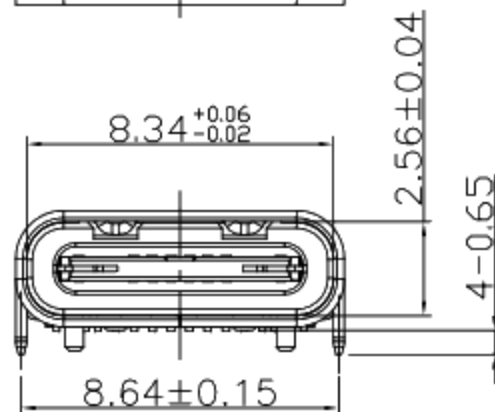
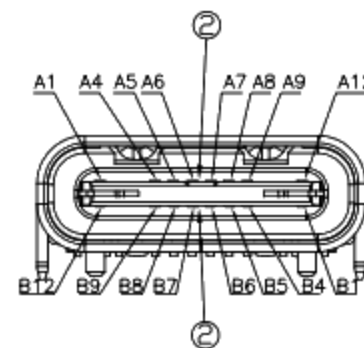
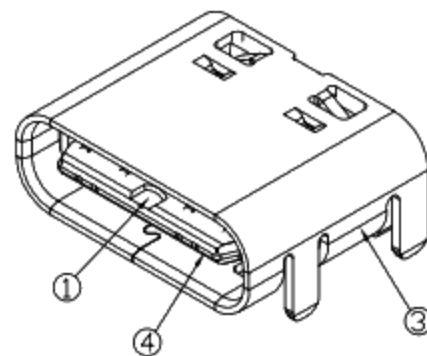
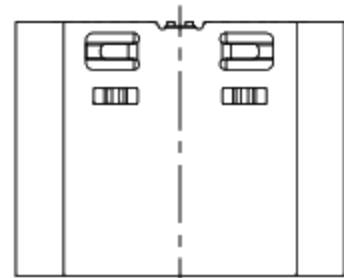
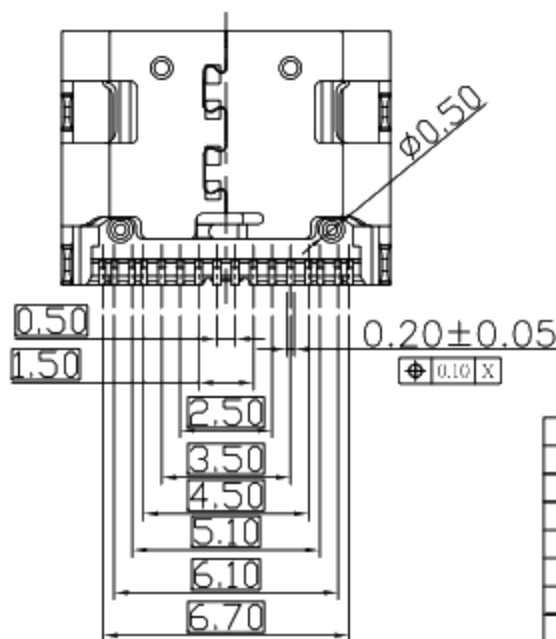


RoHS Compliant  
2002/95/EC  
Halogen Free

REV	LTR	DESCRIPTION	DATE	REVISER	APPD



RECOMMENDED PCB LAYOUT



A1	GND	B12	GND
A4	VBUS	B9	VBUS
A5	CC1	B8	SBU2
A6	D+1	B7	D-
A7	D-	B6	D+
A8	SBU1	B5	CC2
A9	VBUS	B4	VBUS
A12	GND	B1	GND
PIN	SIGNAL NAME	PIN	SIGNAL NAME

NOTES:

1.ELECTRICAL:

- CURRENT RATING: 3AMP MAX;
- INSULATION RESISTANCE: 100MΩ MIN 250V DC;
- CONTACT RESISTANCE: INITIAL 40mΩ MAX; AFTER 50mΩ MAX;
- WITHSTANDING VOLTAGE: 100V AC MIN;
- OPERATING TEMPERATURE: -40°C TO +80°C.

2.Mechanical:

- Mating Force: 5N~20N MAX.
- Unmating Force: 8N~20N(INITIAL) 6N~20N(AFTER 10000 CYCLES) MIN.
- Durability: 10,000 CYCLES;

3.DIMENSIONS MARKED "▼"  
TO BE CHECKED BY Q.C & IPQC.

4.PART NO.

1Au 1U'  
2Au 3U'  
5Au 15U'  
6Au 30U'

1PBT  
2PA6T  
3PA9T  
4LCP

Bill of materials:

NO	PARTS	MATERIAL	QTY	FINISHING	UNITS	mm
4	MID PLATE	STAINLESS STEEL	1		X. ±0.38	X.* ±5*
3	SHELL	STAINLESS STEEL	1	PLATED NICKEL	.X ±0.30	.X* ±3*
2	TERMINAL	COPPER ALLOY	16	PLATED GOLD	.XX ±0.20	.XX* ±1*
1	INSULATOR	LCP+30%GF	1	UL94V-0	.XXX ±0.10	.XXX*

THESE DRAWINGS AND SPECIFICATIONS ARE THE PROPERTY OF ACCURATE INNOTECH INC AND SHALL NOT BE REPRODUCED, COPIED OR USED IN ANY MANNER WITHOUT THE PRIOR WRITTEN CONSENT OF ACCURATE INNOTECH INC

廣東科斯達電子科技有限公司

TITLE: USB TYPE CF 2.0 单排16PIN 板上式(带柱) 板上3.26mm	PART NO.:
DR: Ricky 2018/1/24	DWG NO.:
CHKD: Ricky 2018/1/24	SCALE SHEET REV. CUSTOMER DRAWING
APPD:	1:1 1/1 B