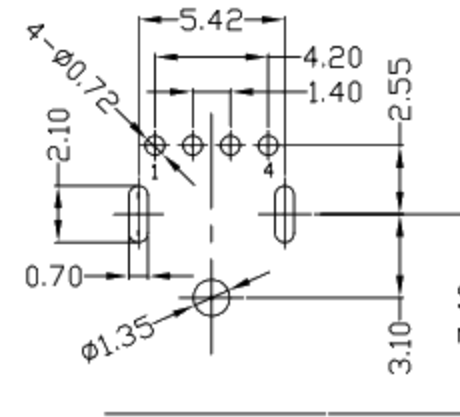
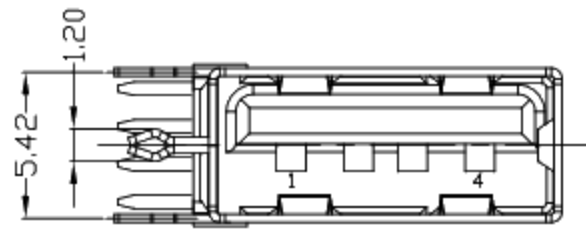


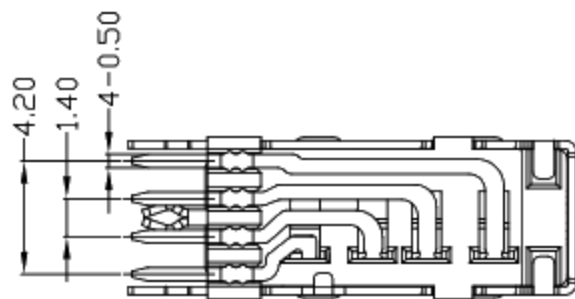
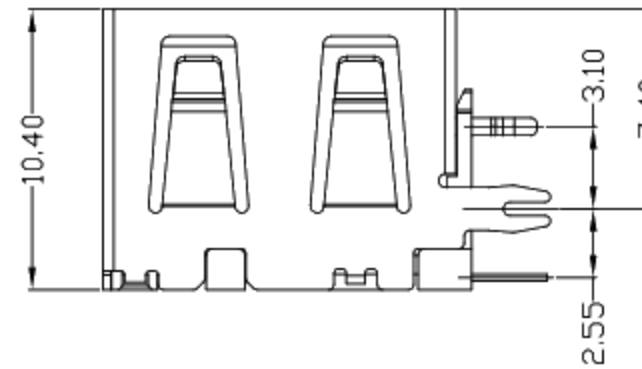
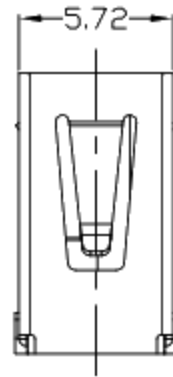
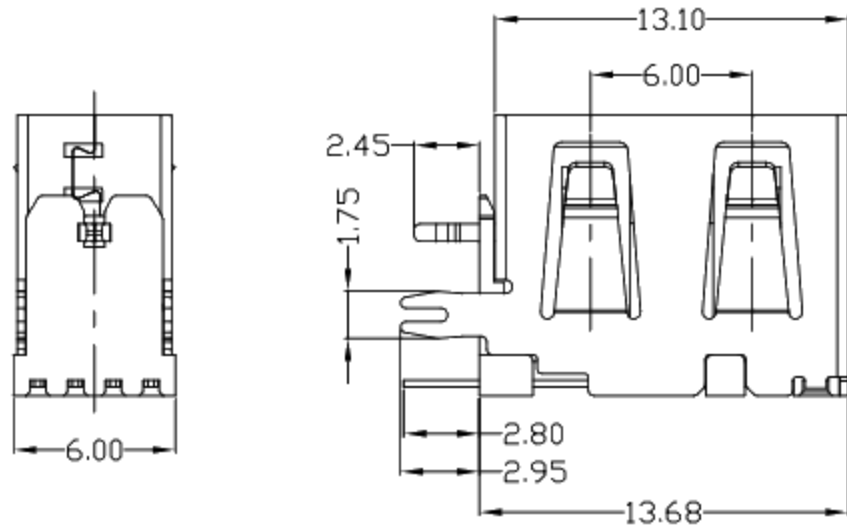


RoHS
Compliant
2002/95/EC

REV.	ECN.	NO.	APPD.



RECOMMEND PCB LAYOUT



NOTES:

1. ELECTRICAL:

- VOLTAGE CURRENT RATING: 2.0AMP,30V AC;
- INSULATION RESISTANCE: 1000MΩ MIN;
- CONTACT RESISTANCE: 30mΩ MAX;
- WITHSTANDING VOLTAGE: 500V AC;
- OPERATING TEMPERATURE:-55°C TO +85°C.

2. Mechanical:

- Mating Force: 35N MAX
- Unmating Force: 10N MIN.

3. DIMENSIONS MARKED "▼" TO BE CHECKED BY Q.C & IPQC.

4.PART NO.

1-Au 1U*	W:WHITE
6-Au 30U*	B:BLACK
T:TIN	1:PBT
N:NICKEL	2:PA6T
	3:PA9T
	4:LCP

Bill of materials:

NO	PARTS	MATERIAL	QTY	FINISHING
3	HOUSING	LCP/PBT+30%GF	1	UL94V-0
2	SHELL	COPPER ALLOY	1	PLATED TIN/NICKEL
1	TERMINAL	COPPER ALLOY	4	PLATED GOLD/TIN

X.	X.*	UNITS
±0.35	±2'	mm
±0.3	±1'	MAT'L
±0.25	±1'	SEE NOTE
±0.15	±1'	FINISH
		SEE NOTE
		Q'TY

廣東科斯達電子科技有限公司

TITLE: USB AF 側插短體10.5 平口	PART NO.:
DR: gan 2017/3/15	DWG NO.:
CHKD: gan 2017/3/15	SCALE SHEET REV. CUSTOMER DRAWING
APPD:	1:1 1/1 B

THESE DRAWINGS AND SPECIFICATIONS ARE THE PROPERTY OF ACCURATE INNOTECH INC AND SHALL NOT BE REPRODUCED, COPIED OR USED IN ANY MANNER WITHOUT THE PRIOR WRITTEN CONSENT OF ACCURATE INNOTECH INC