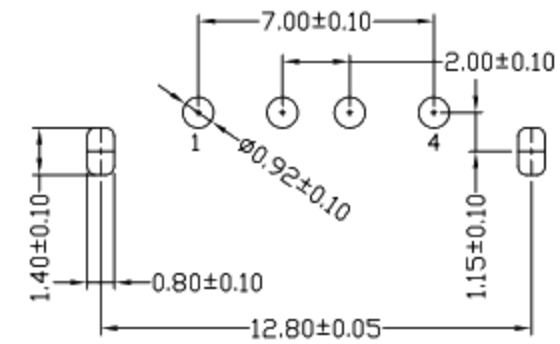
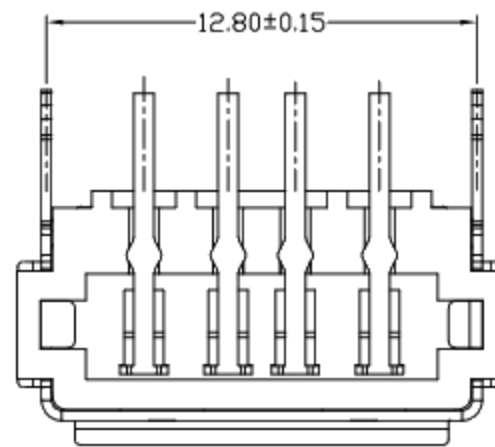
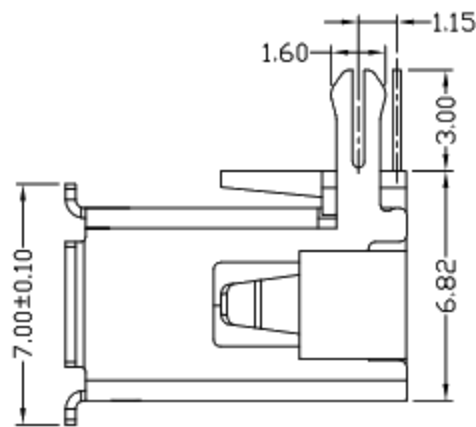
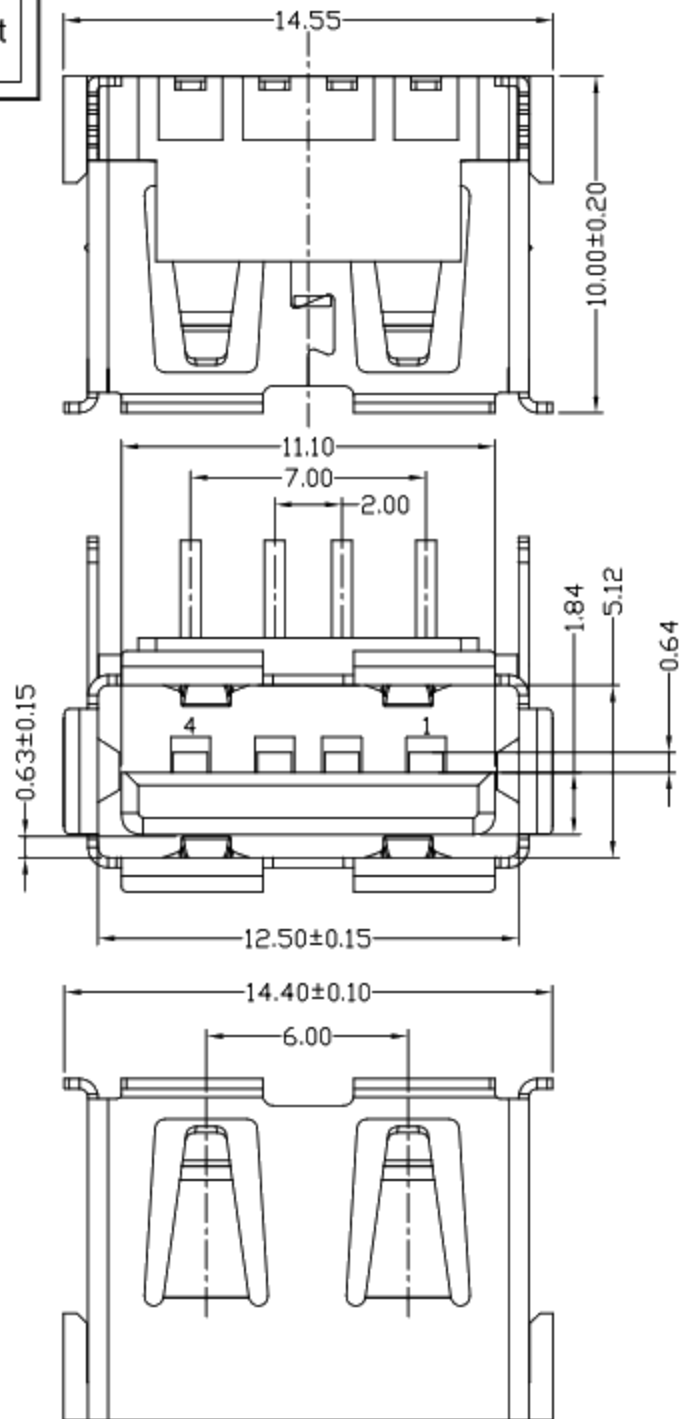




RoHS
Compliant
2002/95/EC

| REV. | ECN. | NO. | APPD. |
|------|------|-----|-------|
| | | | |
| | | | |



RECOMMENDED PCB LAYOUT

NOTES:

- ELECTRICAL:**
 - VOLTAGE CURRENT RATING: 2AMP, 30V AC;
 - INSULATION RESISTANCE: 1000MΩ MIN;
 - CONTACT RESISTANCE: 30mΩ MAX;
 - WITHSTANDING VOLTAGE: 500V AC FOR 1MIN;
 - OPERATING TEMPERATURE: -55°C TO +85°C.
- Mechanical:**
 - Mating Force: 35N MAX
 - Unmating Force: 10N MIN.
- DIMENSIONS MARKED "▼"**
TO BE CHECKED BY Q.C & IPQC.

4.PART NO.

- 1: Au 1U*
- 6: Au 30U*
- W: WHITE
- B: BLACK
- 1: PBT
- 2: PA6T
- 3: PA9T
- 4: LCP

Bill of materials:

| NO | PARTS | MATERIAL | QTY | FINISHING |
|----|----------|--------------|-----|-----------------|
| 3 | HOUSING | PBT+30%GF | 1 | UL94V-0 |
| 2 | SHELL | COPPER ALLOY | 1 | PLATED NICKEL |
| 1 | TERMINAL | COPPER ALLOY | 4 | PLATED GOLD/TIN |

| X. ±0.35 | X.* ±2' | UNITS |
|------------|---------|----------|
| .X ±0.30 | .X* ±1' | mm |
| .XX ±0.25 | .XX* | MAT'L |
| .XXX ±0.15 | .XXX* | SEE NOTE |
| | | FINISH |
| | | SEE NOTE |
| | | Q'TY |

THESE DRAWINGS AND SPECIFICATIONS ARE THE PROPERTY OF ACCURATE INNOTECH INC AND SHALL NOT BE REPRODUCED, COPIED OR USED IN ANY MANNER WITHOUT THE PRIOR WRITTEN CONSENT OF ACCURATE INNOTECH INC



廣東科斯達電子科技有限公司

| | | | | |
|---|-----------|-------|------|------------------|
| TITLE: USB AF DIP 90度 板体正向 卷边 后三脚 长脚3.0 | PART NO.: | | | |
| DR: <i>Ricky</i> 2018/10/15 | DWG NO.: | | | |
| CHKD: <i>Ricky</i> 2018/10/15 | SCALE | SHEET | REV. | CUSTOMER DRAWING |
| APPD: | 1:1 | 1/1 | A | |