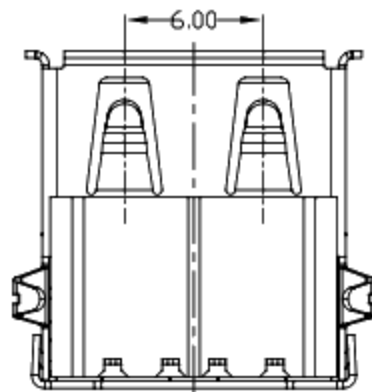
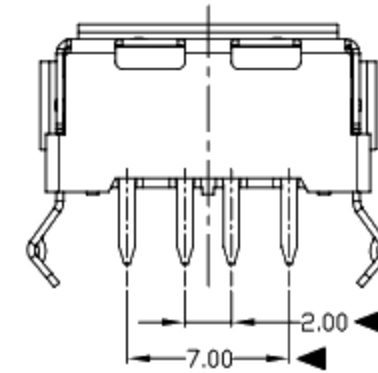
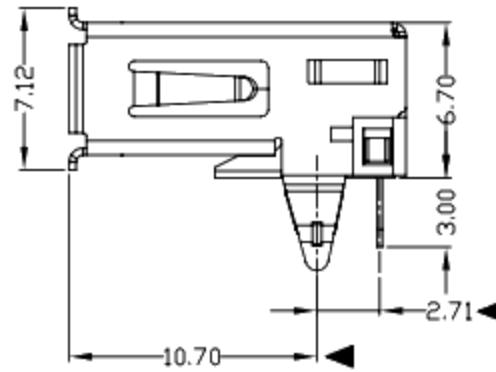
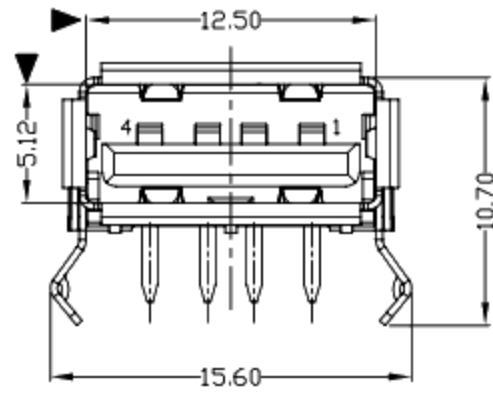
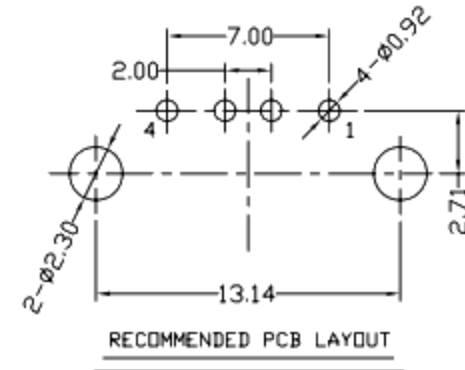
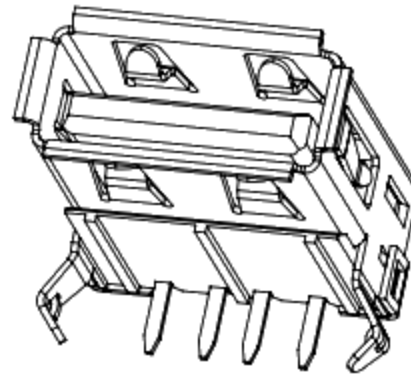
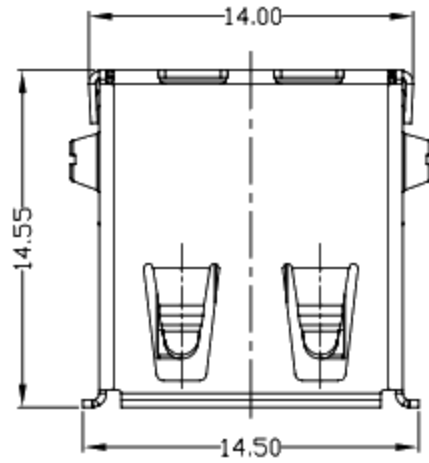




RoHS
Compliant
2002/95/EC

REV.	ECN.	NO.	APPD.



NOTES:

- ELECTRICAL:
 - VOLTAGE CURRENT RATING: 2AMP,30V AC;
 - INSULATION RESISTANCE: 1000MΩ MIN;
 - CONTACT RESISTANCE: 30mΩ MAX;
 - WITHSTANDING VOLTAGE: 500V AC;
 - OPERATING TEMPERATURE: -55°C TO +85°C.
- Mechanical:
 - Mating Force: 35N MAX
 - Unmating Force: 10N MIN.
- DIMENSIONS MARKED "▼" TO BE CHECKED BY Q.C & IPQC.

4.PART NO.

- 1: Au 10^u
- 6: Au 30U^u
- W: WHITE
- B: BLACK
- 1: PBT
- 2: PA6T
- 3: PA9T
- 4: LCP

Bill of materials:

3	HOUSING	PBT	1	UL94V-0
2	SHELL	COPPER ALLOY	1	PLATED NICKEL
1	TERMINAL	COPPER ALLOY	4	PLATED GOLD/TIN
NO	PARTS	MATERIAL	QTY	FINISHING

X. ±0.35	X.* ±2'	UNITS	mm			
.X ±0.30	.X* ±1'	MAT'L	SEE NOTE			
.XX ±0.25	.XX*	FINISH	SEE NOTE			
.XXX ±0.15	.XXX*	Q'TY	SEE NOTE			
<small>THESE DRAWINGS AND SPECIFICATIONS ARE THE PROPERTY OF ACCURATE INNOTECH INC AND SHALL NOT BE REPRODUCED, COPIED OR USED IN ANY MANNER WITHOUT THE PRIOR WRITTEN CONSENT OF ACCURATE INNOTECH INC.</small>						
<p style="text-align: center;">廣東科斯達電子科技有限公司</p>			<p>TITLE: USB A/F DIP 90° 胶芯反向 弯脚</p>			
<p>DR: gan 2012/6/29</p>			<p>PART NO.:</p>			
<p>CHKD: gan 2012/6/29</p>			<p>DWG NO.:</p>			
<p>APPD:</p>			SCALE	SHEET	REV.	CUSTOMER DRAWING
			1:1	1/1	B	