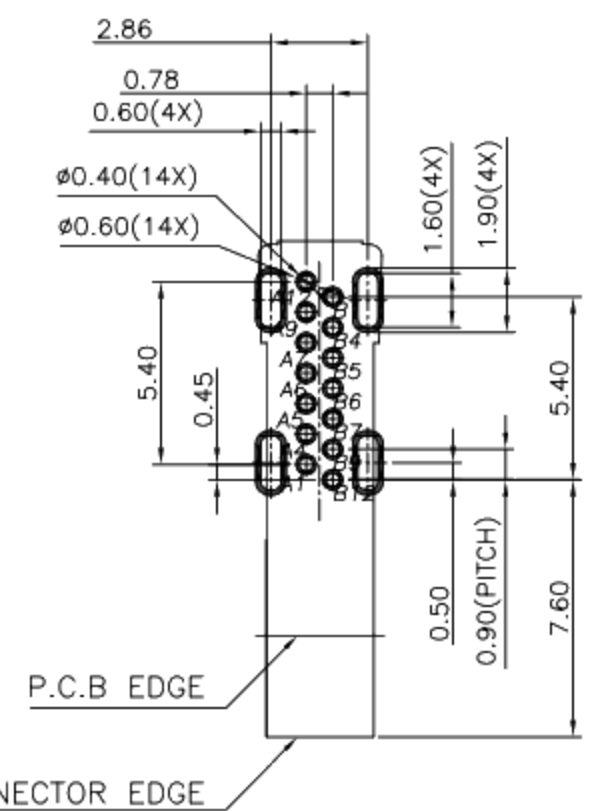
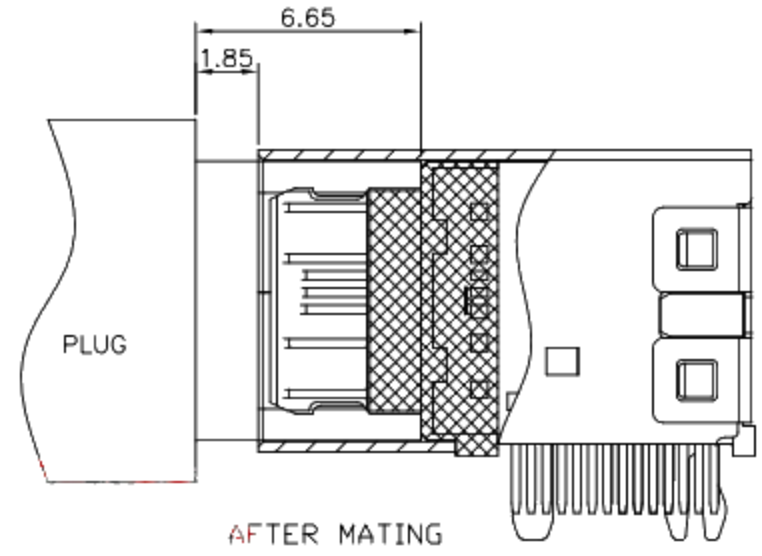
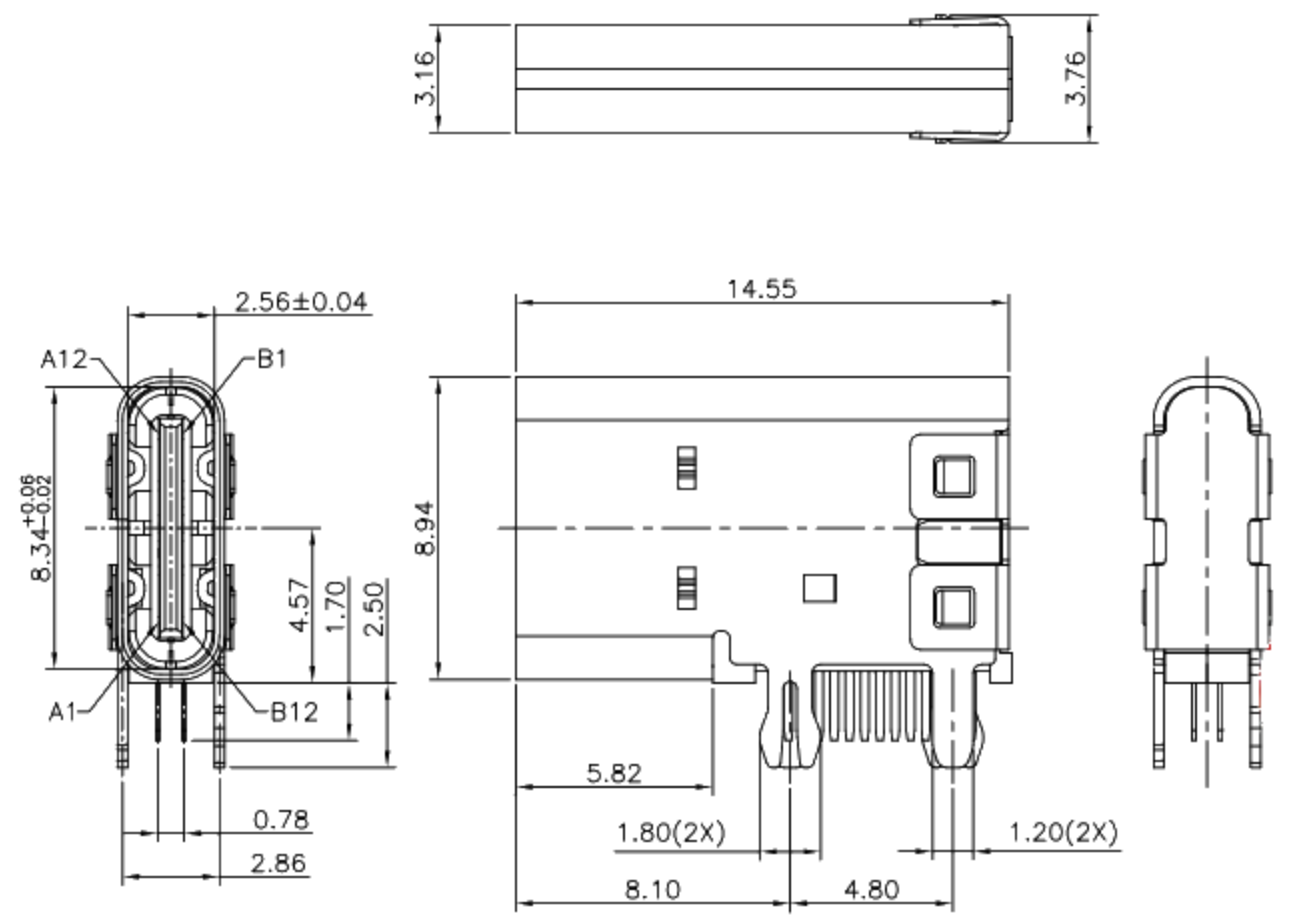




RoHS Compliant  
2002/95/EC

REV.	ECN.	NO.	APPD.

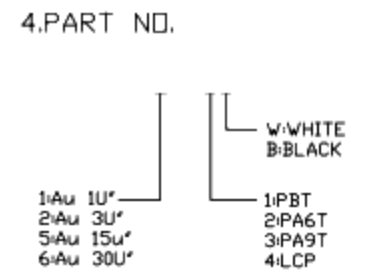


RECOMMENDED PCB LAYOUT(TOP VIEW)  
THICKNESS 1.6±0.10MM;DEFAULT TOLERANCE:±0.05

USB TYPE-C PIN ASSIGNMENTS

PIN NUMBER	SIGNAL NAME	PIN NUMBER	SIGNAL NAME
A1	GND	B12	GND
A4	VBUS	B9	VBUS
A5	CC1	B7	Dn2
A6	Dp1	B6	Dp2
A7	Dn1	B5	CC2
A9	VBUS	B4	VBUS
A12	GND	B1	GND

- NOTES:  
1.ELECTRICAL:  
1)CURRENT RATING: 5AMP 5.0VDC  
2)INSULATION RESISTANCE: 100MΩ MIN;  
3)CONTACT RESISTANCE: 40mΩ MAX;  
4)WITHSTANDING VOLTAGE: 100V AC FOR 1 MINUTE.  
5)OPERATING TEMPERATURE:-25°C TO +85°C.  
2.Mechanical:  
1)Insertion Force: 5N~20N  
2)Removal Force: 8N~20N  
3)Durability: 10,000 cycles  
3.DIMENSIONS MARKED "▼"  
TO BE CHECKED BY Q.C & IPQC.



NO	PARTS	MATERIAL	QTY	FINISHING	UNITS	mm
5	EMI PLATE	STAINLESS STEEL	1		X. ±0.35	X.* ±2*
4	FRONT SHELL	STAINLESS STEEL	1	PLATED NICKEL	.X ±0.30	.X* ±1*
3	MID PLATE	STAINLESS STEEL	1		.XX ±0.20	.XX* ±0.5*
2	CONTACT	COPPER ALLOY	14	PLATED GOLD/NICKEL	.XXX ±0.10	.XXX*
1	HOUSING	LCP+30%GF	1	UL94V-0		

THESE DRAWINGS AND SPECIFICATIONS ARE THE PROPERTY OF ACCURATE INNOTECH INC AND SHALL NOT BE REPRODUCED, COPIED OR USED IN ANY MANNER WITHOUT THE PRIOR WRITTEN CONSENT OF ACCURATE INNOTECH INC

廣東科斯達電子科技有限公司

TITLE: USB CF 插插式DIP TYPE 14PIN PART NO.:

DR: Ricky 2018/08/27 DWG NO.:

CHKD: Ricky 2018/08/27

APPD:

SCALE: 1:1 SHEET: 1/1 REV: B CUSTOMER DRAWING