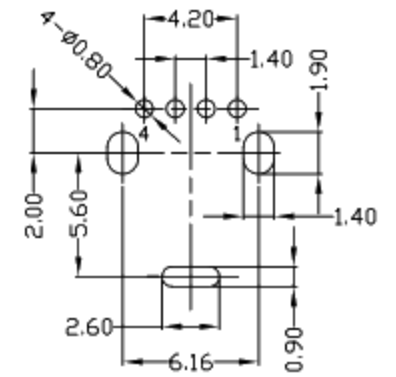
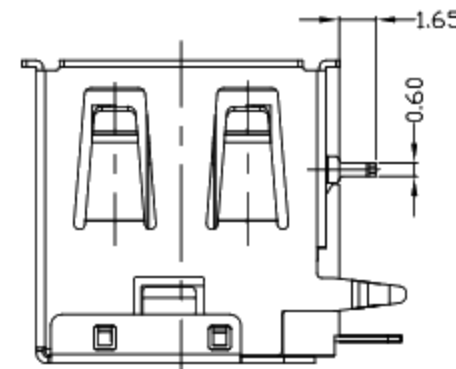
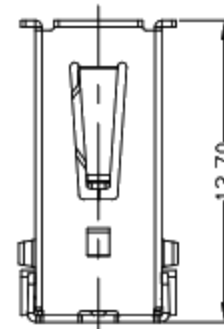
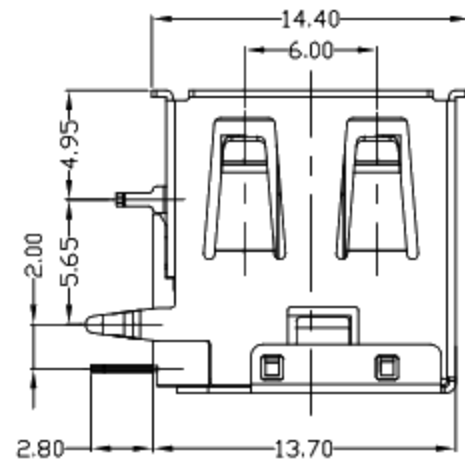
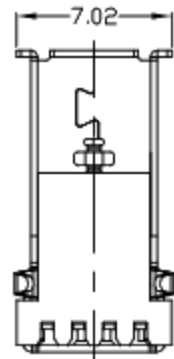
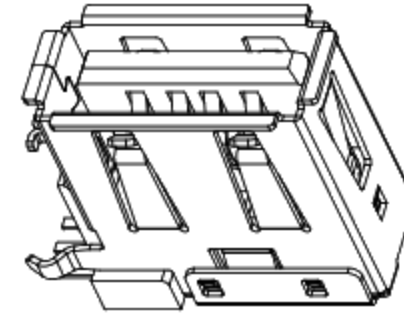
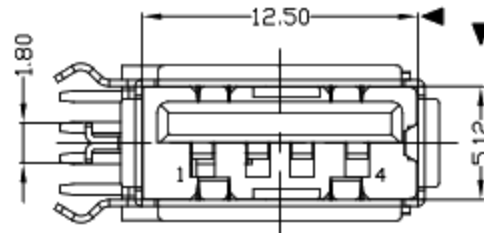


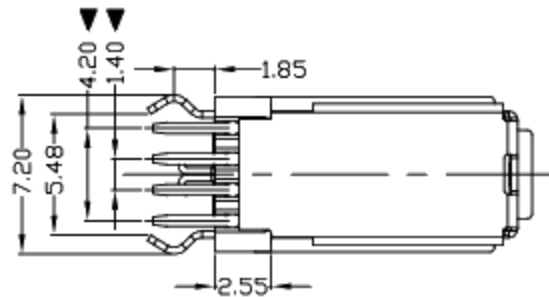


RoHS  
Compliant  
2002/95/EC

REV.	ECN.	NO.	APPD.



RECOMMENDED PCB LAYOUT



NOTES:

- ELECTRICAL:
  - VOLTAGE CURRENT RATING: 2AMP, 30V AC;
  - INSULATION RESISTANCE: 1000MΩMIN;
  - CONTACT RESISTANCE: 30mΩMAX;
  - WITHSTANDING VOLTAGE: 500V AC;
  - OPERATING TEMPERATURE: -55°C TO +85°C.
- Mechanical:
  - Mating Force: 35N MAX
  - Unmating Force: 10N MIN.
- DIMENSIONS MARKED "▼" TO BE CHECKED BY Q.C & IPQC.

4. PART NO.

1: Au 1U*	W: WHITE
6: Au 30U*	B: BLACK
	1: PBT
	2: PA6T
	3: PA9T
	4: LCP

Bill of materials:

NO	PARTS	MATERIAL	QTY	FINISHING	X.	X.*	UNITS	廣東科斯達電子科技有限公司				
4	BACK COVER	COPPER ALLOY	1	PLATED NICKEL	X. ±0.35	X.* ±2*	mm	TITLE: USB AF 90° DII 侧插三只脚 卷边 PART NO.: DR: gan 2014/6/18 DWG NO.: CHKD: gan 2014/6/18 APPD:				
3	HOUSING	PBT	1	UL94V-0	.X ±0.3	.X.* ±1*	MAT'L					
2	SHELL	COPPER ALLOY	1	PLATED NICKEL	.XX ±0.25	.XX.*	SEE NOTE					
1	TERMINAL	COPPER ALLOY	4	PLATED GOLD/TIN	.XXX ±0.15	.XXX.*	FINISH					
							SEE NOTE	Q'TY	SCALE	SHEET	REV.	CUSTOMER
									1:1	1/1	B	DRAWING

THESE DRAWINGS AND SPECIFICATIONS ARE THE PROPERTY OF ACCURATE INNOTECH INC AND SHALL NOT BE REPRODUCED, COPIED OR USED IN ANY MANNER WITHOUT THE PRIOR WRITTEN CONSENT OF ACCURATE INNOTECH INC.

