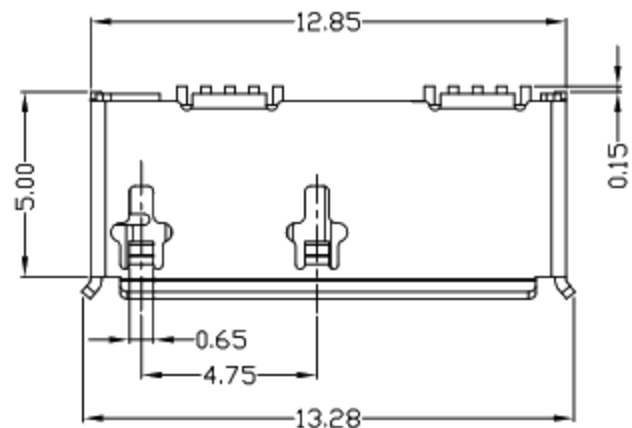


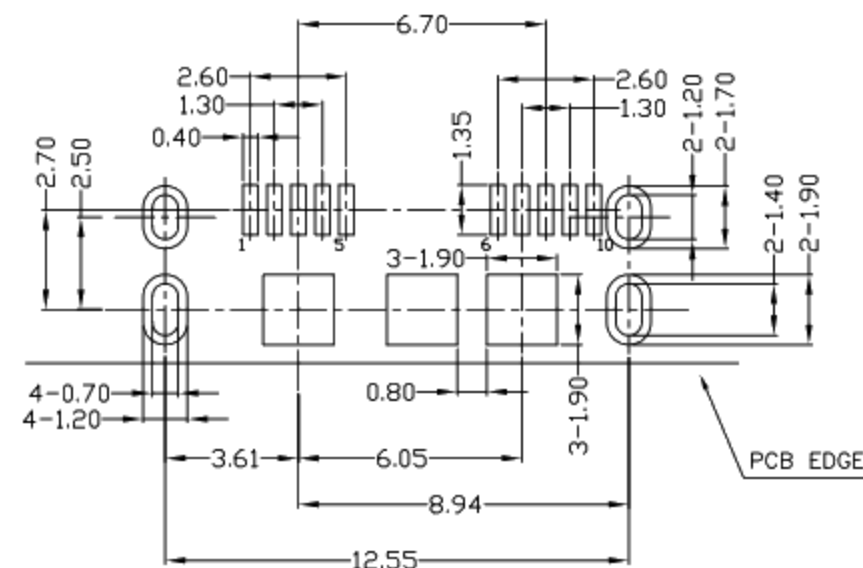


RoHS Compliant
2002/95/EC

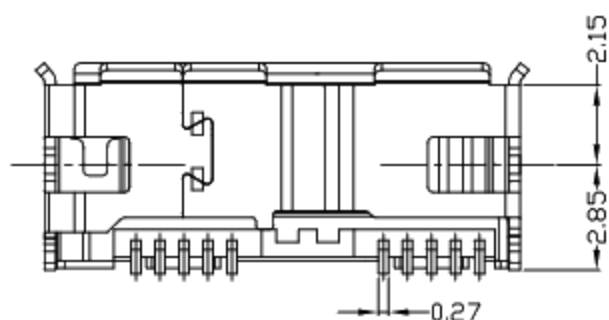
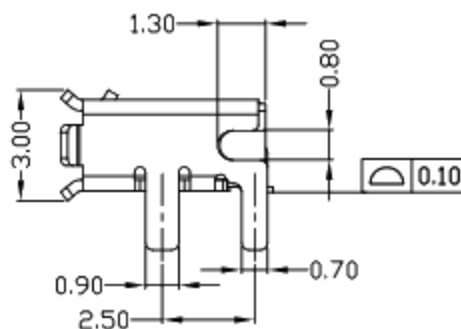
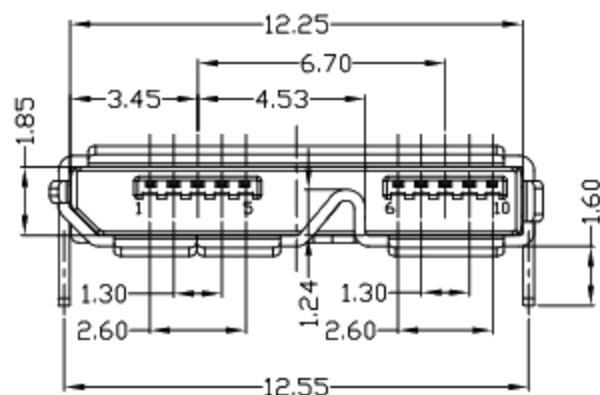
REV	LTR	DESCRIPTION	DATE	REVISER	APPD



PIN NUMBER	SIGNAL NAME
1	VBUS
2	D-
3	D+
4	ID
5	GND
6	MICB_SSTX-
7	MICB_SSTX+
8	GND_DRAIN
9	MICB_SSRX-
10	MICB_SSRX+
Shell	Shield



RECOMMENDED P.C.B LAYOUT



NOTES:

- ELECTRICAL:
 - VOLTAGE CURRENT RATING: 1AMP, 30V AC;
 - INSULATION RESISTANCE: 100MΩ MIN;
 - CONTACT RESISTANCE: 30mΩ MAX;
 - WITHSTANDING VOLTAGE: 500V AC;
 - OPERATING TEMPERATURE: -40°C TO +85°C.
- Mechanical:
 - Mating Force: 35N MAX
 - Unmating Force: 10N MIN.
- NOTE: 1. DIMENSIONS MARKED "▼" TO BE CHECKED BY Q.C & IPQC.

4. PART NO.

1: Au 1U"
5: Au 15U"
6: Au 30U"

W: WHITE
B: BLACK
1: PBT
2: PA6T
3: PA9T
4: LCP

Bill of materials:

NO	PARTS	MATERIAL	QTY	FINISHING
3	SHELL	STAINLESS STEEL	1	PLATED NICKEL
2	HOUSING	LCP+30%GF	1	UL94V-0
1	TERMINAL	COPPER ALLOY	10	PLATED GOLD/TIN

X.	X.* ±2'	UNITS
±0.35	±2'	mm
.X	.X' ±1'	MAT'L
±0.3	±1'	SEE NOTE
.XX	.XX'	FINISH
±0.25	±0.25'	SEE NOTE
.XXX	.XXX'	Q'TY
±0.15	±0.15'	SEE NOTE

THESE DRAWINGS AND SPECIFICATIONS ARE THE PROPERTY OF ACCURATE INNOVATECH INC AND SHALL NOT BE REPRODUCED, COPIED OR USED IN ANY MANNER WITHOUT THE PRIOR WRITTEN CONSENT OF ACCURATE INNOVATECH INC

廣東科斯達電子科技有限公司

TITLE: MICRO USB 3.0 B FEMALE SMT TYPE (DIP SHELL) 12.55 4PIN 圓12.6	PART NO.:
DR: gan 2018/1/20	DWG NO.:
CHKD: gan 2018/1/20	SCALE SHEET REV. CUSTOMER DRAWING
APPD:	1:1 1/1 B