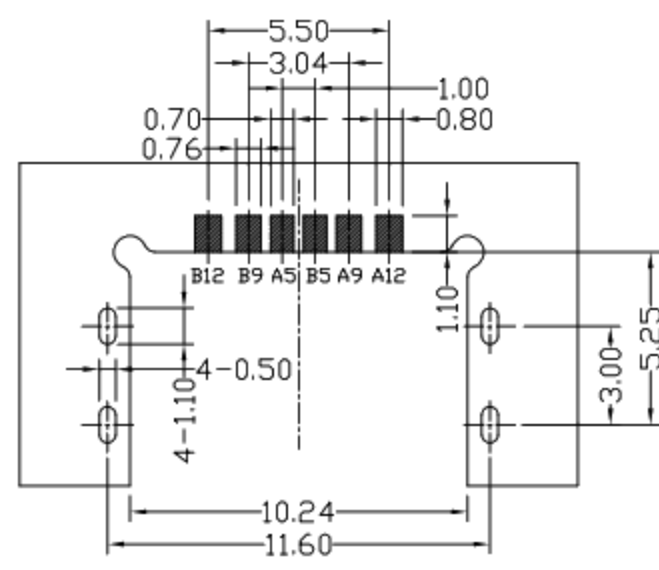
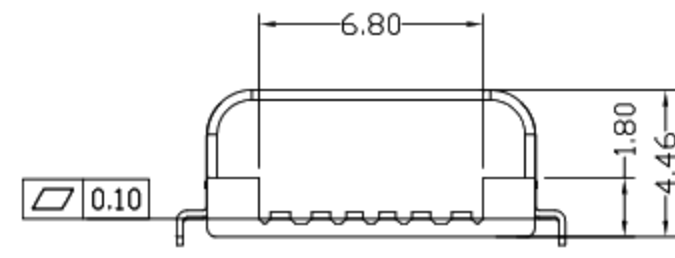
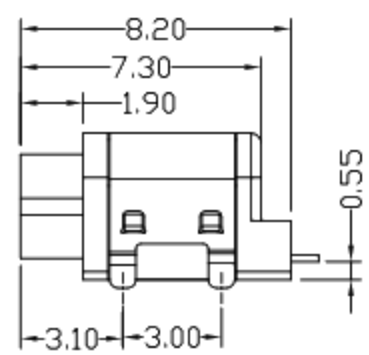
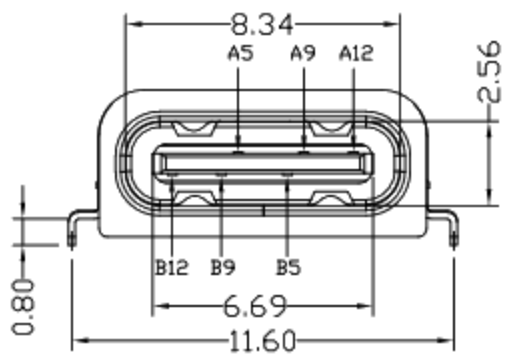
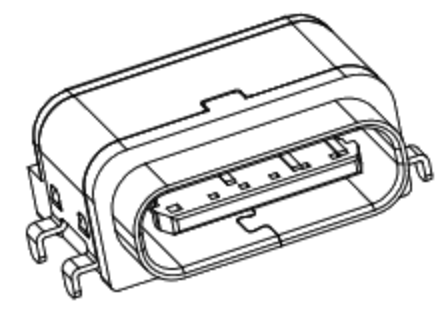
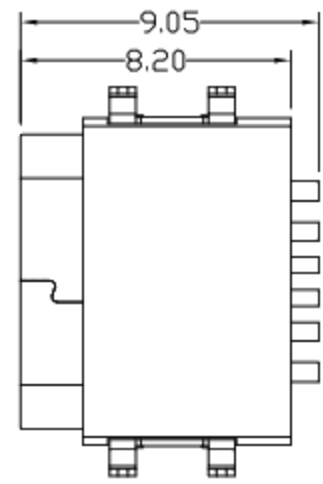
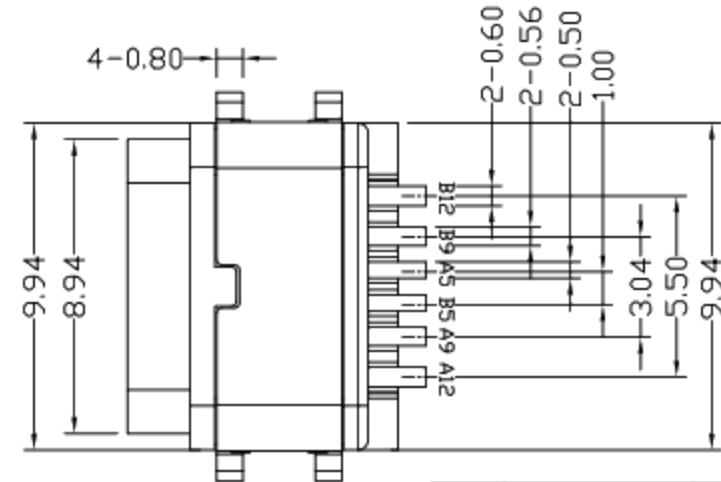




REV.	ECN.	NO.	APPD.



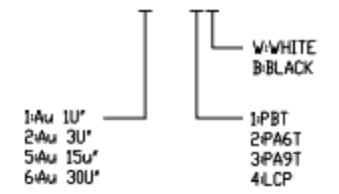
RECOMMENDED P.C.B. LAYOUT
TOLERANCE UNSPECIFIED ±0.05mm



A5	CC1	B12	GND
A9	VBUS	B9	VBUS
A12	GND	B5	CC2
PIN	SIGNAL NAME	PIN	SIGNAL NAME

NOTES:
1.ELECTRICAL:
1)CURRENT RATING: 3A MAX.
2)INSULATION RESISTANCE: 100MΩ MIN;
3)CONTACT RESISTANCE: 40mΩ MAX;
4)WITHSTANDING VOLTAGE: 100V AC
5)OPERATING TEMPERATURE:-30°C TO +85°C.
2.Mechanical:
1)Mating Force: 5N~20N
2)Unmating Force: 8N~20N
3)Durability: 10,000 cycles
3.DIMENSIONS MARKED '▼'
TO BE CHECKED BY Q.C & IPQC.

4.PART NO.



6	WATERPROOF RING	硅橡胶	1	BLACK	X.X ±0.30	X.' ±2'	UNITS mm
5	SHELL	STAINLESS STEEL	1	PLATED NICKEL	.XX ±0.20	.XX' ±1'	MAT'L
4	SHIELDING PLATE	STAINLESS STEEL	1		.XXX ±0.10	.XXX' ±0.5'	SEE NOTE
3	CONTACT	COPPER ALLOY	6	PLATED GOLD/TIN			FINISH
2	SHELL HOUSING	LCP+30%GF	1	UL94V-0			SEE NOTE
1	HOUSING	LCP+30%GF	1	UL94V-0			Q'TY
NO	PARTS	MATERIAL	QTY	FINISHING			

THESE DRAWINGS AND SPECIFICATIONS ARE THE PROPERTY OF ACCURATE INNOTECH INC AND SHALL NOT BE REPRODUCED, COPIED OR USED IN ANY MANNER WITHOUT THE PRIOR WRITTEN CONSENT OF ACCURATE INNOTECH INC

廣東科斯達電子科技有限公司

TITLE: USB Type-CF 单排6P 四脚插板 防水型	PART NO.:
DR: Ricky 2019/08/20	DWG NO.:
CHKD: Ricky 2019/08/20	SCALE SHEET REV. CUSTOMER DRAWING
APPD:	1:1 1/1 B