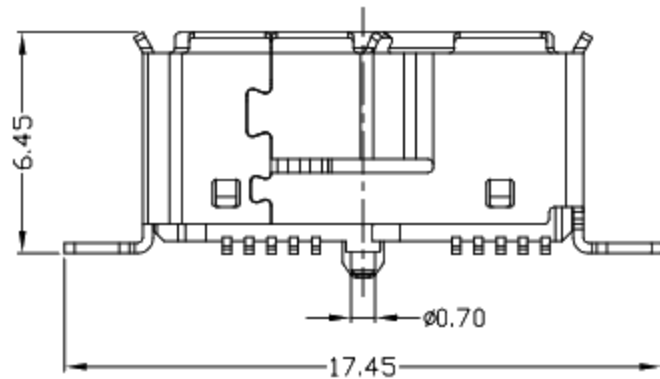
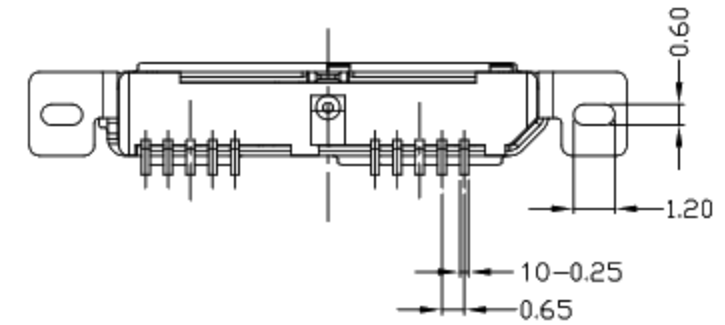
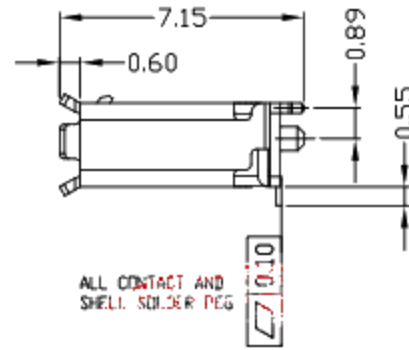
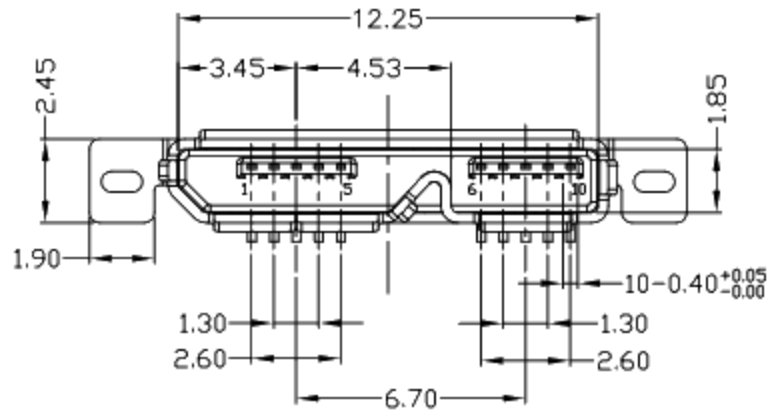
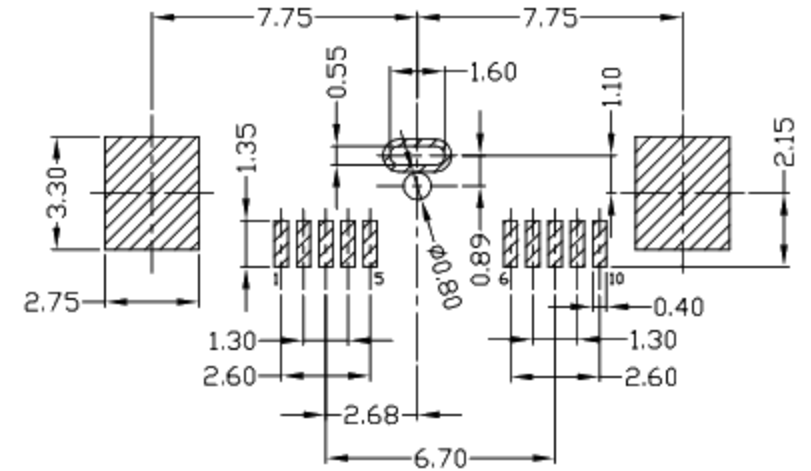
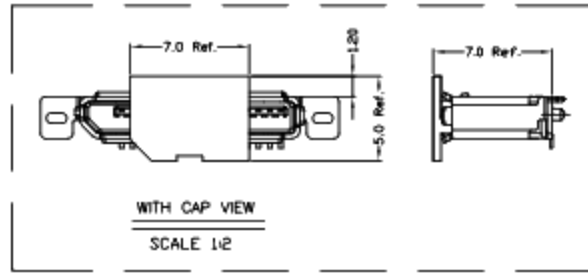
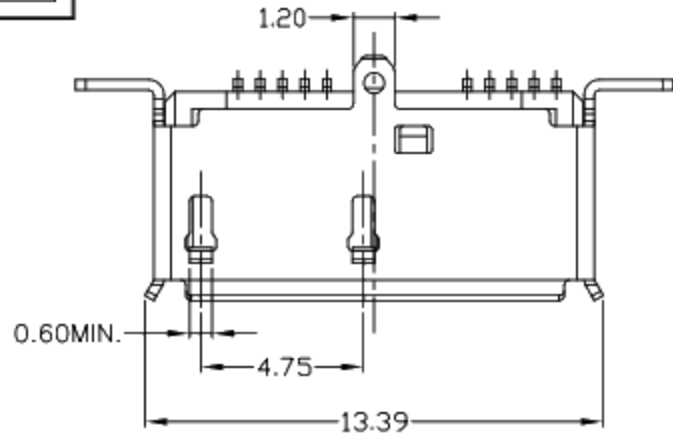




RoHS
Compliant
2002/95/EC

| REV | LTR | DESCRIPTION | DATE | REVISER | APPD |
|-----|-----|-------------|------|---------|------|
| | | | | | |



| PIN NUMBER | SIGNAL NAME |
|------------|-------------|
| 1 | V BUS |
| 2 | D- |
| 3 | D+ |
| 4 | ID |
| 5 | GND |
| 6 | MICB_SSTX- |
| 7 | MICB_SSTX+ |
| 8 | GND_DRAIN |
| 9 | MICB_SSRX- |
| 10 | MICB_SSRX+ |
| Shell | Shield |

NOTES:

- ELECTRICAL:
 - VOLTAGE CURRENT RATING: 1AMP, 30V AC;
 - INSULATION RESISTANCE: 100MΩ MIN;
 - CONTACT RESISTANCE: 30mΩ MAX;
 - WITHSTANDING VOLTAGE: 500V AC;
 - OPERATING TEMPERATURE: -40°C TO +85°C.
- Mechanical:
 - Mating Force: 35N MAX
 - Unmating Force: 10N MIN.
- DIMENSIONS MARKED "▼" TO BE CHECKED BY Q.C & IPQC.

4. PART NO.

1: Au 1U*
5: Au 15U*
6: Au 30U*
W: WHITE
B: BLACK
1: PBT
2: PA6T
3: PA9T
4: LCP

Bill of materials:

| NO | PARTS | MATERIAL | QTY | FINISHING | UNITS | mm | 廣東科斯達電子科技有限公司 | | | | | |
|----|----------|-----------------|-----|-----------------|--|---------|---------------|---|-----------------------------------|-----|---|--|
| 3 | SHELL | STAINLESS STEEL | 1 | PLATED NICKEL | X. ±0.35 | X.* ±2' | TITLE: | MICRO USB 3.0 B TYPE F 180度自立式 銅鍍0.5 圓形H字 | | | | |
| 2 | HOUSING | LCP+30%GF | 1 | UL94V-0 | .X ±0.3 | .X* ±1' | MAT'L | PART NO.: | | | | |
| 1 | TERMINAL | COPPER ALLOY | 10 | PLATED GOLD/TIN | .XX ±0.25 | .XX* | SEE NOTE | DR: | gan 2017/08/06 | | | |
| | | | | | .XXX ±0.15 | .XXX* | SEE NOTE | CHKD: | gan 2017/08/06 | | | |
| | | | | | THESE DRAWINGS AND SPECIFICATIONS ARE THE PROPERTY OF ACCURATE INNOTECH INC. AND SHALL NOT BE REPRODUCED, COPIED OR USED IN ANY MANNER WITHOUT THE PRIOR WRITTEN CONSENT OF ACCURATE INNOTECH INC. | | Q'TY | APPD: | SCALE SHEET REV. CUSTOMER DRAWING | | | |
| | | | | | | | | | 1:1 | 1/1 | B | |