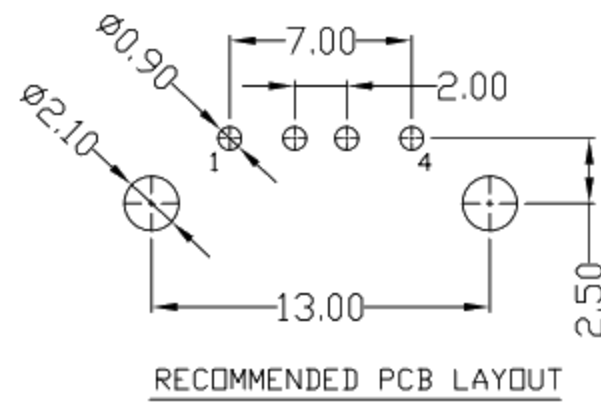
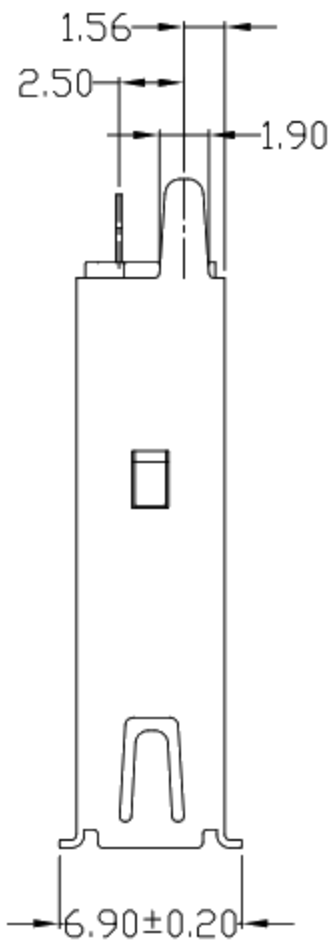
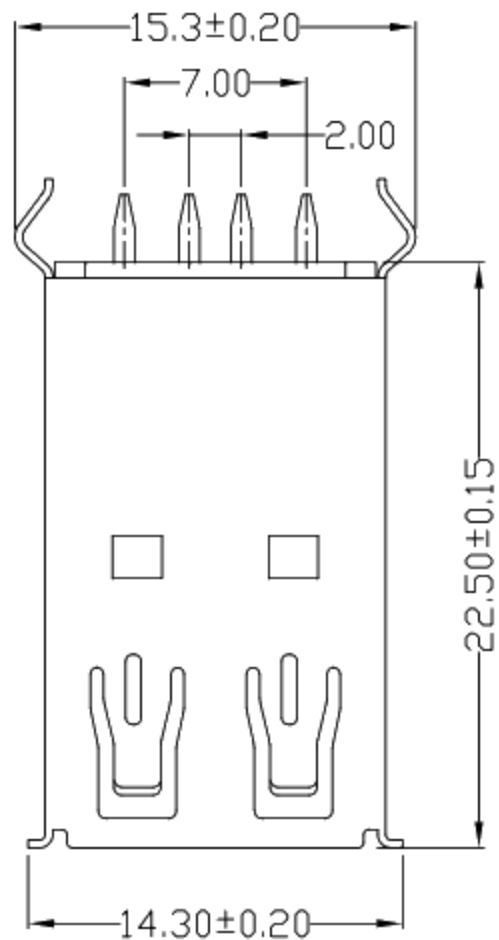
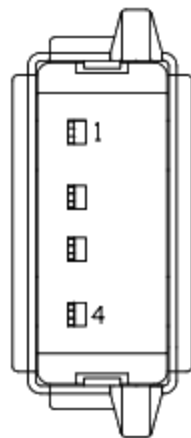




RoHS
Compliant
2002/95/EC

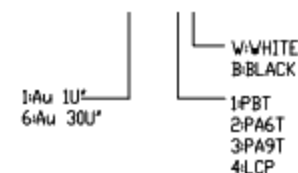
REV	LTR	DESCRIPTION	DATE	REVISER	APPD



NOTES

- ELECTRICAL:
 - VOLTAGE CURRENT RATING: 2AMP,30V AC;
 - INSULATION RESISTANCE: 1000MΩ MIN;
 - CONTACT RESISTANCE: 30mΩ MAX;
 - WITHSTANDING VOLTAGE: 500V AC;
 - OPERATING TEMPERATURE: -55°C TO +85°C.
- Mechanical:
 - Mating Force: 35N MAX
 - Unmating Force: 10N MIN.
- NOTE:1.DIMENSIONS MARKED "▼"
TO BE CHECKED BY Q.C & IPQC.

4.PART NO.



Bill of materials:

NO	PARTS	MATERIAL	QTY	FINISHING	UNITS	mm	廣東科斯達電子科技有限公司					
3	HOUSING	PBT+30%GF	1	UL94V-0	X. ±0.35	X.* ±2'	TITLE: USB AP DTP 180度 全包 卷边弯脚有后塞 22.5	PART NO.:				
2	SHELL	SPCC	1	PLATED NICKEL	.X ±0.3	.X* ±1'						DR: Ricky 2018/11/23
1	TERMINAL	COPPER ALLOY	4	PLATED GOLD/TIN	.XX ±0.25	.XX*		CHKD: Ricky 2018/11/23	SCALE	SHEET	REV.	
					.XXX ±0.15	.XXX*		APPD:	1:1	1/1	B	CUSTOMER DRAWING
					THESE DRAWINGS AND SPECIFICATIONS ARE THE PROPERTY OF ACCURATE INNOTECH INC AND SHALL NOT BE REPRODUCED, COPIED OR USED IN ANY MANNER WITHOUT THE PRIOR WRITTEN CONSENT OF ACCURATE INNOTECH INC.		Q'TY					