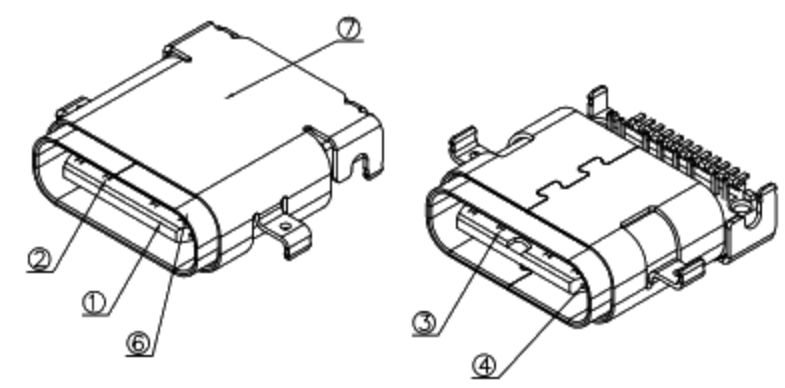
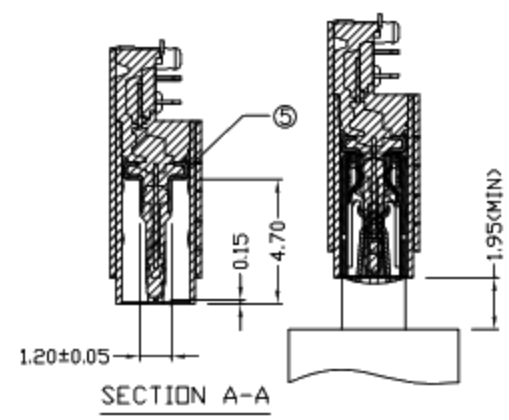
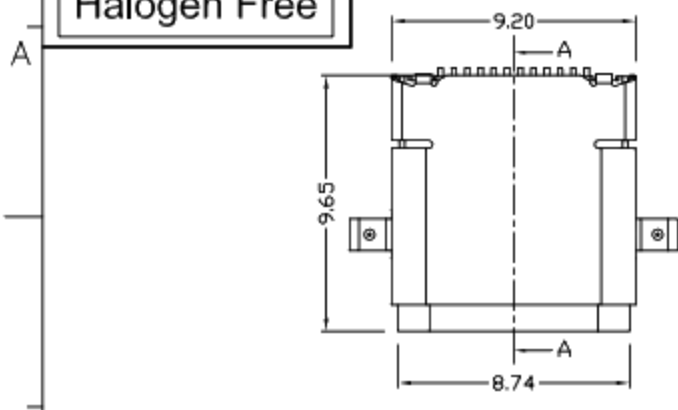
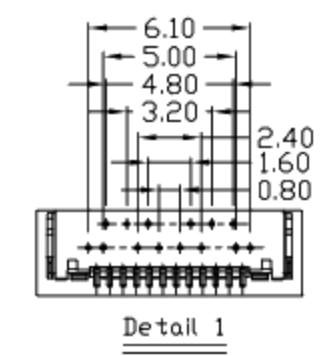
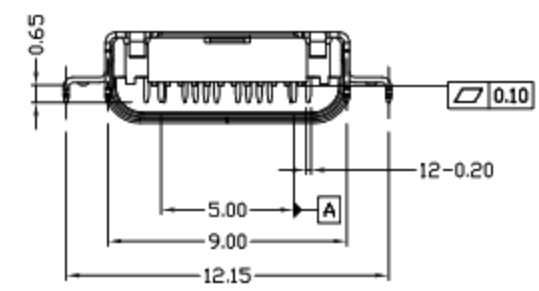
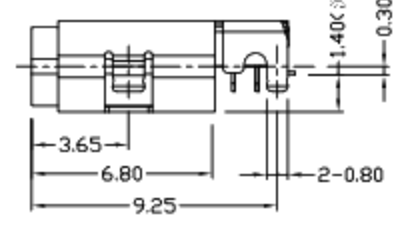
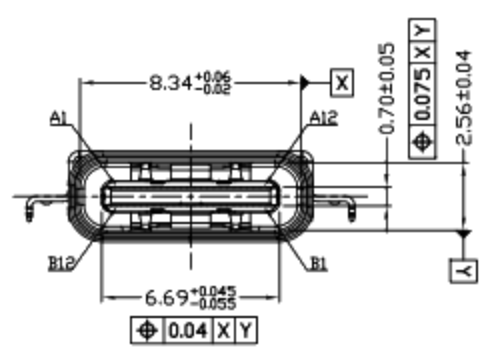


RoHS Compliant  
2002/95/EC  
Halogen Free

REV.	ECN.	NO.	APPD.



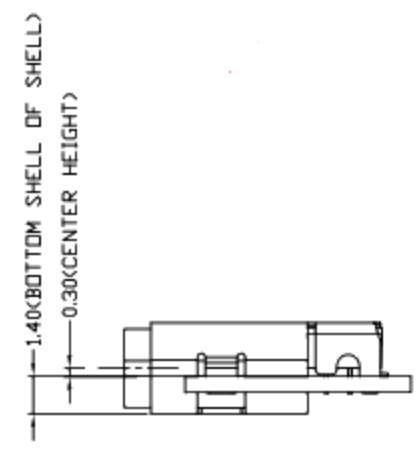
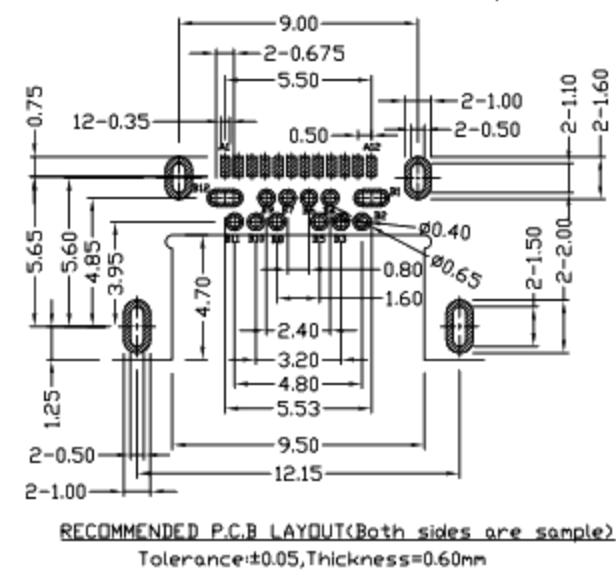
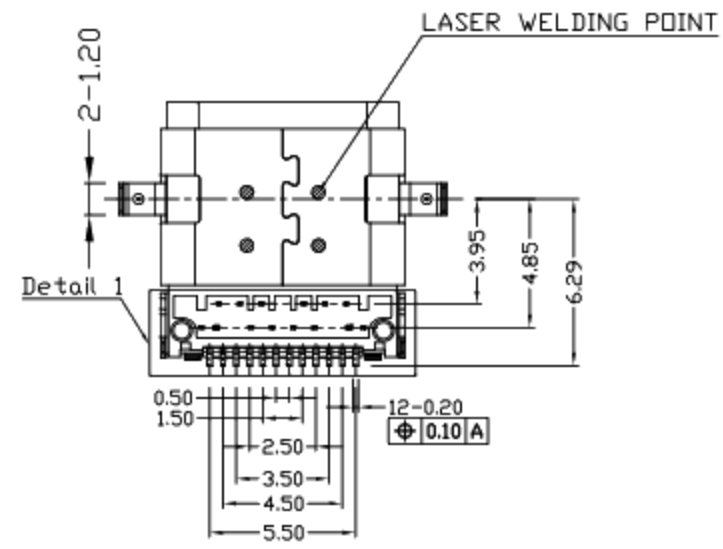
Pin	Signal Name	Mating Sequence	Pin	Signal Name	Mating Sequence
A1	GND	First	B12	GND	First
A2	SSTXp1	Second	B11	SSRXp1	Second
A3	SSTXn1	Second	B10	SSRXn1	Second
A4	V <sub>bus</sub>	First	B9	V <sub>bus</sub>	First
A5	CC1	Second	B8	SBL2	Second
A6	Dp1	Second	B7	Dn2	Second
A7	Dn1	Second	B6	Dp2	Second
A8	SBC1	Second	B5	CC2	Second
A9	V <sub>cc</sub>	First	B4	V <sub>cc</sub>	First
A10	SSRXn2	Second	B3	SSTXn2	Second
A11	SSRXp2	Second	B2	SSTXp2	Second
A12	GND	First	B1	GND	First
SHELL	GND		SHELL	GND	



W-WHITE  
B-BLACK

1-Au 1U'  
2-Au 3U'  
3-Au 15U'  
4-Au 30U'

1-PBT  
2-PA6T  
3-PA9T  
4-LCP  
5-PA46



NOTES:  
1.ELECTRICAL:  
1)CURRENT RATING: 5A(VBUS PIN 1.5A/PIN), 5A(GND PIN 1.25A/PIN MAX),0.25A/PIN(OTHER PIN).  
2)INSULATION RESISTANCE: 100MΩ MIN 250V DC;  
3)CONTACT RESISTANCE: INITIAL 40mΩ MAX; AFTER 50mΩ MAX;  
4)WITHSTANDING VOLTAGE: 100V AC MIN;  
5)OPERATING TEMPERATURE:-40°C TO +80°C.  
2.Mechanical:  
1)Mating Force: 5N~20N MAX.  
2)Unmating Force: 8N~20N(INITIAL) 6N~20N(AFTER 10000 CYCLES) MIN.  
3)Durability: 10,000 MATING CYCLES.;  
3.DIMENSIONS MARKED "▼"  
TO BE CHECKED BY Q.C & IPQC.

Bill of materials:

NO	PARTS	MATERIAL	QTY	FINISHING	5	6	UNITS
7	SHELL-2	STAINLESS STEEL	1	PLATED NICKEL	X. ±0.35	X.* ±2*	mm
6	SHELL-1	STAINLESS STEEL	1	PLATED NICKEL	.X ±0.30	.X* ±1*	MAT'L
5	GND PLATE	STAINLESS STEEL	1	PLATED NICKEL	.XX ±0.25	.XX*	SEE NOTE
4	MID PLATE	STAINLESS STEEL	1	PLATED GOLD	.XXX ±0.15	.XXX*	SEE NOTE
3	TERMINAL-B	COPPER ALLOY	12	PLATED GOLD			FINISH
2	TERMINAL-A	COPPER ALLOY	12	PLATED GOLD			SEE NOTE
1	HOUSING	PA46+30%GF	1	UL94V-0			Q'TY
NO	PARTS	MATERIAL	QTY	FINISHING			

THESE DRAWINGS AND SPECIFICATIONS ARE THE PROPERTY OF ACCURATE INNOTECH INC AND SHALL NOT BE REPRODUCED, COPIED OR USED IN ANY MANNER WITHOUT THE PRIOR WRITTEN CONSENT OF ACCURATE INNOTECH INC.

廣東科斯達電子科技有限公司

TITLE: USB 3.1 CF CONNECTOR CI=0.30 沉板1.40mm DIP TYPE	PART NO.:			
DR: Ricky 2018/11/16	DWG NO.:			
CHKD: Ricky 2018/11/16	SCALE	SHEET	REV.	CUSTOMER DRAWING
APPD:	1:1	1/1	B	