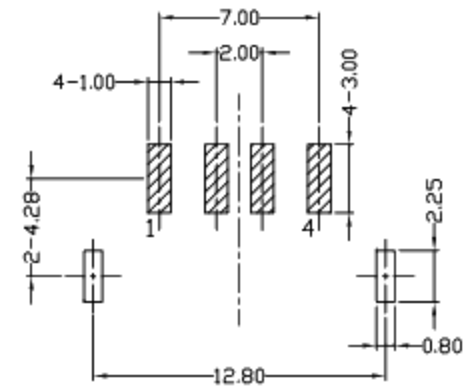
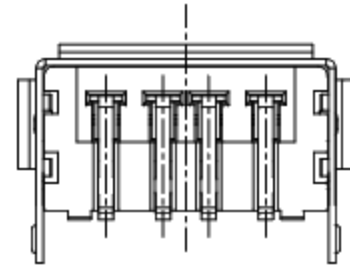
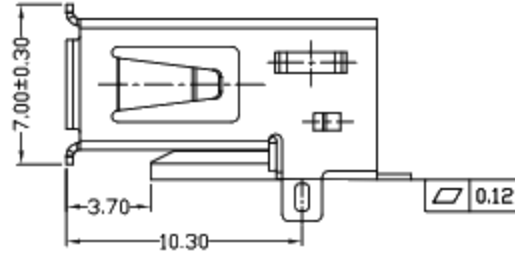
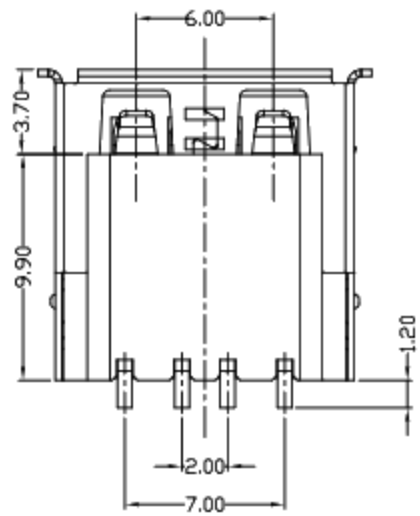
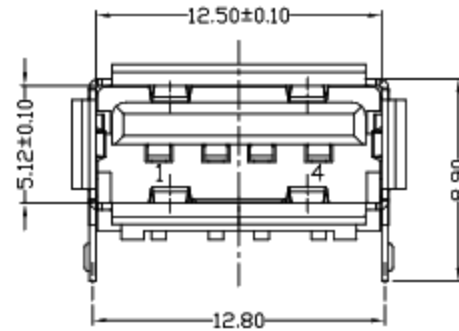
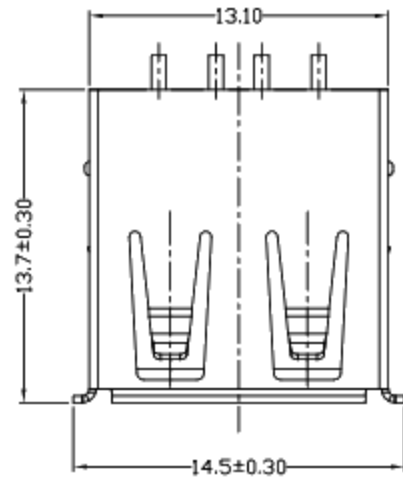




RoHS
Compliant
2002/95/EC

REV.	ECN.	NO.	APPD.



RECOMMENDED P.C.B. LAYOUT

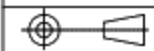
NOTES:

- ELECTRICAL:
 - VOLTAGE CURRENT RATING: 2AMP, 30V AC;
 - INSULATION RESISTANCE: 1000MΩ MIN;
 - CONTACT RESISTANCE: 30mΩ MAX;
 - WITHSTANDING VOLTAGE: 500V AC;
 - OPERATING TEMPERATURE: -55°C TO +85°C.
- Mechanical:
 - Mating Force: 35N MAX
 - Unmating Force: 10N MIN.
- DIMENSIONS MARKED "▼"
TO BE CHECKED BY Q.C & IPQC.

4.PART NO.

1-Au 1U*	1-PBT
6-Au 30U*	2-PA6T
	3-PA9T
	4-LCP

5					.X ±0.30	.X* ±1*	UNITS	廣東科斯達電子科技有限公司
4					.XX ±0.20	.XX*	mm	
3	HOUSING	LCP+30%GF	1	UL94V-0	.XXX ±0.10	.XXX*	MAT'L	
2	SHELL	COPPER ALLOY/SPCC	1	PLATED NICKEL			SEE NOTE	
1	TERMINAL	COPPER ALLOY	4	PLATED GOLD/TIN			FINISH	
NO	PARTS	MATERIAL	QTY	FINISHING	THESE DRAWINGS AND SPECIFICATIONS ARE THE PROPERTY OF ACCURATE INNOTECH INC AND SHALL NOT BE REPRODUCED, COPIED OR USED IN ANY MANNER WITHOUT THE PRIOR WRITTEN CONSENT OF ACCURATE INNOTECH INC		Q'TY	TITLE: USB AF SMT 型直脚有凸包无柱 端子外露1.20
							APPD:	PART NO.:
								DR: Ricky 2017/12/13
								CHKD: Ricky 2017/12/13
								DWG NO.:
								SCALE
								SHEET
								REV.
								CUSTOMER DRAWING



SCALE	SHEET	REV.	CUSTOMER DRAWING
1:1	1/1	B	