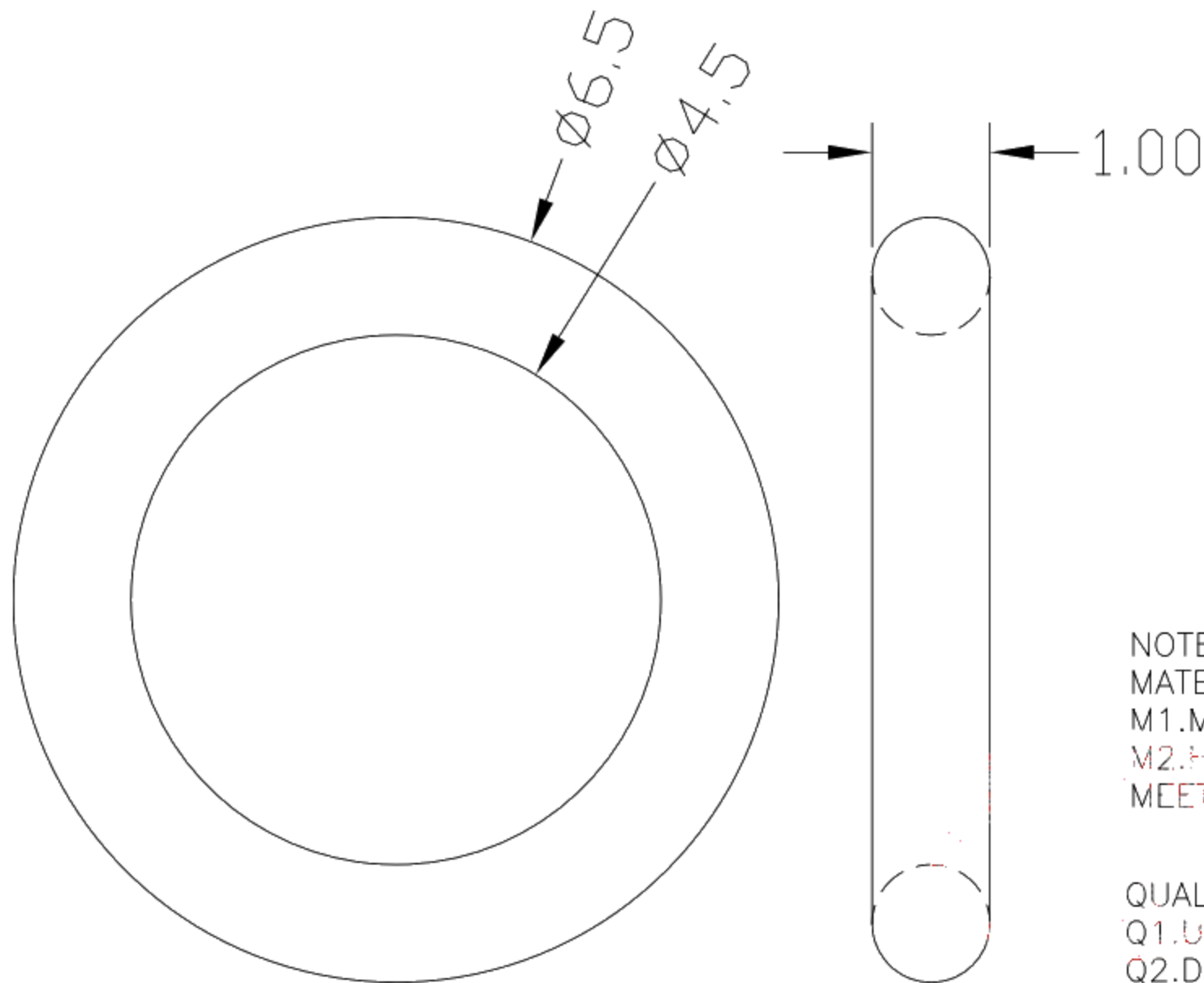




RoHS  
Compliant  
2002/95/EC

REV.	ECN.	NO.	APPD.



NOTES

MATERIAL

M1.MATERIAL : Silicone , 94V0

M2.HARDNESS : 70°

MEET ROHS 2

QUALITY CONTROL

Q1.UNSPECIFIED DIMENSIONS REFER TO 3D MODEL.

Q2.DIMENSIONS TOLERANCE : ABOVE 31.00mm±0.20mm

30.00mm~11.00mm±0.15mm

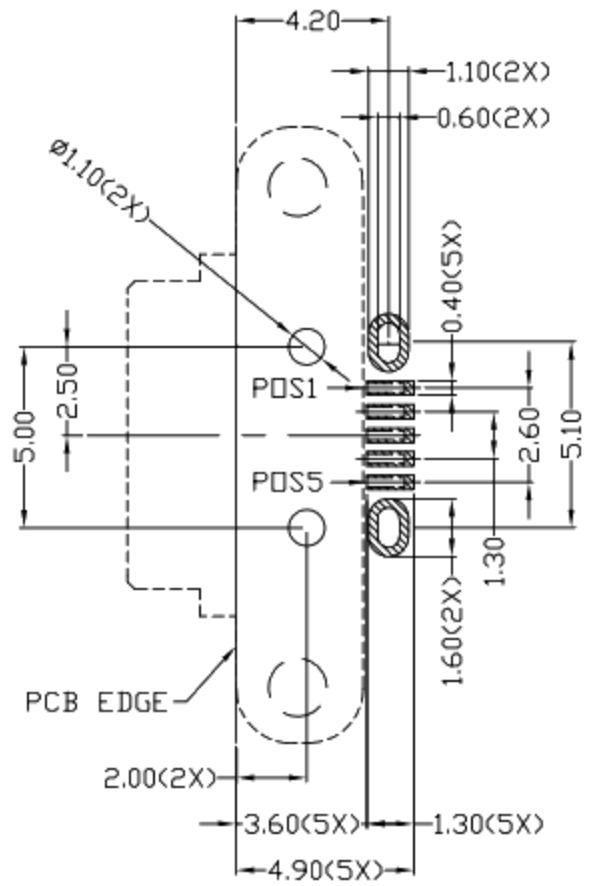
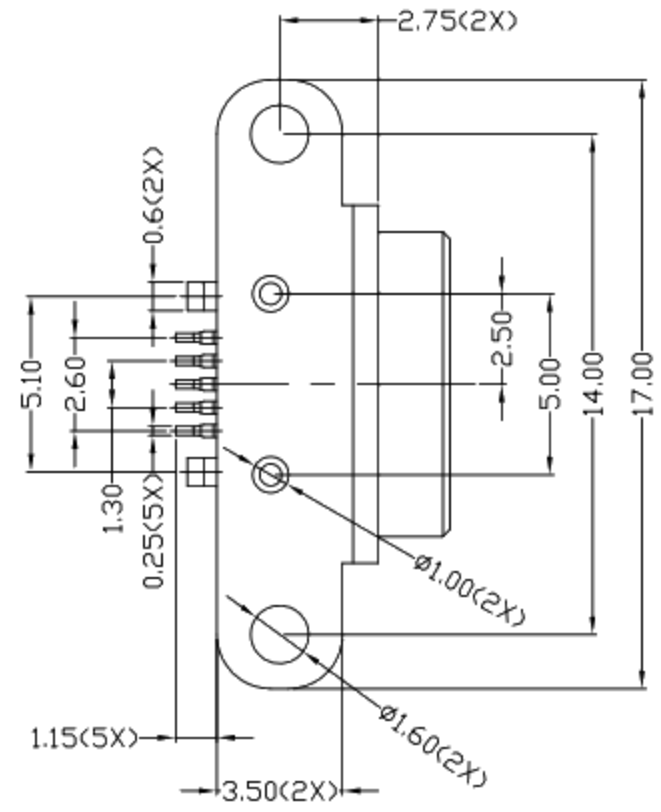
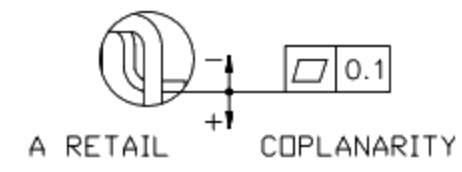
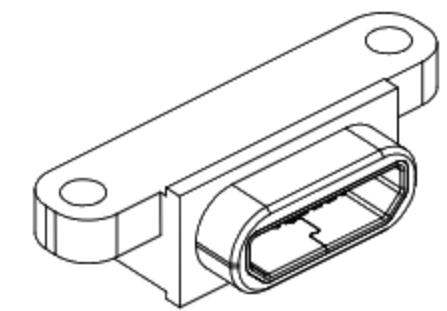
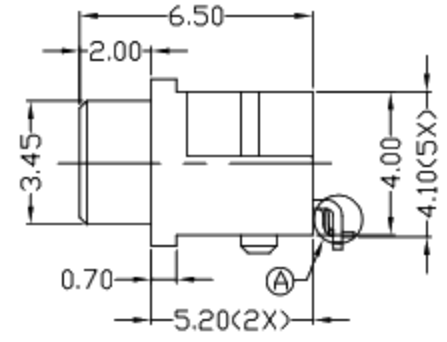
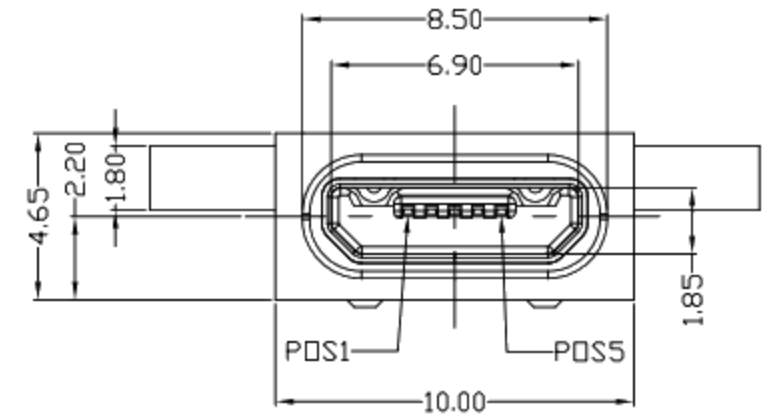
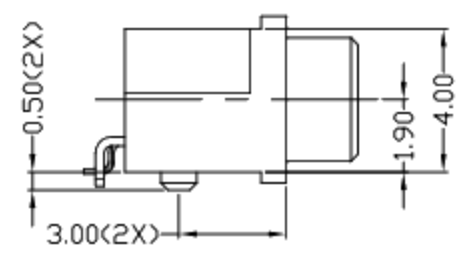
BELOW 10mm±0.10mm

4					X. ±0.35	X.' ±2'	UNITS	<b>廣東科斯達電子科技有限公司</b> TITLE: D-RING DR: <i>Ricky</i> 2017/06/09 CHKD: <i>Ricky</i> 2017/06/09 APPD:	PART NO.:  DWG NO.:  SCALE: 10:1 SHEET: 1/1 REV.: B CUSTOMER DRAWING
3				.X ±0.3	.X' ±1'	MAT'L			
2				.XX ±0.25	.XX'	SEE NOTE			
1				.XXX ±0.15	.XXX'	FINISH SEE NOTE			
NO	PARTS	MATERIAL	QTY	FINISHING	THESE DRAWINGS AND SPECIFICATIONS ARE THE PROPERTY OF ACCURATE INNOTECH INC AND SHALL NOT BE REPRODUCED, COPIED OR USED IN ANY MANNER WITHOUT THE PRIOR WRITTEN CONSENT OF ACCURATE INNOTECH INC				



RoHS  
Compliant  
2002/95/EC

REV.	ECN. NO.	NO.	APPD.



RECOMMENDED PCB LAYOUT

TOP VIEW

NOTES :

- ELECTRICAL :
  - VOLTAGE CURRENT RATING: PIN 1,5:1.8A/30V AC Max.; PIN 2,3,4:0.5A/30V AC Max.
  - INSULATION RESISTANCE: 100MΩ MIN;
  - CONTACT RESISTANCE: 30mΩ MAX;
  - WITHSTANDING VOLTAGE: 300V AC;
  - OPERATING TEMPERATURE:-25°C TO +85°C.
- Mechanical :
  - Mating Force: 35N MAX
  - Unmating Force: 8N MIN.
- DIMENSIONS MARKED "▼" TO BE CHECKED BY Q.C & IPQC.

1:Au 1U*	W:WHITE
6:Au 30U*	B:BLACK
T:TIN	1:PBT
N:NICKEL	2:PA6T
	3:PA9T
	4:LCP
	7:PA10T

Bill of materials:

4	INSULATOR	LCP	1	UL94V-0
3	HOUSING	PA10T	1	UL94V-0
2	SHELL	STAINLESS STEEL	1	PLATED NICKED
1	TERMINAL	COPPER ALLOY	5	PLATED GOLD
NO	PARTS	MATERIAL	QTY	FINISHING

X. ±0.35	X.* ±2*	UNITS	mm
.X ±0.3	.X.* ±1*	MAT'L	SEE NOTE
.XX ±0.25	.XX*	FINISH	SEE NOTE
.XXX ±0.15	.XXX*	Q'TY	SEE NOTE
THESE DRAWINGS AND SPECIFICATIONS ARE THE PROPERTY OF ACCURATE INNOTECH INC AND SHALL NOT BE REPRODUCED, COPIED OR USED IN ANY MANNER WITHOUT THE PRIOR WRITTEN CONSENT OF ACCURATE INNOTECH INC			

廣東科斯達電子科技有限公司

TITLE: WATERPROOF MICRO USB B TYPE 5P FEMALE CONNECTOR	PART NO.:			
DR: Ricky 2017/06/09	DWG NO.:			
CHKD: Ricky 2017/06/09	SCALE	SHEET	REV.	CUSTOMER DRAWING
APPD:	4:1	1/1	B	