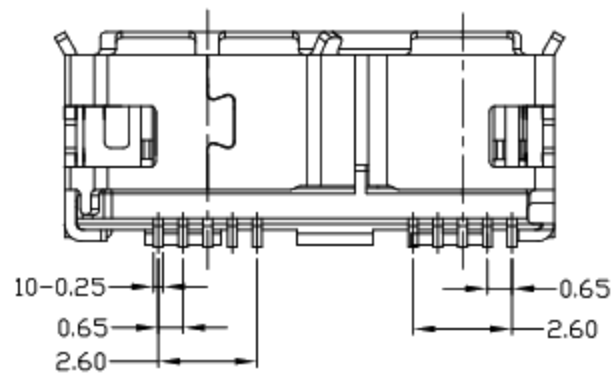
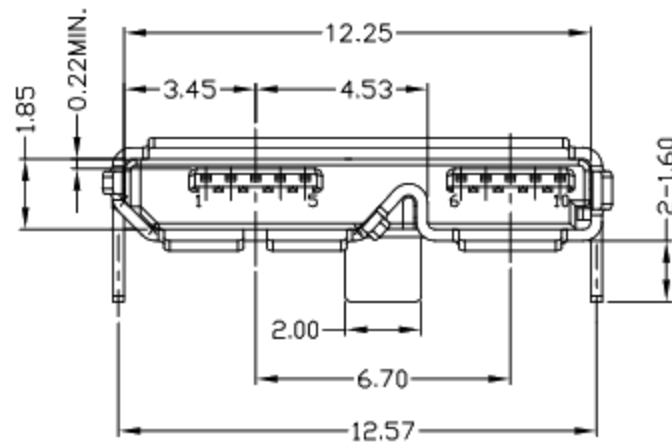
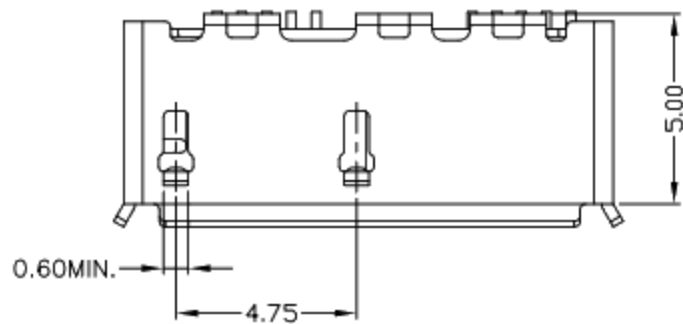


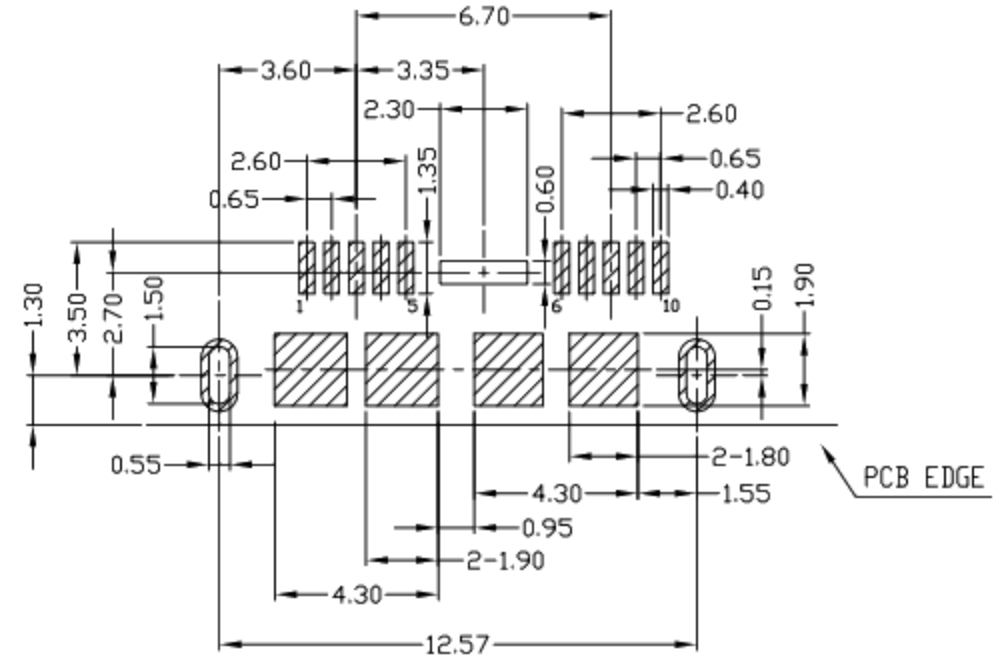
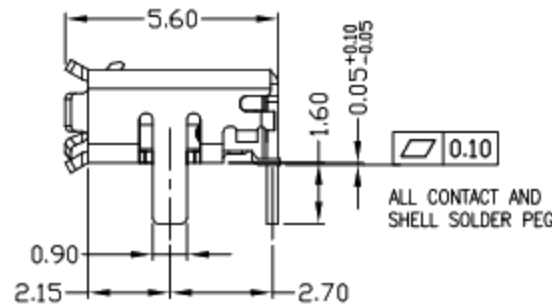


RoHS
Compliant
2002/95/EC

| REV | LTR | DESCRIPTION | DATE | REVISER | APPD |
|-----|-----|-------------|------|---------|------|
| | | | | | |



| PIN NUMBER | SIGNAL NAME |
|------------|-------------|
| 1 | VBUS |
| 2 | D- |
| 3 | D+ |
| 4 | ID |
| 5 | GND |
| 6 | MICB_SSTX- |
| 7 | MICB_SSTX+ |
| 8 | GND_DRAIN |
| 9 | MICB_SSRX- |
| 10 | MICB_SSRX+ |
| Shell | Shield |



RECOMMENDED P.C.B. LAYOUT

NOTES:

- ELECTRICAL:
 - VOLTAGE CURRENT RATING: 1AMP, 30V AC;
 - INSULATION RESISTANCE: 100MΩ MIN;
 - CONTACT RESISTANCE: 30mΩ MAX;
 - WITHSTANDING VOLTAGE: 500V AC;
 - OPERATING TEMPERATURE: -40°C TO +85°C.
- Mechanical:
 - Mating Force: 35N MAX
 - Unmating Force: 10N MIN.
- DIMENSIONS MARKED "▼" TO BE CHECKED BY Q.C & IPQC.

4. PART NO.

1: Au 1U*
5: Au 15U*
6: Au 30U*
W: WHITE
B: BLACK
1: PBT
2: PA6T
3: PA9T
4: LCP

Bill of materials:

| NO | PARTS | MATERIAL | QTY | FINISHING |
|----|----------|-----------------|-----|-----------------|
| 3 | SHELL | STAINLESS STEEL | 1 | PLATED NICKEL |
| 2 | HOUSING | LCP+30%GF | 1 | UL94V-0 |
| 1 | TERMINAL | COPPER ALLOY | 10 | PLATED GOLD/TIN |

| X. | X.* | UNITS |
|--|-------|----------|
| ±0.35 | ±2* | mm |
| ±0.3 | ±1* | MAT'L |
| .XX ±0.25 | .XX* | SEE NOTE |
| .XXX ±0.15 | .XXX* | FINISH |
| THESE DRAWINGS AND SPECIFICATIONS ARE THE PROPERTY OF ACCURATE INNOTECH INC. AND SHALL NOT BE REPRODUCED, COPIED OR USED IN ANY MANNER WITHOUT THE PRIOR WRITTEN CONSENT OF ACCURATE INNOTECH INC. | | SEE NOTE |
| Q'TY | | Q'TY |

廣東科斯達電子科技有限公司

| | |
|--|-----------------------------------|
| TITLE: MICRO USB 3.0 B TYPE F 帶DIP型加強 腳 腳長1.60MM 腳距12.57MM | PART NO.: |
| DR: gan 2017/08/06 | DWG NO.: |
| CHKD: gan 2017/08/06 | SCALE SHEET REV. CUSTOMER DRAWING |
| APPD: | 1:1 1/1 B |