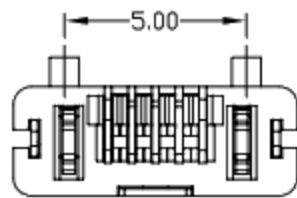
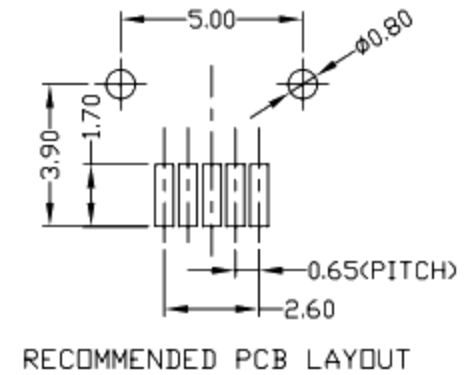
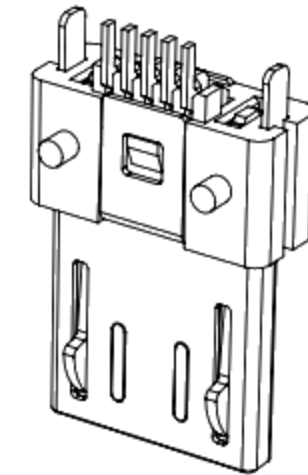
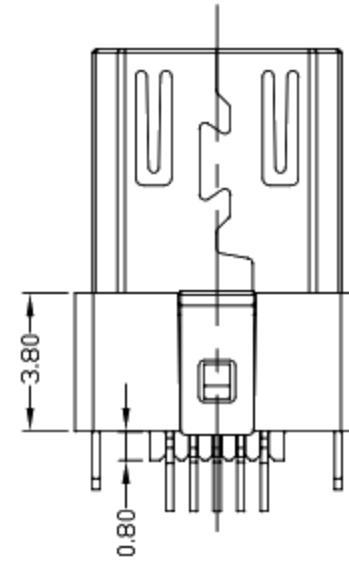
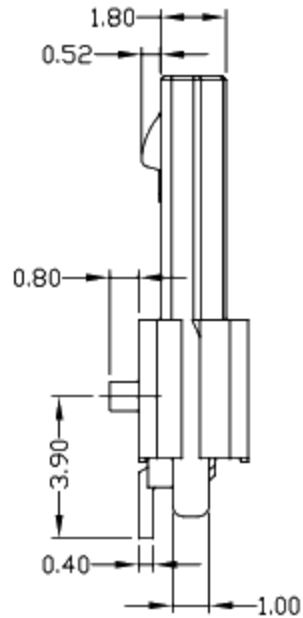
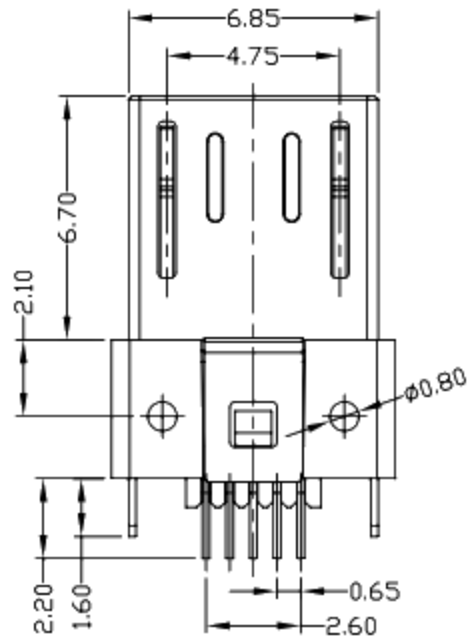
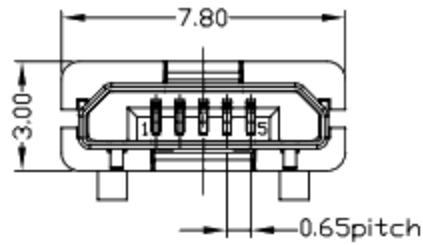




RoHS
Compliant
2002/95/EC

REV.	ECN.	NO.	APPD.



NOTES:

- ELECTRICAL:
 - VOLTAGE CURRENT RATING: 1.5AMP,250V AC;
 - INSULATION RESISTANCE: 1000MΩ MIN;
 - CONTACT RESISTANCE: 30mΩ MAX;
 - WITHSTANDING VOLTAGE: 500V AC;
 - OPERATING TEMPERATURE:-20°C TO +85°C.
- Mechanical:
 - Mating Force: 35N MAX
 - Unmating Force: 10N MIN.
- DIMENSIONS MARKED '▼' TO BE CHECKED BY Q.C & IPQC.

4. PART NO.

1Au	1U*	W/WHITE
6Au	30U*	B/BLACK
		1PBT
		2PA6T
		3PA9T
		4LCP
		5PA46

Bill of materials:

4	HOOK	STAINLESS STEEL	2	
3	HOUSING	PA46+30%GF	1	
2	SHELL	STAINLESS STEEL	1	PLATED NICKEL
1	TERMINAL	COPPER ALLOY	5	PLATED GOLD/TIN
NO	PARTS	MATERIAL	QTY	FINISHING

X. ±0.3	X.' ±2'	UNITS	mm
.X ±0.2	.X' ±1'	MAT'L	
.XX ±0.15	.XX'	SEE NOTE	
.XXX ±0.10	.XXX'	FINISH	
		SEE NOTE	

THESE DRAWINGS AND SPECIFICATIONS ARE THE PROPERTY OF ACCURATE INNOTECH INC AND SHALL NOT BE REPRODUCED, COPIED OR USED IN ANY MANNER WITHOUT THE PRIOR WRITTEN CONSENT OF ACCURATE INNOTECH INC.

Q'TY	
------	--

廣東科斯達電子科技有限公司

TITLE: MICRO USB 5P BM 超薄 反向

PART NO.:

DR: Ricky 2014/04/23

DWG NO.:

CHKD: Ricky 2014/04/23

APPD:

SCALE	SHEET	REV.	CUSTOMER DRAWING
1:1	1/1	B	