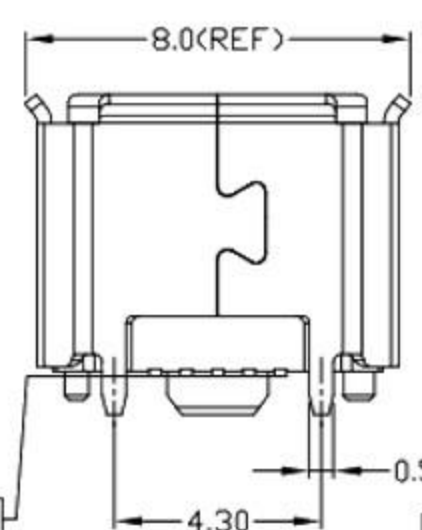
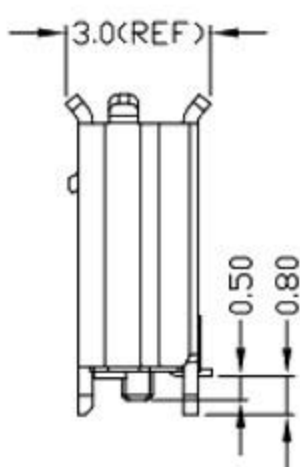
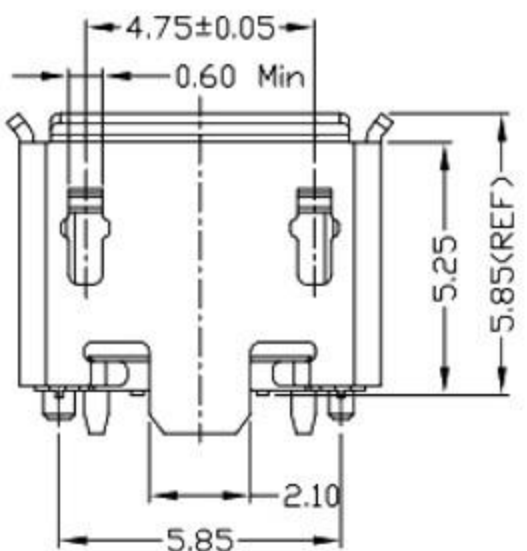
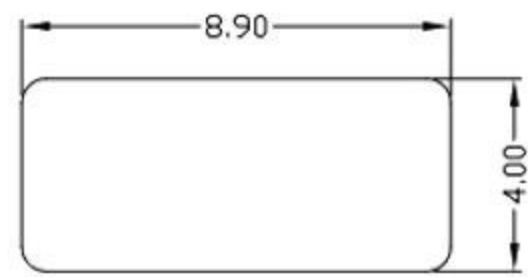
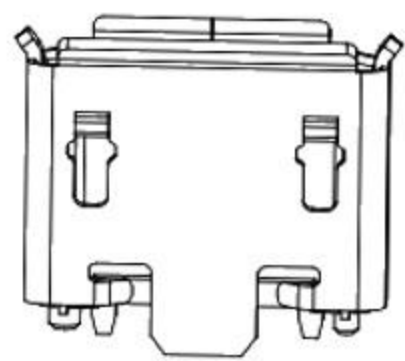
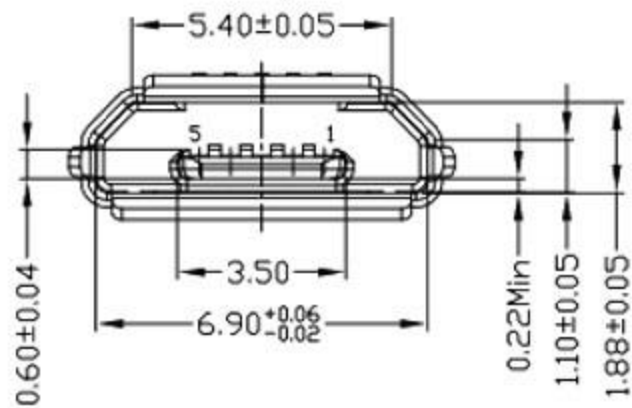
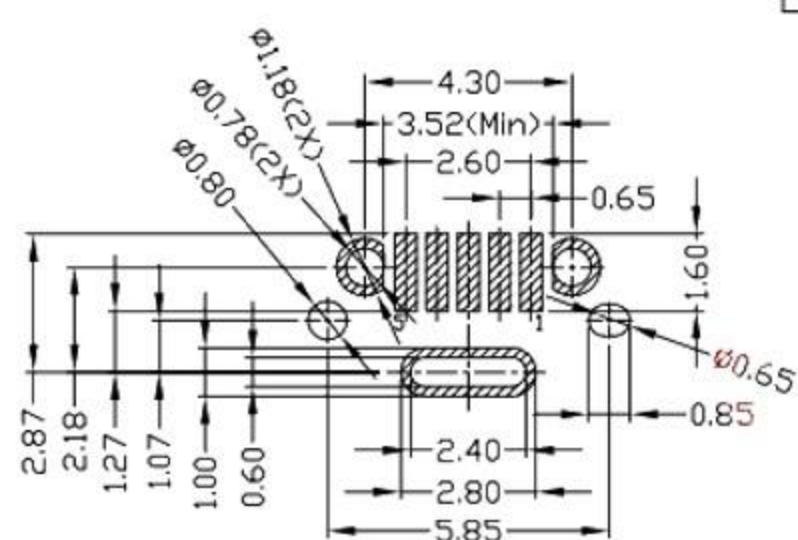
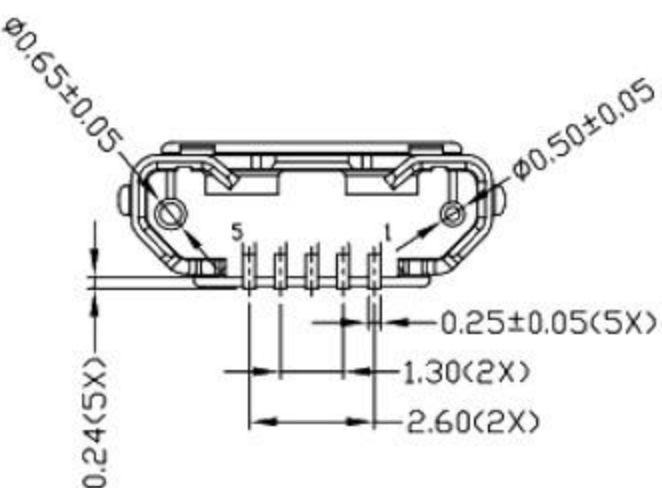


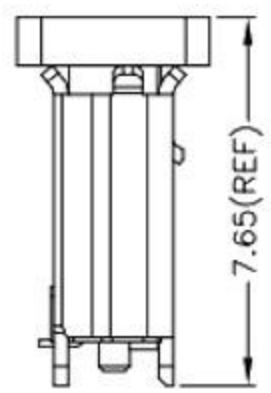
RoHS Compliant



1: Au 1U*
6: Au 30U*
T: TIN
N: NICKEL
W: WHITE
B: BLACK
1: PBT
2: PA6T
3: PA9T
4: LCP



CAP DIMENSION SKETCH MAP



PIN	NAME
5	GND
4	ID
3	D+
2	D-
1	VBUS

RECOMMENDED PCB LAYOUT(TOP VIEW)
DEFAULT TOLERANCE: ±0.05

NO.	PART NAME	QTY	MATERIAL	DESCRIPTION	REMARK
⑤	MID PLATE	1	STAINLESS STEEL	Au . PLATING.	T=0.15mm
④	SHELL	1	STAINLESS STEEL	Au . PLATING.	T=0.30mm
③	TERMINAL-B	1	TABLE 2:	TABLE 2:	T=0.12mm
②	TERMINAL-A	1	TABLE 2:	TABLE 2:	T=0.12mm
①	INSULATOR	1	HIGH TEMP	Black	

UNLESS OTHERWISE, GENERAL TOLERANCE:
X.xxx ±0.10
X.xx ±0.20
X.x ±0.30
X. ±0.38
ANGULAR:
X.xx ±1°
X.x ±3°
X. ±5°

廣東科斯達電子科技有限公司

TITLE: USB connector
P/N: Detail See PART NO. LIST
MODEL:
DRAW NO.:
THIRD ANGLE PROJECTION
UNIT: mm
SCALE: 1:1
SIZE: A4
SHEET: 1/1

ECN NO.	REV.	DESCRIPTION	DATE	CHANGE	APPROVAL	DATE
JH2016-080	X2	隨工程圖上升版本次	2016.06.15	陳少兵	DESIGN	2016.06.15
JH2016-071	X1	新增規格	2016.06.10	陳少兵	CHECK	2016.06.15
20151224001	X	NEW DRAWING	2016.05.05	陳少兵	APPROVAL	2016.06.15