

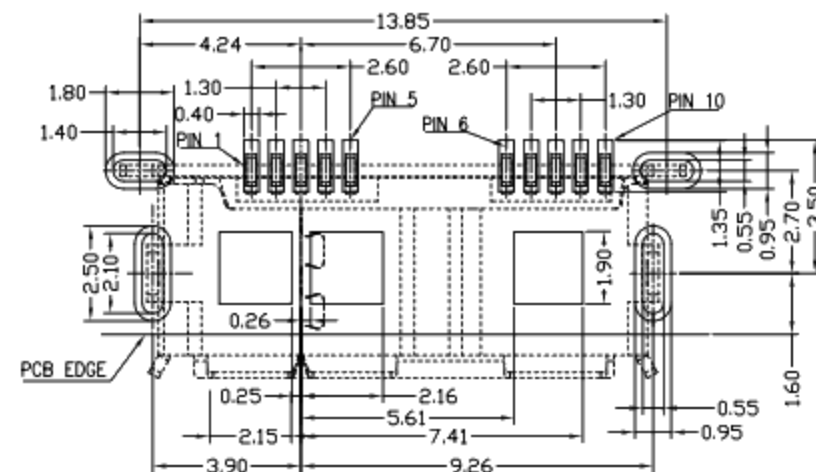


RoHS
Compliant
2002/95/EC

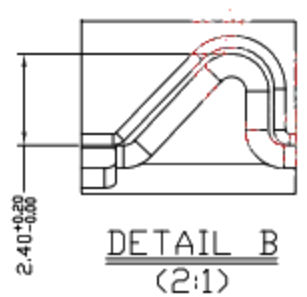
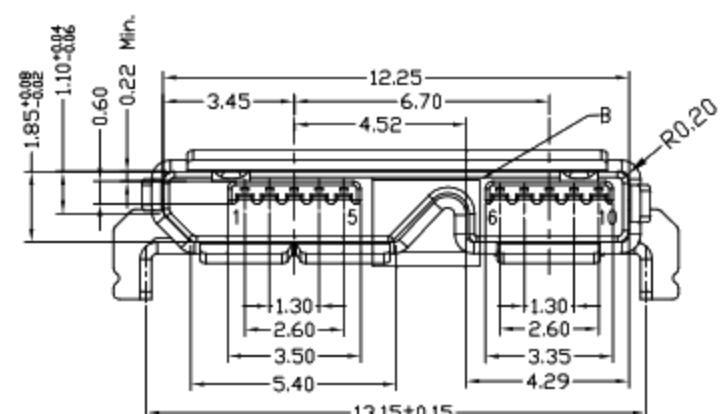
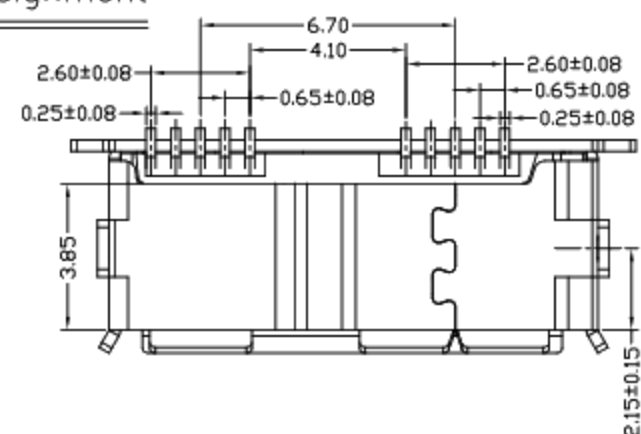
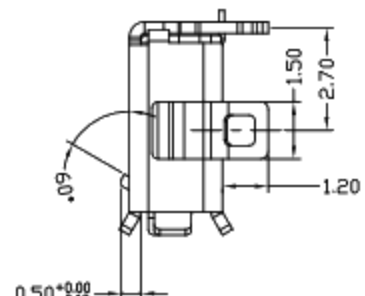
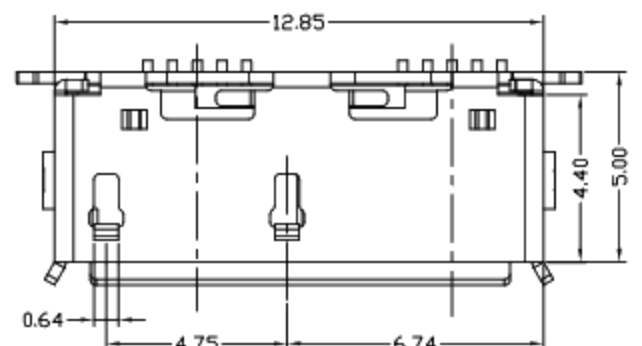
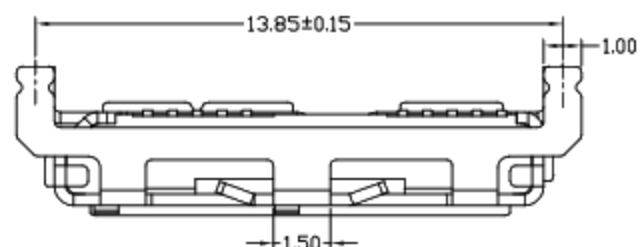
REV	LTR	DESCRIPTION	DATE	REVISER	APPD

Pin No.	Signal Name	Description	Mating Sequence
1	VBUS	Power	Second
2	D-	USB 2.0 differential pair	Last
3	D+		
4	ID	OTG identification	Last
5	GND	Ground for power return	
6	MicA_SSTX-	SuperSpeed transmitter differential pair	Last
7	MicA_SSTX+		
8	GND_DRAIN	Ground for SuperSpeed signal return	Second
9	MicA_SSRX-	SuperSpeed receiver differential pair	Last
10	MicA_SSRX+		
Shell	Shield	Connector metal shell	First

PIN Assignment



RECOMMENDED P.C.B LAYOUT



NOTES:

- ELECTRICAL:**
 - VOLTAGE CURRENT RATING: 1.8AMP, 30V AC;
 - INSULATION RESISTANCE: 100MΩ MIN;
 - CONTACT RESISTANCE: 30mΩ MAX;
 - WITHSTANDING VOLTAGE: 100V AC;
 - OPERATING TEMPERATURE: -25°C TO +85°C.
- Mechanical:**
 - Mating Force: 35N MAX
 - Unmating Force: 10N MIN.
- DIMENSIONS MARKED '▼'**
TO BE CHECKED BY Q.C & IPQC.

4. PART NO.

- 1Au 1U"
- 5Au 15U"
- 6Au 30U"
- W: WHITE
- B: BLACK
- BL: BLUE
- 1PBT
- 2PA6T
- 3PA9T
- 4LCP

Bill of materials:

NO	PARTS	MATERIAL	QTY	FINISHING
5				.X ±0.15
4				.XX ±0.10
3	SHELL	STAINLESS STEEL	1	PLATED NICKEL
2	HOUSING	LCP+30%GF	1	UL94V-0
1	TERMINAL	COPPER ALLOY	10	PLATED GOLD/TIN

UNITS	mm
Ang1°	
SEE NOTE	
SEE NOTE	
Q'TY	

廣東科斯達電子科技有限公司

TITLE: MICRO USB 3.0 B TYPE FEMALE SMT(DIP SHELL) 四脚 脚长1.2	PART NO.:
DR: <i>Ricky</i> 2017/10/06	DWG NO.:
CHKD: <i>Ricky</i> 2017/10/06	SCALE SHEET REV. CUSTOMER DRAWING
APPD:	5:1 1/1 B

THESE DRAWINGS AND SPECIFICATIONS ARE THE PROPERTY OF ACCURATE INNOVATECH INC. AND SHALL NOT BE REPRODUCED, COPIED OR USED IN ANY MANNER WITHOUT THE PRIOR WRITTEN CONSENT OF ACCURATE INNOVATECH INC.